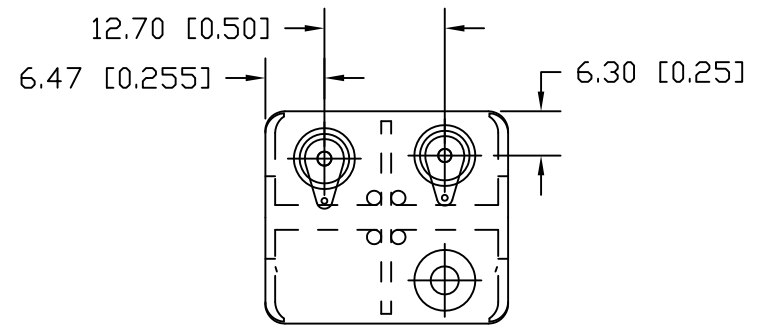
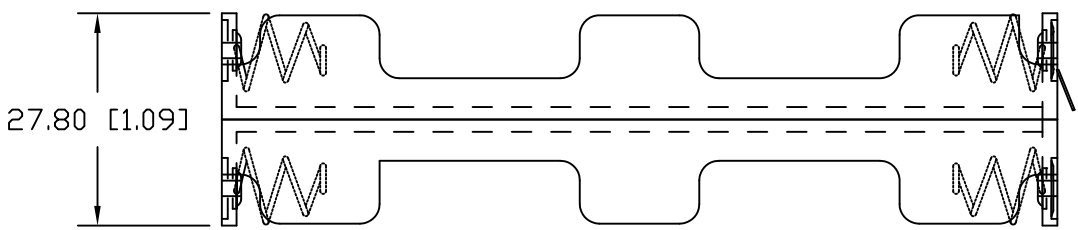
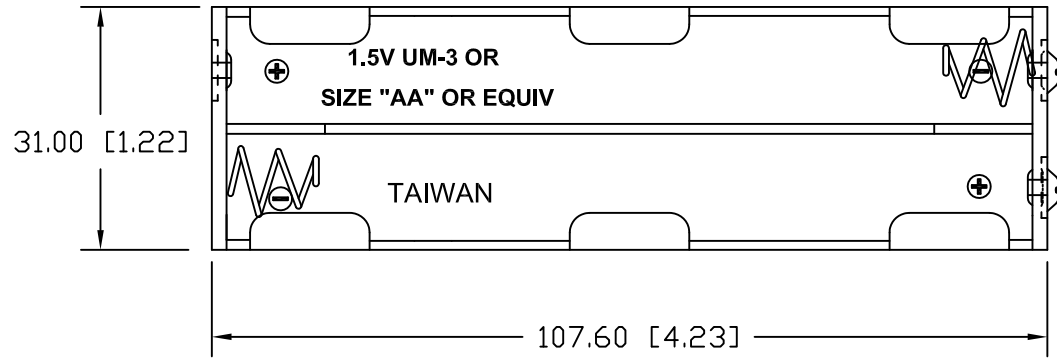



Date	SYM	REVISION RECORD	AUTH	DR.	CK.
07/14/16	C	REDRAWN AND UPDATED TO ROHS 2 COMPLIANT	T.B.	B.S.	
06/27/17	D	DIM. 27.80 WAS 27.50	T.B.	B.S.	



MATERIAL:
 HOUSING: POLYPROPYLENE
 FLAMMABILITY RATING -UL94 HB, UL FILE NO. E216959
 TEMPERATURE RANGE: -10°C to +100°C
 SPRINGS: SPRING STEEL, NICKEL PLATED
 RIVETS: BRASS, NICKEL PLATED
 LUGS: BRASS, NICKEL PLATED
 CONTACT RESISTANCE: UNDER 50mΩ FOR +/- CONTACTS
 PER EIA-540J000
 ROHS 2 COMPLIANT

Tolerance (Inches)	 Memory Protection Devices, Inc 200 Broad Hollow Road, Farmingdale, New York 11735		
Decimal ±.5 (.020)		Scale	Drawn By B.S.
Fractional ±.8 (.030)	Title EIGHT "AA" BATTERY HOLDER WITH SOLDER LUGS		
Angular ± 3°	Date 06/27/17	Drawing Number BH28AAL	
		Approved By T.B.	