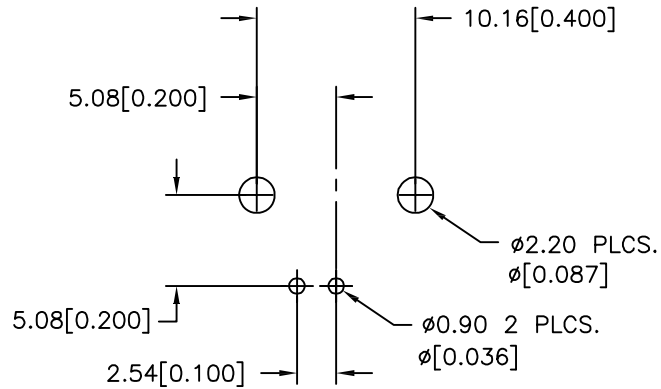
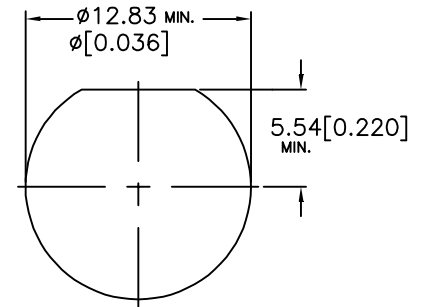


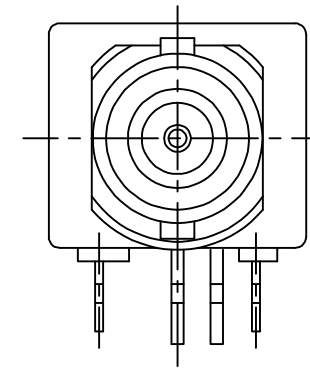
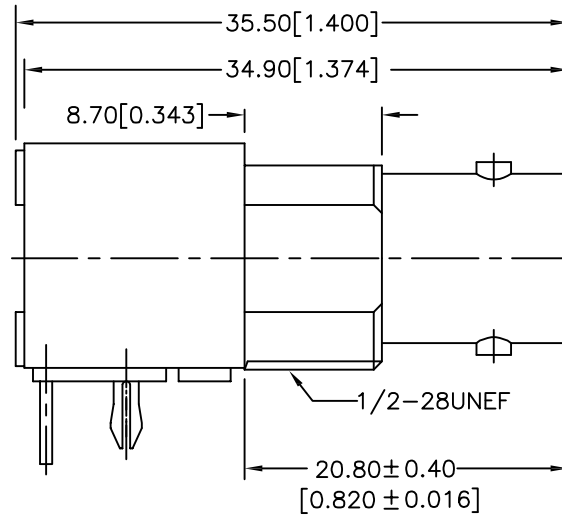
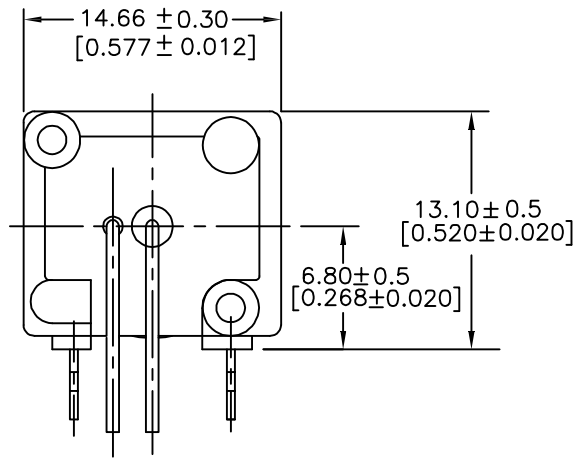
REV.	DATE	ECR NO	DESCRIPTION
A	10/12/95	--	UPDATE DRAWING FORMAT/ MODIFY BODY
B	02/17/10	2012	HARDWARES REMOVED



PCB MOUNTING HOLES



RECOMMENDED MOUNTING HOLE



DESCRIPTION	MATERIAL	FINISH	QTY	DIMENSIONS ARE IN MILLIMETERS UNLESS OTHERWISE SPECIFIED TOLERANCES ARE:	APPROVALS	DATE	Amphenol Connex						
1	BODY	DIECAST	NICKEL		1	DRAWN					CLEMENT	2/17/10	TITLE BNC R/A PC MOUNT RECEPTACLE JACK LOW PROFILE 50 OHMS
2	INSULATOR	PP	NATURAL	1	CHECKED			SIZE	FSCM NO.	DWG. NO.	REV.		
3	CONTACT PIN	PHOSPHOR BRONZE	GOLD	1	ISSUED			A	99001	112487.DWG	B		
								SCALE	2.5:1	PART NO.	112487	SHEET	1 OF 1

DO NOT SCALE DRAWING