

Turn Counting Dial

Model 2696

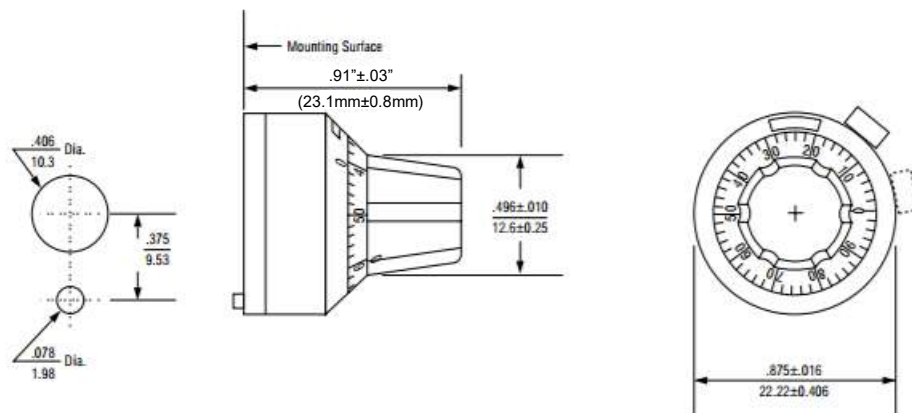


Features:

- 7/8" diameter
- Analog
- For 1/4" shaft

Specifications

Counting Capacity, Maximum Turns	10
Shaft Diameter	1/4"
Bushing Diameter	3/8"
Depth – Maximum from face of panel	0.900"
Shaft Extension – Maximum from face of panel	0.781"
Shaft Extension – Minimum from face of panel	0.620"
Bushing Extension – Maximum from face of panel	0.300"
Locking Mechanism	Positive Action
Weight, nominal	16 grams
Number of set screws	1
Numeral Height	0.050"
Knob Material	Black Plastic
Dial Finish	White Numerals on Black Matte
Housing Finish	Satin Chrome
Operating Temperature Range	-55°C to 71°C



General Note

TT Electronics reserves the right to make changes in product specification without notice or liability. All information is subject to TT Electronics' own data and is considered accurate at time of going to print.

TT Electronics | BI Technologies
 Circulo de la Amistad #102 PIMSA IV Mexicali B.C. Mexico C.P 21210
 Ph: + 1 (714) 447-2345
www.ttelectronics.com/bi-technologies