

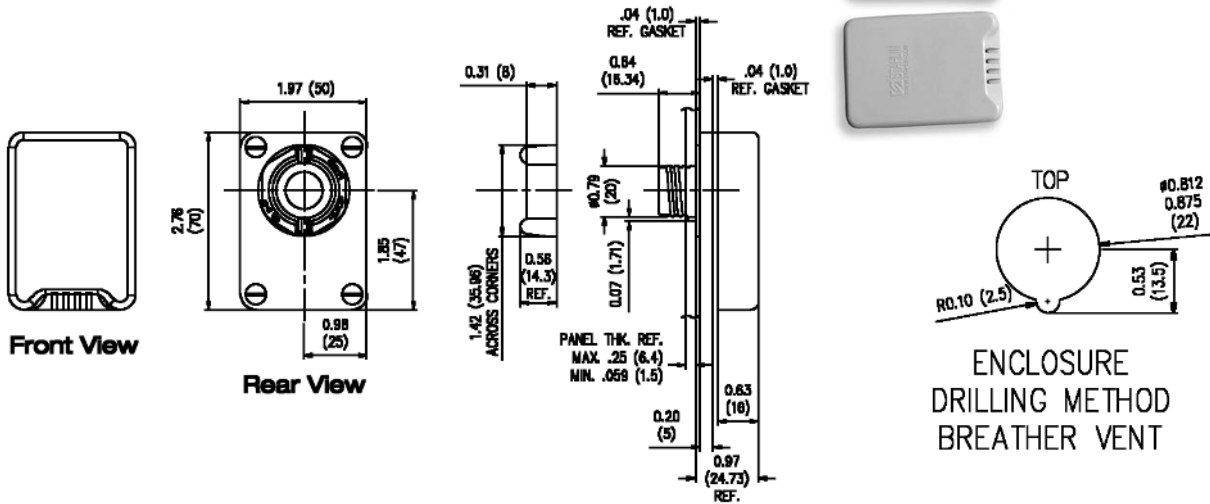
# General Accessories

**Robroy** enclosures are created in standard forms and shapes, but the ability to customize into unique end user configurations may be the single best reason to buy **Robroy** products. Certain accessories are available by part number and can be added at the time of the enclosure purchase, or added later as a separate item.

By comparison, modifications are considerably more complex and end user specific and they must be implemented before the enclosure leaves the factory. All items listed as **Accessories** are available as separately priced items.

## Breather Vent – 4X

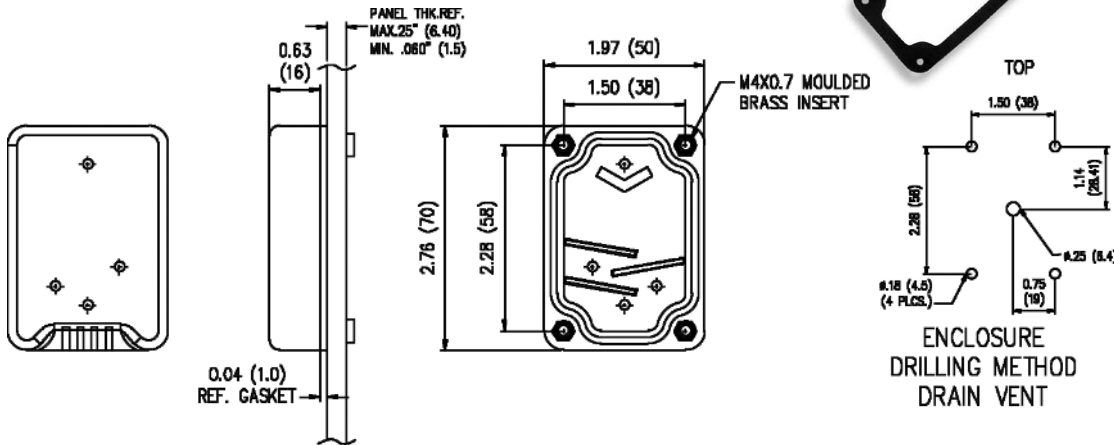
Robroy's non-metallic Breather Vent allows an enclosure to "breathe" – literally allowing the free passage of air while maintaining UL Type 4X enclosure integrity as a recognized component.



CATALOG NUMBER
REBV4XKIT

## Drain Vent – 4X

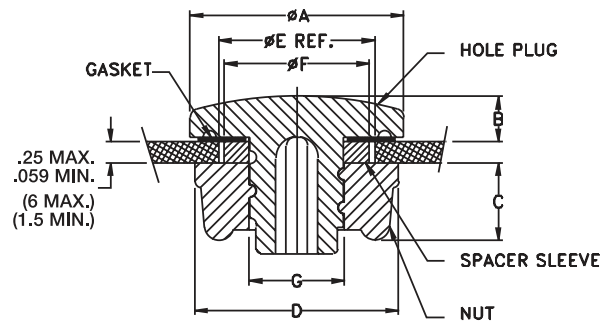
Robroy's new non-metallic Drain Vent reliably protects electrical equipment housed inside an enclosure by properly draining unwanted moisture or accumulated water from within, while maintaining UL Type 4X enclosure integrity as a recognized component.



CATALOG NUMBER
REDV4XKIT

# Pluggit!®

- Superior corrosion resistance compared to rust-prone carbon steel and other metallic alternatives helps ensure increased enclosure life expectancy.
- Cost effective when compared to either carbon or stainless steel alternatives.
- Considerably better long-term resistance to UV degradation versus UV-susceptible soft rubber plugs that turn brittle from extreme temperature variations and repeated UV exposure.
- Will not create galvanic corrosion associated with dissimilar metals sometimes used in electrical enclosures.
- Maintains all chemical resistance features of current AttaBox products.
- Flame retardant material to UL 94V-0.
- A submersion/hosedown rated component for use in electrical enclosures UL recognized to type 4X and 6P.
- IEC tested to IP66 and IP68.
- Temperature Rating: -26°F to +257°F (-32°C to +125°C)

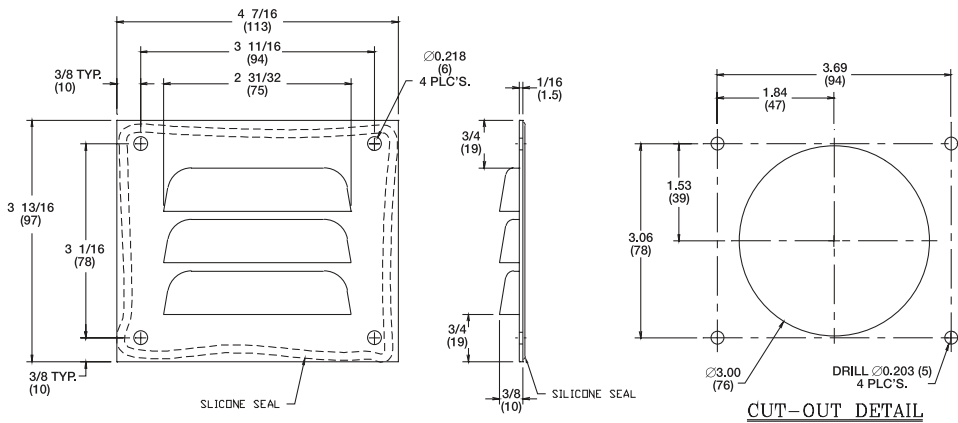


## PLUGGIT!®

KIT NUMBER	ØA	B +0.05" -0.00"	C	D ACROSS FLATS	ØG	CONFIG.	ØE REF. - NOM. HOLE DIA. RANGE	ØF	COMMON INDUSTRY APPLICATIONS
REHP SERIES 1	1.00" (25.40)	0.22" (5.59)	0.35" (8.89)	0.88" (22.35)	0.44" (11.18)	CONFIG 1	0.50" - 0.56" (12.70 - 14.29)	N/A	1/2" Dia. Hole
						CONFIG 2	0.63" - 0.69" (16.00 - 17.46)	0.56" (14.22)	5/8" Dia. Hole
						CONFIG 3	0.75" - 0.81" (19.05 - 20.64)	0.68" (17.27)	3/4" Dia. Hole
REHP SERIES 1.5	1.20" (30.48)	0.22" (5.59)	0.33" (8.38)	1.04" (26.39)	0.81" (20.57)	CONFIG 3.5	0.88" (22.35)	N/A	1/2" Conduit
REHP SERIES 2	1.50" (38.10)	0.22" (5.59)	0.38" (9.63)	1.38" (35.05)	0.85" (21.59)	CONFIG 4	0.88" - 1.00" (22.35 - 25.40)	N/A	1/2" Conduit 22mm PB
						CONFIG 5	1.06" - 1.12" (26.92 - 28.45)	1.03" (26.16)	3/4" Conduit
						CONFIG 6	1.22" - 1.28" (30.73 - 32.51)	1.19" (30.22)	30mm PB
REHP SERIES 3	2.00" (50.80)	0.22" (5.59)	0.38" (9.63)	1.88" (47.75)	1.35" (34.29)	CONFIG 7	1.38" - 1.50" (35.05 - 38.10)	N/A	1" Conduit
						CONFIG 8	1.69" - 1.75" (42.67 - 44.45)	1.65" (41.91)	1-1/4" Conduit
REHP SERIES 4	2.75" (69.85)	0.22" (5.59)	0.41" (10.41)	2.63" (66.67)	1.97" (50.04)	CONFIG 9	2.00" - 2.12" (50.80 - 53.85)	N/A	1-1/2" Conduit
						CONFIG 10	2.50" - 2.56" (63.50 - 65.09)	2.44" (61.89)	2" Conduit
REHP SERIES 5	3.38" (85.85)	0.22" (5.59)	0.34" (8.63)	3.38" (85.85)	2.97" (75.44)	CONFIG 11	3.00" (76.20)	N/A	2-1/2" Conduit
REHP SERIES 6	4.00" (101.60)	0.22" (5.59)	0.34" (8.63)	4.00" (101.60)	3.59" (91.19)	CONFIG 12	3.62" (91.95)	N/A	3" Conduit
REHP SERIES 7	4.50" (114.30)	0.22" (5.59)	0.38" (9.63)	4.50" (114.30)	4.09" (103.88)	CONFIG 13	4.12" (104.65)	N/A	3-1/2" Conduit
REHP SERIES 8	5.00" (127.00)	0.22" (5.59)	0.41" (10.41)	5.00" (127.00)	4.59" (116.58)	CONFIG 14	4.62" (117.35)	N/A	4" Conduit

# General Accessories

## Louver Plate Vent



CATALOG NUMBER

**REL P1**

**REHPK3KIT**

Note: Kit includes LP1 plus silicone pack and four rivets.



## Vent



CATALOG NUMBER	DESCRIPTION
<b>AH-V60</b>	Small Vent (60mm)
<b>AH-V80</b>	Large Vent (80mm)

## Drain & Vent



CATALOG NUMBER
<b>REDV1PVC</b>
<b>REDVK3KIT</b>

Note: Kit includes DV1PVC plus silicone pack and four rivets.

## Stainless Steel Screws



CATALOG NUMBER	SERIES	TYPE
<b>2PKSSCE*</b>	CE	Cover
<b>4PKBPSS**</b>	FR, CE	Back Panel
<b>4PKBPST**</b>	T	Back Panel
<b>6PKBPST**</b>	T	Back Panel
<b>8PKBPST**</b>	T	Back Panel

Note: \* includes cover screws and o-rings.

\*\* includes back panel screws and washers.

## Vapor Capsule



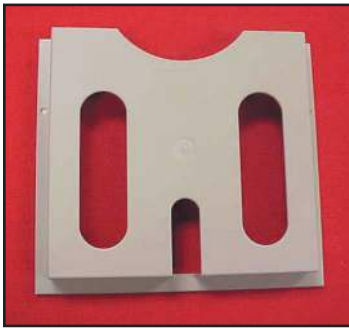
Robroy Vapor Capsules contain a unique vapor phase inhibitor designed to protect metallic surfaces within an enclosure against airborne corrosion.

CATALOG NUMBER

**REVC21**

Note: Radius of Protection: 2 ft.  
Normal Life Span: 1 yr.

## Plastic Print Pocket



Robroy's Print Pocket is self adhesive and can be utilized to store prints or other important documents within the enclosure.

CATALOG NUMBER

**REPRTPKT**

HEIGHT

9.3"

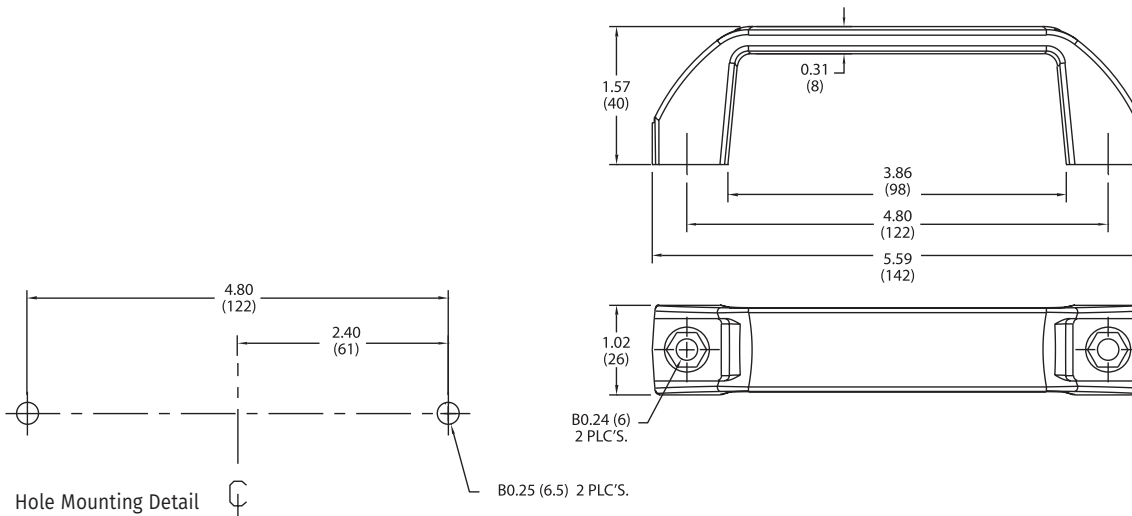
WIDTH

10.4"

DEPTH

1.2"

## Mountable Carrying Handle



CATALOG NUMBER

**RECH109506**

## Pole Mount



Kit fits enclosure side that will be mounted perpendicular to pole. Comes with top and bottom flanges, stainless steel straps, and mounting screws.

CATALOG NUMBER

**PM6-8**

**PM10-12**

**PM14-16**

**PM18-24**