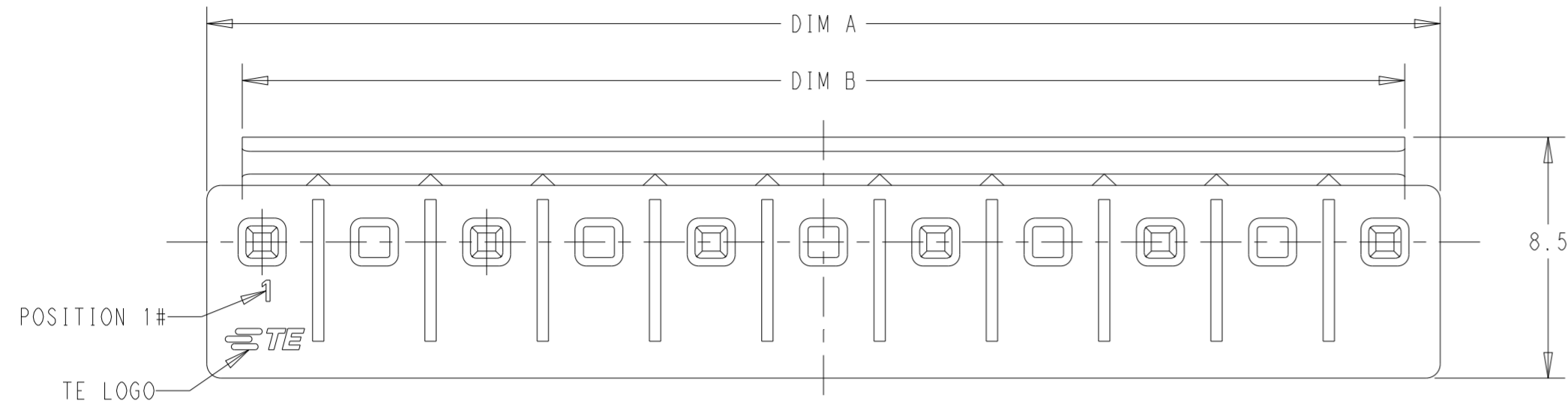
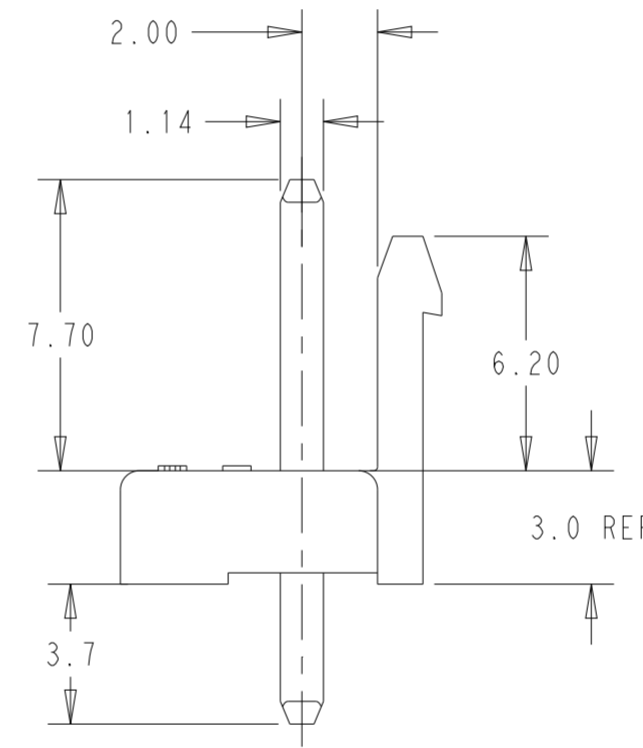
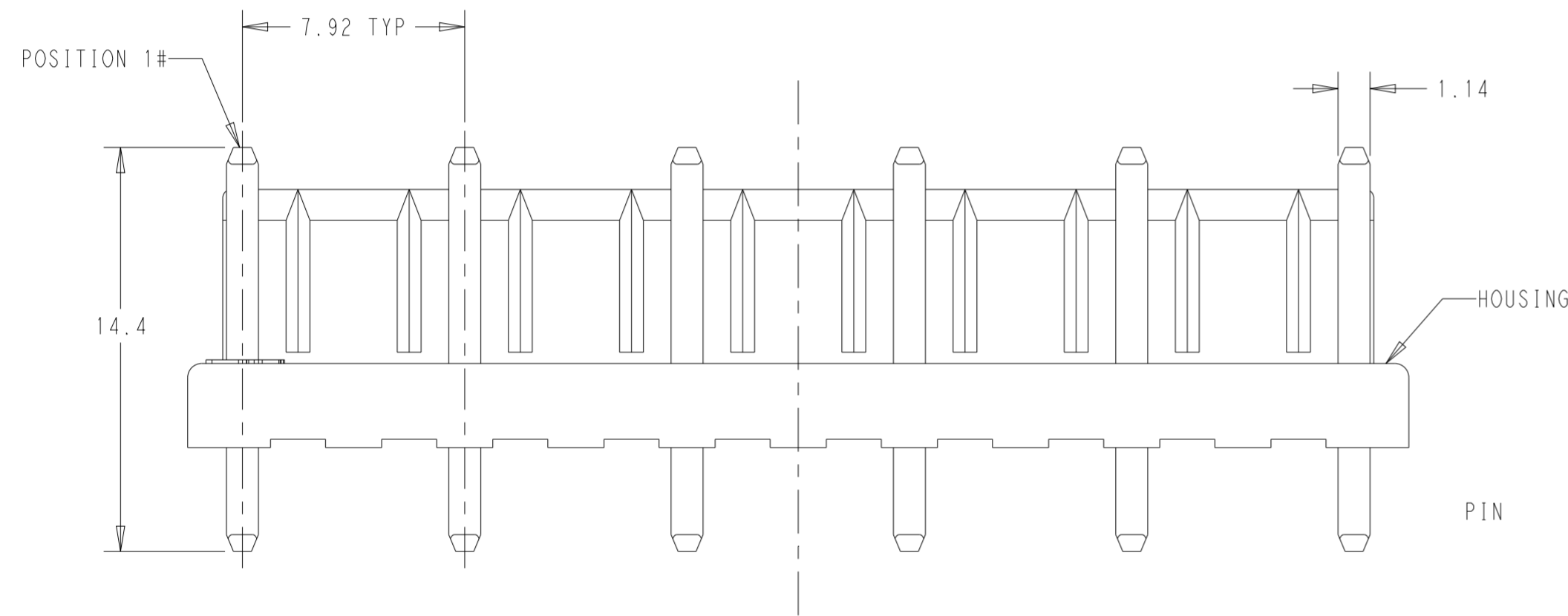


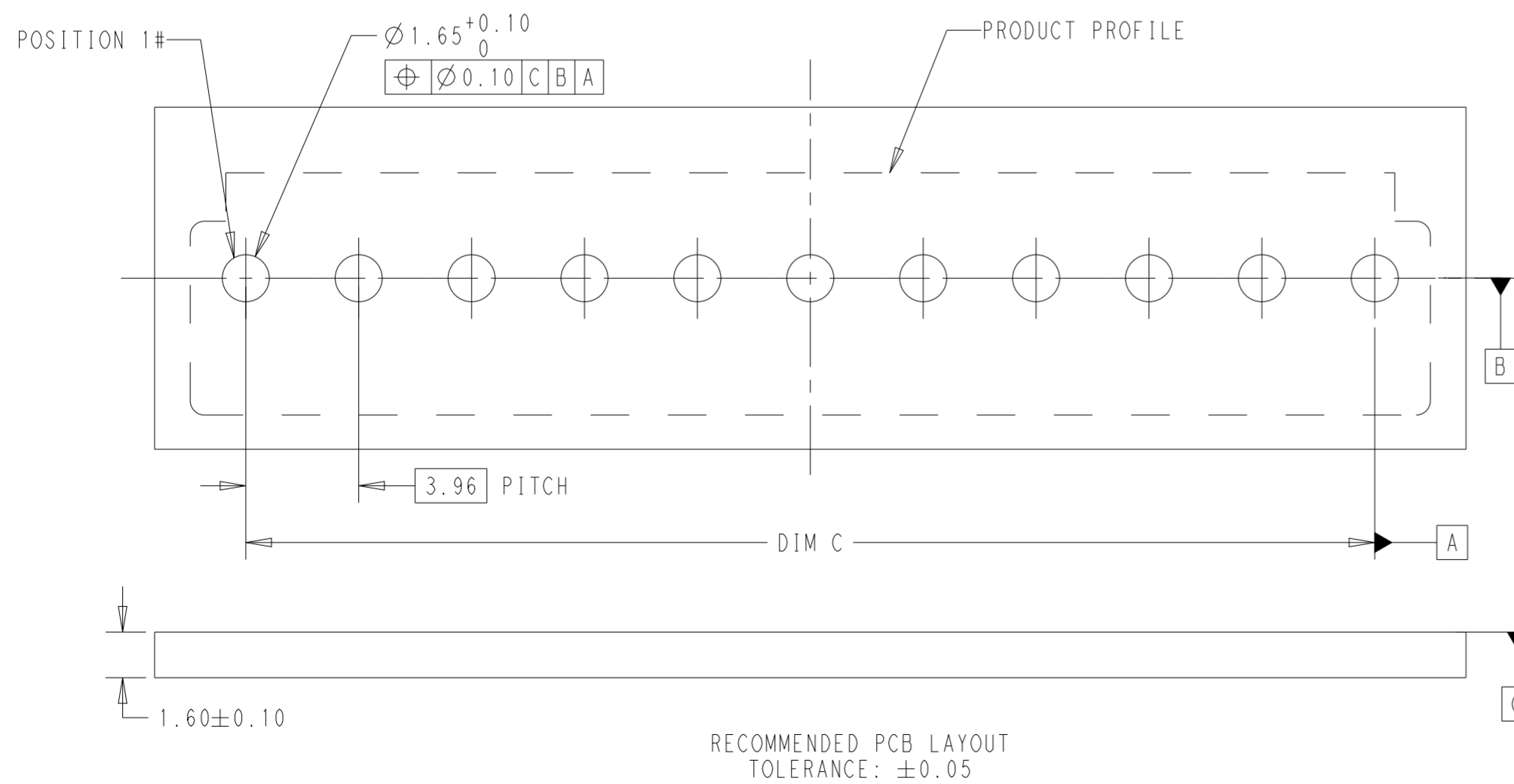
P	LTR	DESCRIPTION	DATE	DWN	APVD
A		REVISED PER ECN-22-148313	12APR2022	WH	LC
A1		ADD NEW PART PER ECR-22-142915	29JUN2022	NH	LC



- 1 MATERIAL:  
HOUSING: HIGH PERFORMANCE RESIN, UL94-V0 COLOR: NATURAL  
PIN CONTACT: COPPER ALLOY, 2.0µm MIN TIN OVERALL
- 2. DIMENSIONS SHOWN REPRESENT PRODUCT IN DRY, AS MOLDED, CONDITION.
- 3. RECOMMENDED MATING PART: [ ]-2371377-[ ]
- 4. PACKAGING: LOOSE PIECE
- 5. PER IEC 60335-1 SECT. 30, GWEPT 750°C, NO FLAME-OR Te-Ti<2S
- 6 O: WITH PIN  
X: WITHOUT PIN



2375269-6 SHOWN

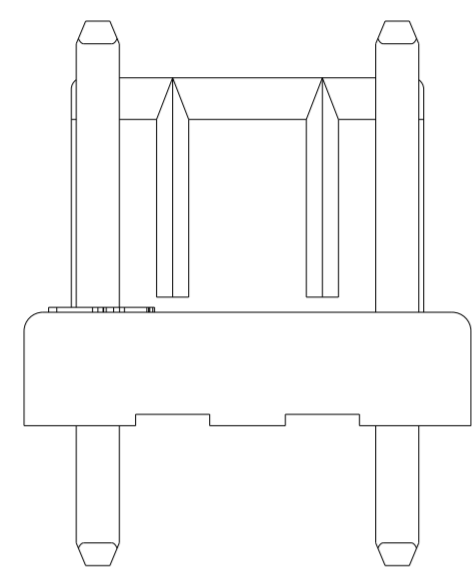


1	2	3	4	5	6	7	8	9	10	11	DIM C	DIM B	DIM A	POSTION	PART NO.
0	0	X	X	0							15.84	17.24	19.74	5	1-2375269-5
0	X	0	0	X	0						19.80	21.20	23.70	6	1-2375269-6
0	X	0	X	0	X	0	X	0	X	0	39.60	41.00	43.50	11	2375269-6
0	X	0	X	0	X	0	X	0			31.68	33.08	35.58	9	2375269-5
0	X	0	X	0	X	0					23.76	25.16	27.66	7	2375269-4
0	X	0	X	0							15.84	17.24	19.74	5	2375269-3
0	X	0									7.92	9.32	11.82	3	2375269-2

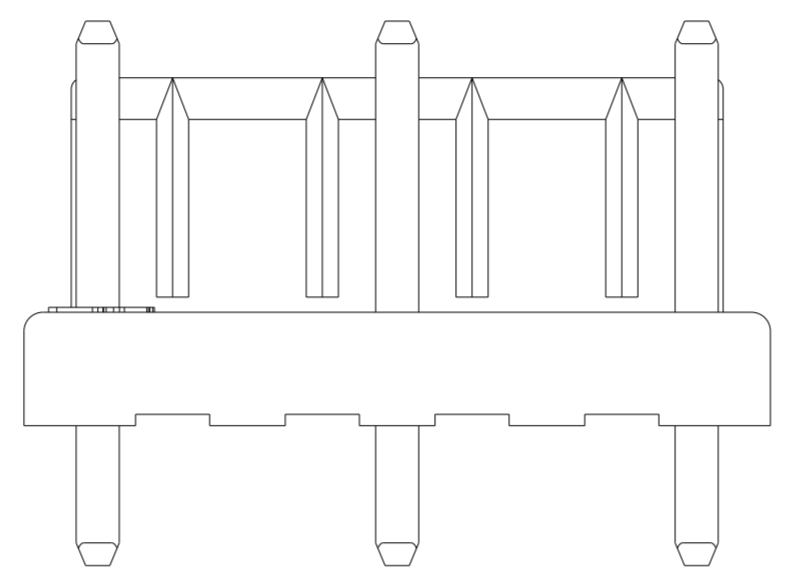
THIS DRAWING IS A CONTROLLED DOCUMENT.

DIMENSIONS: mm	TOLERANCES UNLESS OTHERWISE SPECIFIED: 0 PLC ±0.5 1 PLC ±0.30 2 PLC ±0.30 3 PLC ± 4 PLC ± ANGLES ± FINISH	DWN: W HUP 04FEB2022 CHK: L CHEN 07FEB2022 APVD: D. ZHANG 07FEB2022	TE Connectivity
MATERIAL: 1		PRODUCT SPEC: 108-2297 APPLICATION SPEC: 114-13265	NAME: HEADER ASSEMBLY, UNSHROUDED, GWT SELECTIVE PIN, SINGLE ROW, EP3.96
		WEIGHT: -	SIZE: A2 CAGE CODE: 00779 DRAWING NO: C-2375269 RESTRICTED TO: -
		CUSTOMER DRAWING	SCALE: 5:1 SHEET: 1 OF 2 REV: A1

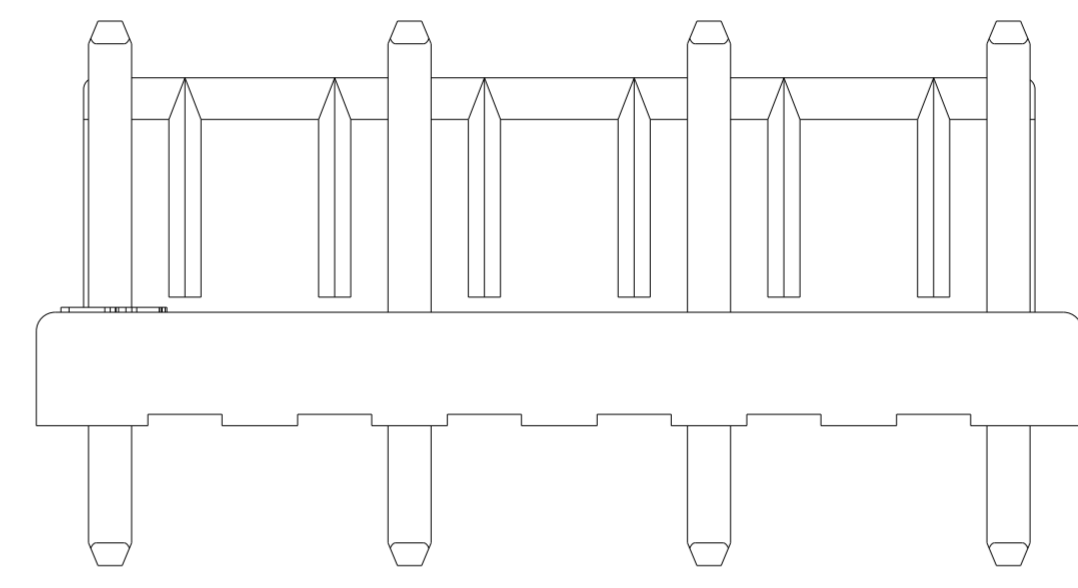
REVISIONS				
P	LTR	DESCRIPTION	DATE	APVD
-		SEE SHEET 1	-	-



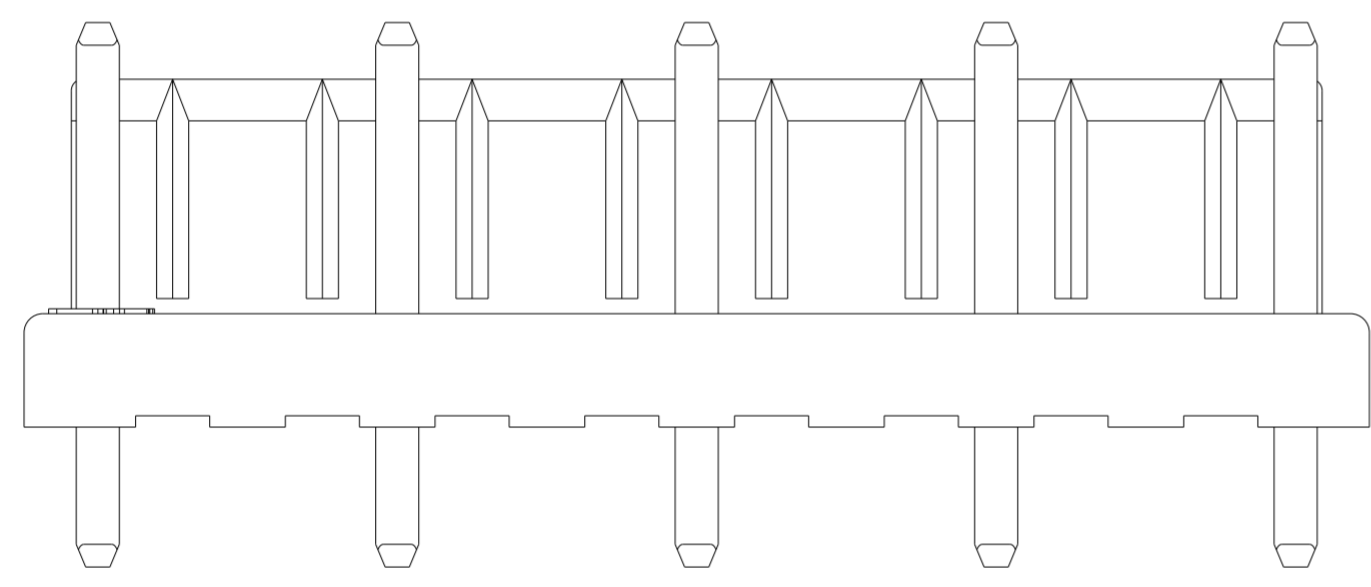
2375269-2  
3P OMITTED 2



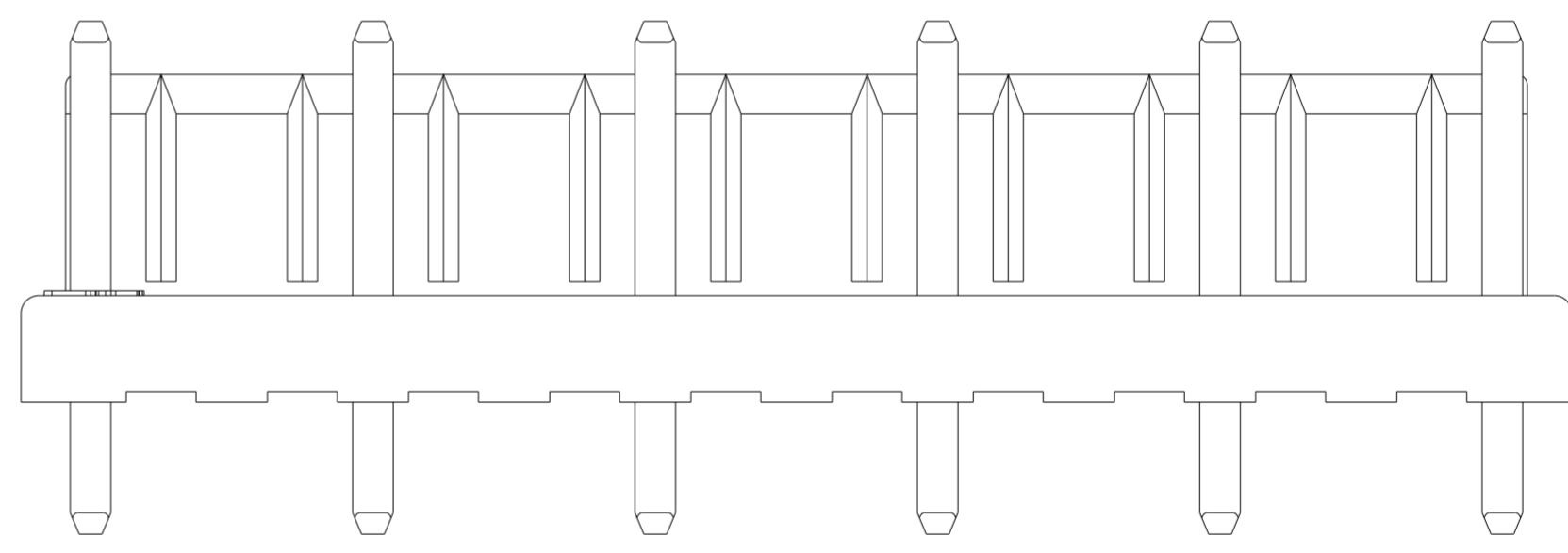
2375269-3  
5P OMITTED 2&4



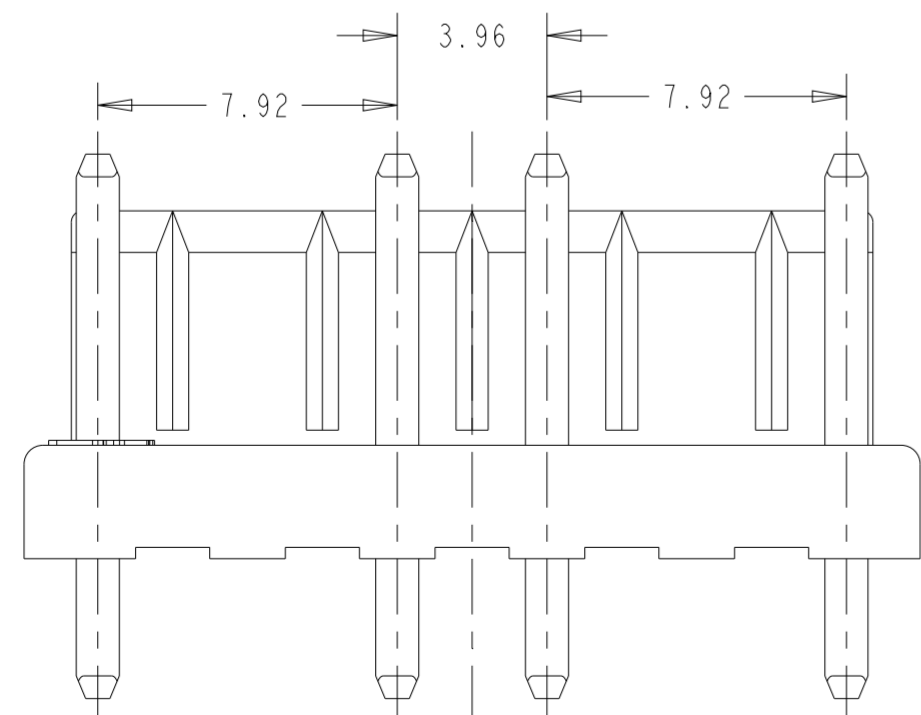
2375269-4  
7P OMITTED 2,4&6



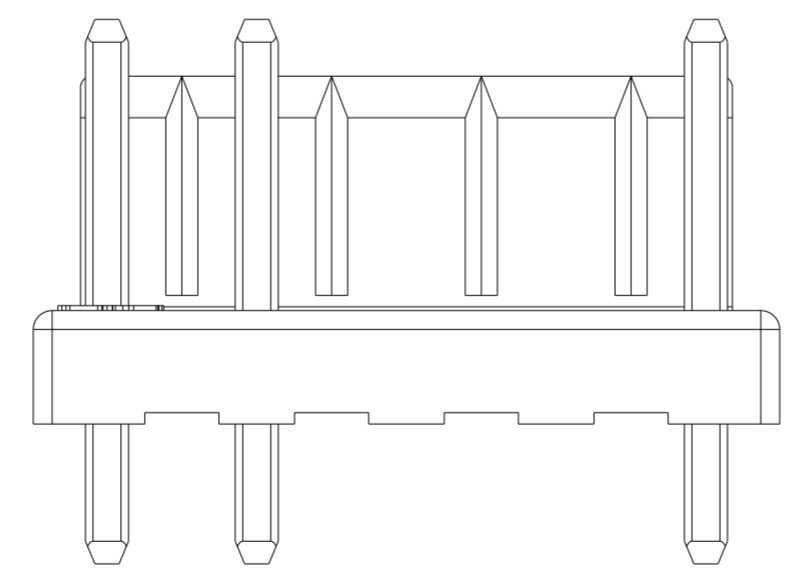
2375269-5  
9P OMITTED 2,4,6&8



2375269-6  
11P OMITTED 2,4,6,8&10



1-2375269-6  
6P OMITTED 2&5



1-2375269-5  
5P OMITTED 3&4

THIS DRAWING IS A CONTROLLED DOCUMENT.

DWN	W. HUP	04FEB2022	 TE Connectivity
CHK	L. CHEN	07FEB2022	
APVD	D. ZHANG	07FEB2022	
DIMENSIONS: mm			NAME
TOLERANCES UNLESS OTHERWISE SPECIFIED: 0 PLC ± 1 PLC ±0.5 2 PLC ±0.30 3 PLC ± 4 PLC ± ANGLES ± FINISH ±			HEADER ASSEMBLY, UNSHROUDED, GWT SELECTIVE PIN, SINGLE ROW, EP3.96
			PRODUCT SPEC 108-2297 APPLICATION SPEC 114-13265
MATERIAL			SIZE A2
			CAGE CODE 00779
CUSTOMER DRAWING			DRAWING NO C-2375269
SCALE 5:1			RESTRICTED TO -
SHEET 2 OF 2			REV A1