

NEW



1.0mm Pitch Bay Connector

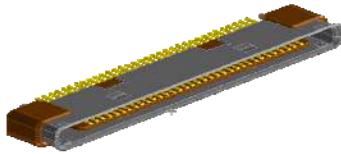
CONNECTOR

MB-0090-3

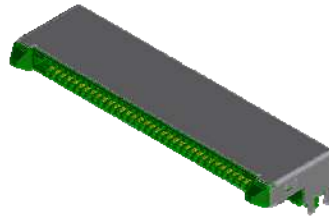
July 2006

WM1 Series

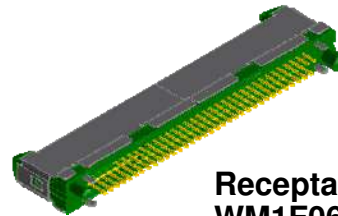
RoHS Compliant



**Plug (Drive side)
WM1M068USA**



**Receptacle
WM1F068NSA**



**Receptacle
WM1F068USA**

The WM1 Series bay connectors realizes 1.0mm pitch while supporting USB2.0.

Features

- 1.0mm pitch, 68 pos. bay connector supporting USB2.0 in addition to IDE signals.
- Metal shell used for EMI prevention.
- Low profile board-to-board bay connector with 5.55mm connector height.
- Supports hot plug by using a 2-level hot plug structure on plug side (WM1M068USA)
2 types of valid connection lengths, 2.9mm and 2.5mm, for contacts to support 2 levels of hot plug (difference in level: 0.4mm).
- Plug side of WM1M068USA and receptacle side of WM1F068USA both equip positioning bosses to support through hole reflow.
- 12.8 mm mating depth.
- Plug side of WM1M068USA supports Interposer boards (SLB-XDE-1, -TMK-1).
- Superior positioning error absorption structure
Insertion guide is used to absorb errors during drive insertion and removal.
Width: ± 2.0 mm, height: ± 2.0 mm
- Lifetime: 5,000 times achieved
- Products available in 0.1 μ m and 0.76 μ m Au plating thickness for connection area, ensures high reliability
- No polar characteristics are applied to keys.

General Specifications

- | | |
|--|---|
| ■ No. of contacts : 68 pos. | ■ Rated current: 0.5A per pin |
| ■ Contact resistance:
60m ohm max. | ■ Insulation resistance:
100M ohm min. |
| ■ Dielectric withstanding voltage:
AC250Vr.m.s per minute | ■ Lifetime: 5000 times |
| ■ Contact pitch: 1.0mm | ■ Rated voltage: AC125Vr.m.s |
| ■ Operating temperature:
-40 Deg. C to +85 Deg. C | |

Materials and Finishes

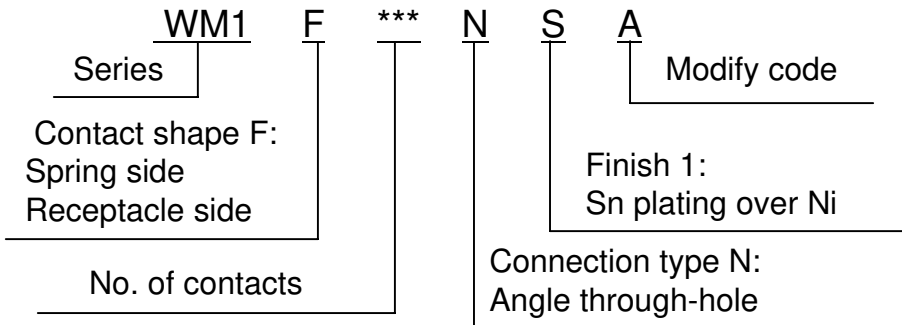
WM1F068NSA / WM1F068USA

Components	Materials	Finishes
Base insulator	Heat resistant plastic glass filled LCP	No (UL94V-0 Black)
Connector	Copper alloy	Contact: Au plating Terminal: Sn type plating
Shell	Stainless steel	Ni plating

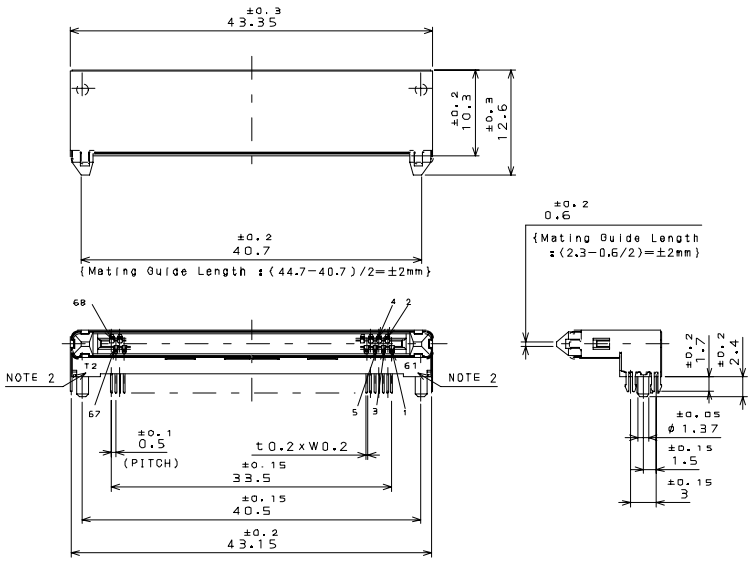
WM1M068USA

Components	Materials	Finishes
Base Insulator	Heat resistant plastic glass filled LCP	No (UL94V-0 Black)
Contact	Copper alloy	Contact: Au plating Terminal: Sn type plating
Shell	Steel	Ni plating

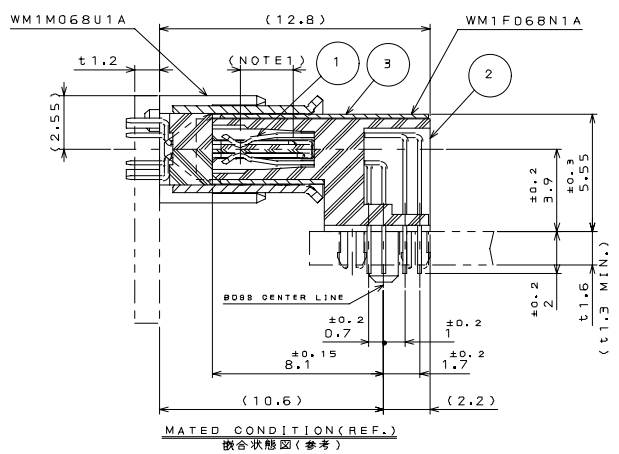
Ordering Information



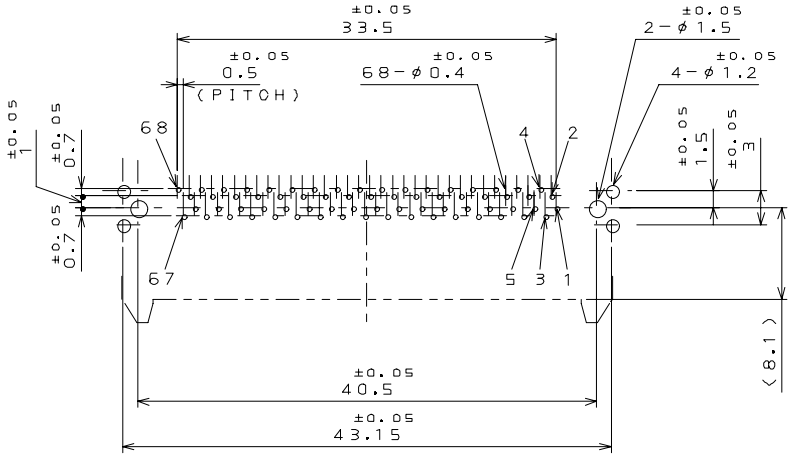
Part Number	WM1F068NSA
SJ Drawing	SJ100986



Drawing when mated
(for reference)



Applicable Dimension
of board (for reference)



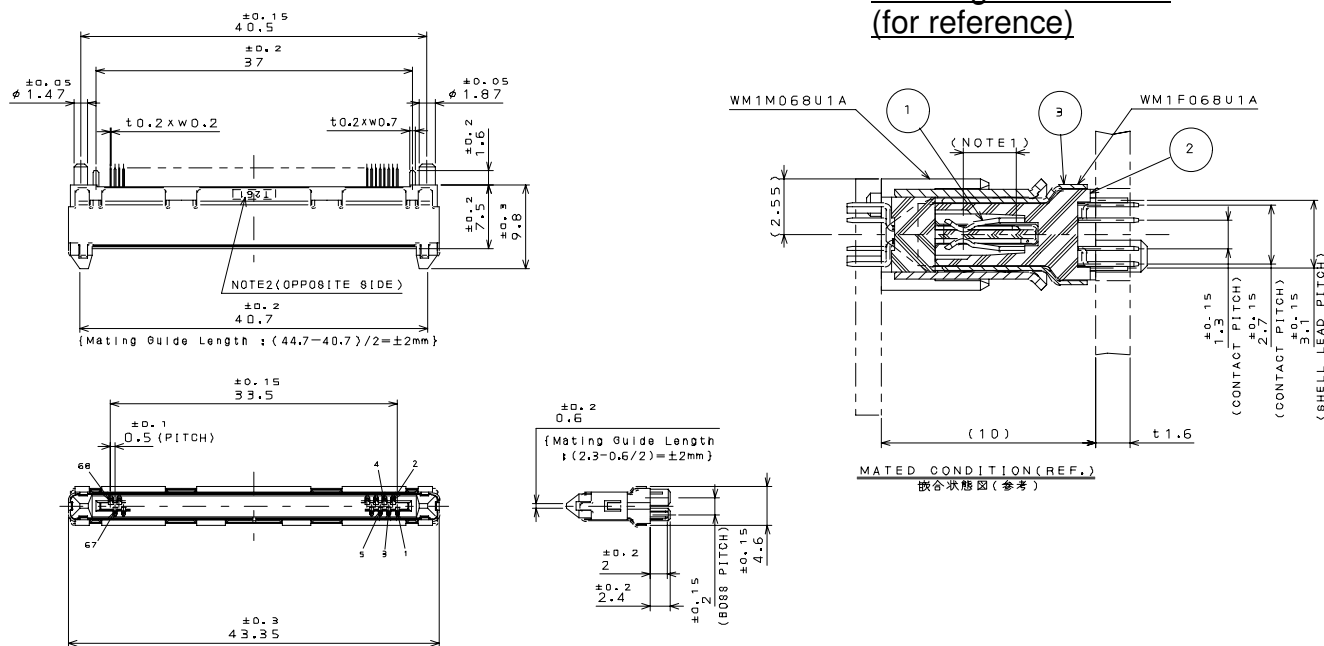
APPLICABLE P.C.B. DIMENSION (REF. NOTE 3)

Ordering Information

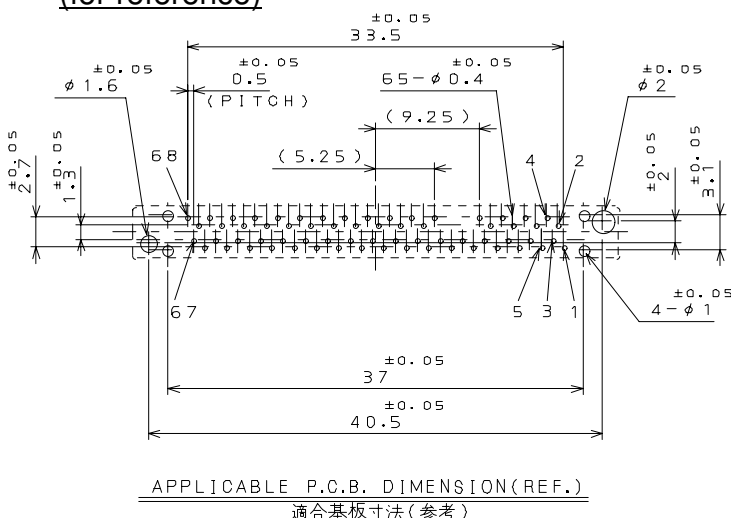
Series WM1 F ***
Contact shape F:
 Spring side, Receptacle side
No. of contacts U
Modify code S A
Finish 1: Sn plating over Ni
Connection type U:
 Straight through-hole/
 with positioning boss

Part Number	WM1F068USA
SJ Drawing	SJ101159

Drawing when mated (for reference)



Applicable dimension of board (for reference)



Notice: Products shown in this leaflet are made for the applications listed below. However, if the above-mentioned products are to be used in aerospace devices, marine cable-connection devices, atomic power control systems, medical equipment for life-support systems, or any other specific application requiring extremely high reliability, please contact JAE for further information.

Recommended applications: Computers, Office machines, Measuring devices, Telecommunication devices (Terminals, Mobile devices), AV devices, Household applications, FA devices, etc.

Product Marketing Division
 Aobadai Building, 3-1-19, Aobadai, Meguro-ku, Tokyo 153-8539
 Phone: +81-3-3780-2787 FAX: +81-3-3780-2946