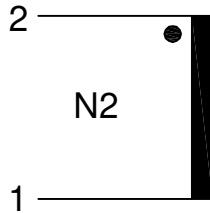


| | |
|----------------------|-------------------------|
| Product Type | Current transformer 30A |
| AMGIS Part Number | ASM-030 |
| Customer Part Number | |
| Customer | |

SCHEMATIC:



ELECTRICAL SPECIFICATION:

- Rated input current : 1 - 30 Amps
- Primary to Secondary isolation : 2500VAC
- Operating frequency : 50 / 60Hz
- Operating temperature range : -40°C to +120°C

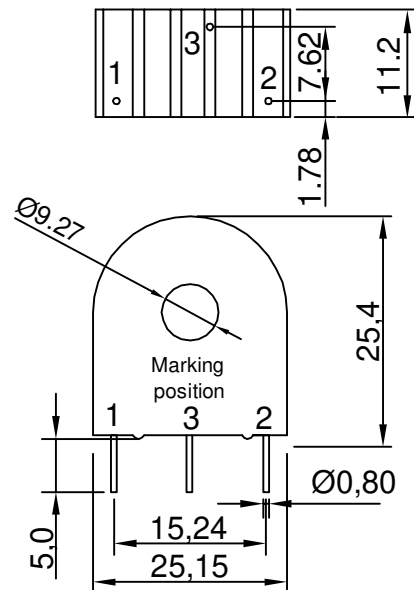
LOAD TEST DETAILS:

$I_p=30A$
 $R_L=220\Omega$
 $U_s=55mV\pm 10\%$

MARKING INFORMATION:

AMGIS
 YY/Wk code ASM-030

MECHANICAL DIMENSIONS:



All dimensions are in mm
 Linear dimensional tolerance $\pm 0.2mm$

Pin 3 dummy pins

| | | | | |
|------------------|-------|-----|----------|------------|
| -----Issued----- | 1 | 0 | Anidha.K | 04-Nov '10 |
| Changes | Issue | Rev | Initial | Date |