



AMP

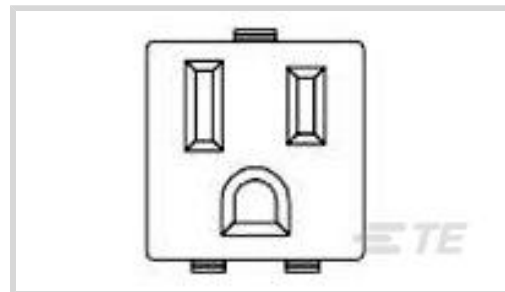
TE Internal #: 1-208979-1

Panel & PCB Outlets, Wire & Cable, 15 A, Gray, 14 AWG / 12 AWG

Wire Size, Nylon, Height 1.06 in [26.9 mm], Width 1.06 in [26.9 mm]

[View on TE.com >](#)

Connectors > Power Connectors > Panel & PCB Outlets



Connector System: **Cable-to-Panel**

Number of Positions: **3**

Centerline (Pitch): **12.7 mm [.5 in]**

Connector & Contact Terminates To: **Wire & Cable**

Contact Current Rating (Max): **15 A**

**Features**

**Product Type Features**

Connector System	Cable-to-Panel
Connector & Contact Terminates To	Wire & Cable

**Configuration Features**

Number of Positions	3
---------------------	---

**Body Features**

Cover Material	Nylon
Cover Color	Black

**Contact Features**

Contact Base Material	Brass
Contact Current Rating (Max)	15 A

**Termination Features**

Termination Method to Wire & Cable	FASTON Tab
------------------------------------	------------

**Mechanical Attachment**

Connector Mounting Type	Panel Mount
-------------------------	-------------

**Housing Features**

Centerline (Pitch)	12.7 mm[.5 in]
Housing Color	Gray
Housing Material	Nylon



### Dimensions

Wire Size	12 AWG, 14 AWG
Product Height	26.9 mm[1.06 in]
Product Width	26.9 mm[1.06 in]
Product Depth	30.3 mm[1.19 in]

### Usage Conditions

Operating Temperature Range	-40 – 110 °C[-40 – 230 °F]
-----------------------------	----------------------------

### Operation/Application

Circuit Application	Power
---------------------	-------

### Other

Power Connectors Comment	Unassembled receptacle kit with cover.
--------------------------	--

## Product Compliance

[For compliance documentation, visit the product page on TE.com>](#)

EU RoHS Directive 2011/65/EU	Compliant
EU ELV Directive 2000/53/EC	Compliant
China RoHS 2 Directive MIIT Order No 32, 2016	No Restricted Materials Above Threshold
EU REACH Regulation (EC) No. 1907/2006	Current ECHA Candidate List: JUNE 2023 (235) Candidate List Declared Against: JAN 2023 (233) Does not contain REACH SVHC
Halogen Content	Low Halogen - Br, Cl, F, I < 900 ppm per homogenous material. Also BFR/CFR/PVC Free
Solder Process Capability	Not applicable for solder process capability

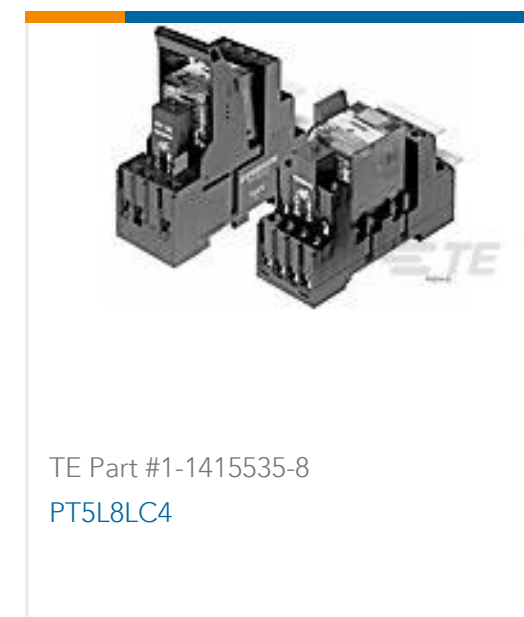
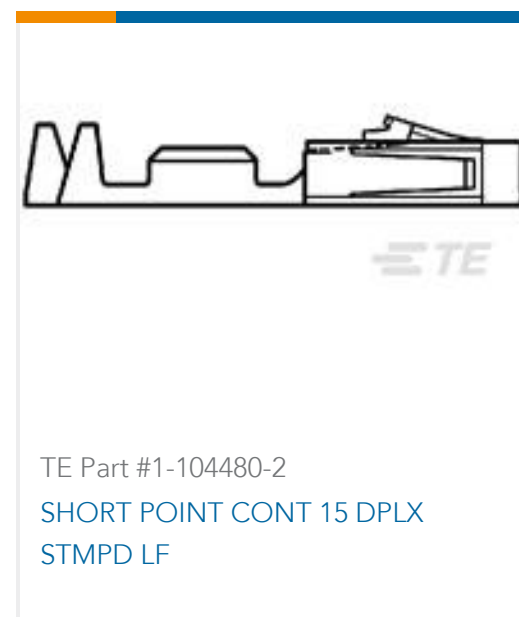
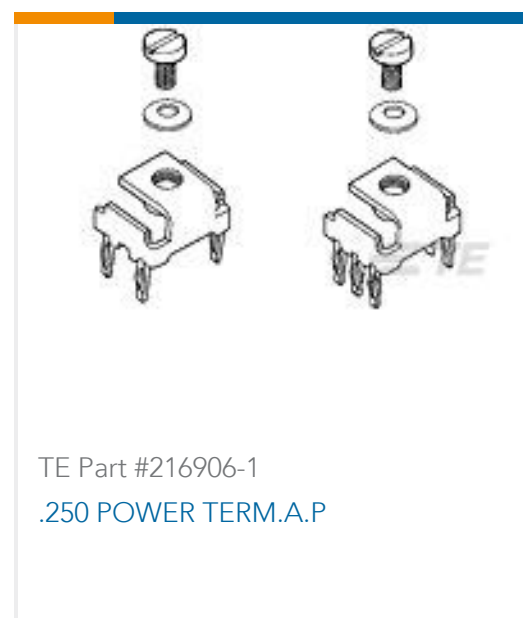
#### Product Compliance Disclaimer

This information is provided based on reasonable inquiry of our suppliers and represents our current actual knowledge based on the information they provided. This information is subject to change. The part numbers that TE has identified as EU RoHS compliant have a maximum concentration of 0.1% by weight in homogenous materials for lead, hexavalent chromium, mercury, PBB, PBDE, DBP, BBP, DEHP, DIBP, and 0.01% for cadmium, or qualify for an exemption to these limits as defined in the Annexes of Directive 2011/65/EU (RoHS2). Finished electrical and electronic equipment products will be CE marked as required by Directive 2011/65/EU. Components may not be CE marked. Additionally, the part numbers that TE has identified as EU ELV compliant have a maximum concentration of 0.1% by weight in homogenous materials for lead, hexavalent chromium, and mercury, and 0.01% for cadmium, or qualify for an exemption to these limits as defined in the Annexes of Directive 2000/53/EC (ELV). Regarding the REACH Regulation, the information TE provides on SVHC in articles for this part number is based on the latest European Chemicals Agency (ECHA) 'Guidance on requirements for substances in articles' posted at this URL: <https://echa.europa.eu/guidance-documents/guidance-on-reach>

## Compatible Parts



## Customers Also Bought



## Documents

### Product Drawings

[CONV OUTLET ASSEMBLY \(GRAY\)](#)

English

### CAD Files

[Customer View Model](#)

[ENG\\_CVM\\_CVM\\_1-208979-1\\_AE.2d\\_dxf.zip](#)

English



### 3D PDF

3D

Customer View Model

[ENG\\_CVM\\_CVM\\_1-208979-1\\_AE.3d\\_igs.zip](#)

English

Customer View Model

[ENG\\_CVM\\_CVM\\_1-208979-1\\_AE.3d\\_stp.zip](#)

English

By downloading the CAD file I accept and agree to the [Terms and Conditions](#) of use.

### Datasheets & Catalog Pages

[POWER\\_CONNECTORS\\_CATALOG\\_SEC08\\_AC\\_INPUTS](#)

English

### Instruction Sheets

[Instruction Sheet \(U.S.\)](#)

English

### Agency Approvals

[UL Report](#)

English