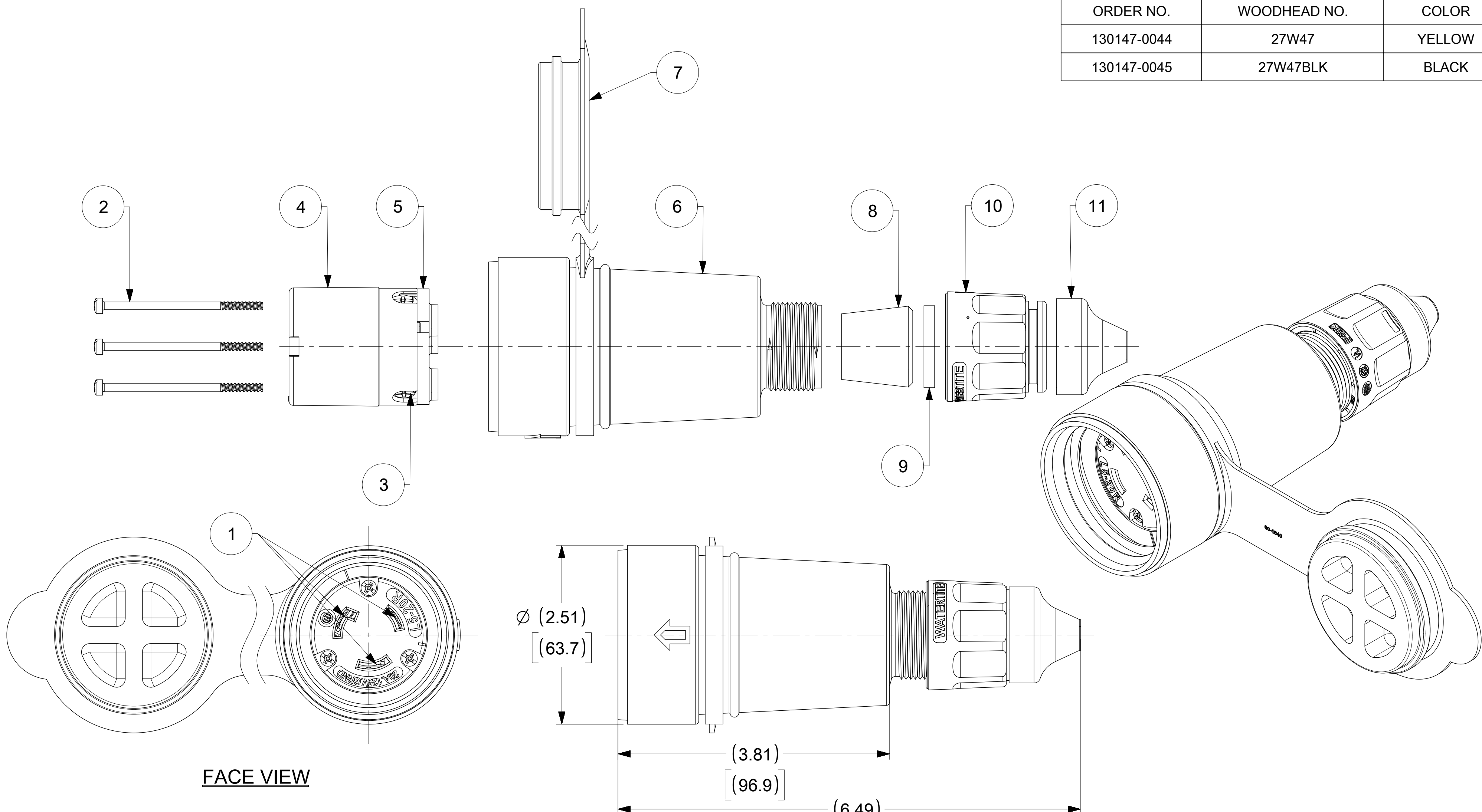


|             |              |        |
|-------------|--------------|--------|
| ORDER NO.   | WOODHEAD NO. | COLOR  |
| 130147-0044 | 27W47        | YELLOW |
| 130147-0045 | 27W47BLK     | BLACK  |



| ITEM NO. | DESCRIPTIONS                  | MATERIAL                  | QTY. |
|----------|-------------------------------|---------------------------|------|
| 1        | BLADE                         | BRASS, NICKEL PLATED      | 3    |
| 2        | RETAINING SCREWS              | STAINLESS STEEL           | 3    |
| 3        | CLAMP AND TERMINAL SCREW ASSY | BRASS, ZINC PLATED        | 3    |
| 4        | INSERT                        | NYLON                     | 1    |
| 5        | TERMINAL COVER                | POLYCARBONATE             | 1    |
| 6        | HOUSING                       | SILICON WITH NYLON THREAD | 1    |
| 7        | COVER CLOSURE                 | SILICON WITH NYLON THREAD | 1    |
| 8        | GROMMET                       | RUBBER                    | 4    |
| 9        | FRICTION RING                 | NYLON                     | 1    |
| 10       | COMPRESSION NUT               | NYLON                     | 1    |
| 11       | CABLE GLOVE                   | SILICON                   | 1    |

NOTE:  
1. ACCEPT CABLE RANGE FROM .437" TO .750"

|                   |  |   |                            |
|-------------------|--|---|----------------------------|
| SYMBOLS           |  | THIS DRAWING CONTAINS INFORMATION THAT IS PROPRIETARY TO MOLEX ELECTRONIC TECHNOLOGIES, LLC AND SHOULD NOT BE USED WITHOUT WRITTEN PERMISSION |                            |
| ▽ = 0             | DIMENSION UNITS                                      | SCALE   | CURRENT REV DESC: RELEASED |
| ▽ = 0             | INCH[MM]   | NTS   |                            |
| ▽ = 0             | GENERAL TOLERANCES (UNLESS SPECIFIED)                |   |                            |
| ▽ = 0             |  | MM  | INCH                       |
| ▽ = 0             | 4 PLACES   | ±   | ±                          |
| ▽ = 0             | 3 PLACES   | ±   | ±                          |
| ▽ = 0             | 2 PLACES   | ±   | ±                          |
| ▽ = 0             | 1 PLACE  | ±   | ±                          |
| ▽ = 0             | 0 PLACES   | ±   | ±                          |
| ▽ = 0             | ANGULAR TOL  | ± °   |                            |
| ▽ = 0             | DRAFT WHERE APPLICABLE MUST REMAIN WITHIN DIMENSIONS |   | THIRD ANGLE PROJECTION     |
|                   |  |   | DRAWING SERIES             |
|                   |  |   | C-SIZE 130147              |
| EC NO: 616447     |  | 2019/01/11  |                            |
| DRWN: DSOPPIN     |  | 2019/05/08  |                            |
| CHK'D: DNGUYEN62  |  | 2019/05/09  |                            |
| APPR: HKNEELAND   |  | 2019/05/09  |                            |
| INITIAL REVISION: |  |   |                            |
| DRWN: DSOPPIN     |  | 2019/01/11  |                            |
| APPR: HKNEELAND   |  | 2019/05/09  |                            |
| DOCUMENT NUMBER   |  | DOC TYPE  | DOC PART                   |
| 1301470044        |  | PSD   | 000                        |
| MATERIAL NUMBER   |  | CUSTOMER  | SHEET NUMBER               |
| SEE TABLE         |  | GENERAL MARKET  | 1 OF 1                     |