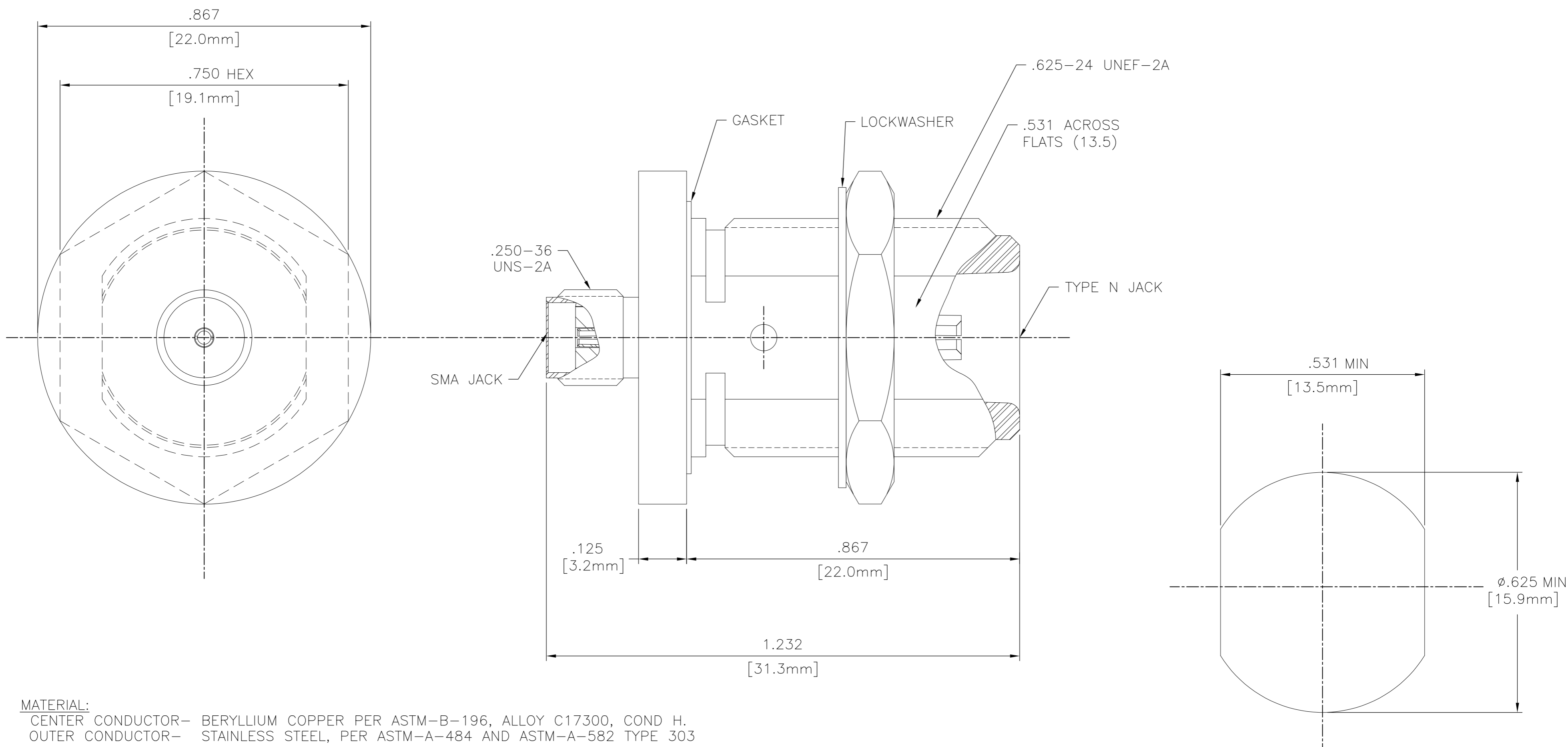


THIS DRAWING IS UNPUBLISHED. RELEASED FOR PUBLICATION
 © COPYRIGHT - By - ALL RIGHTS RESERVED.

LOC		DIST		REVISIONS			
HC	00	P	LTR	DESCRIPTION	DATE	DWN	APVD
		A		ECR-12-005726	27MAR12	RK	MY



MATERIAL:
 CENTER CONDUCTOR- BERYLLIUM COPPER PER ASTM-B-196, ALLOY C17300, COND H.
 OUTER CONDUCTOR- STAINLESS STEEL, PER ASTM-A-484 AND ASTM-A-582 TYPE 303

DIELECTRIC- PTFE PER ASTM-D-1457

PLATING:
 INNER CONDUCTOR- GOLD PER MIL-G-45204
 OUTER CONDUCTOR- PASSIVATED PER QQ-P-35

RECOMENDED MOUNTING HOLE

THIS DRAWING IS A CONTROLLED DOCUMENT.		DWN	25APR03	TE Connectivity				
		G. VIERA						
		CHK	24APR03	NAME SMA JACK TO TYPE N JACK ADAPTER BULKHEAD FEEDTHROUGH (3684-2240-00)				
		D. CAMELIO						
		APVD	24APR03	PRODUCT SPEC - APPLICATION SPEC -				
		D. CAMELIO						
DIMENSIONS:		TOLERANCES UNLESS OTHERWISE SPECIFIED:		SIZE		CAGE CODE	DRAWING NO	RESTRICTED TO
INCHES		0 PLC ± -		A2		00779	C=1058675-1	-
		1 PLC ± -		SCALE		SHEET		REV
		2 PLC ± -		5:1		1 of 1		A
		3 PLC ± .005		CUSTOMER DRAWING				
		4 PLC ± -						
		ANGLES ± 1°						
MATERIAL		FINISH						
-		-						