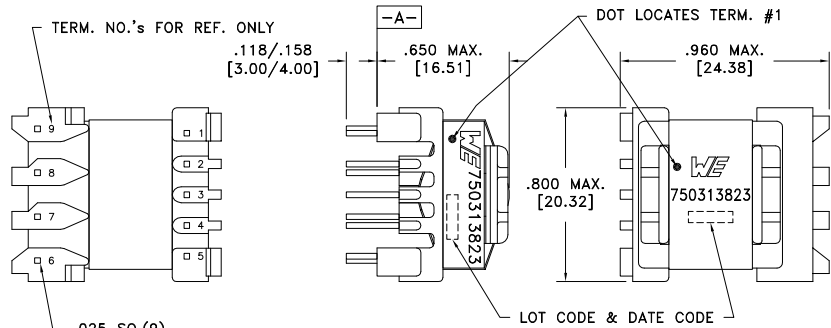
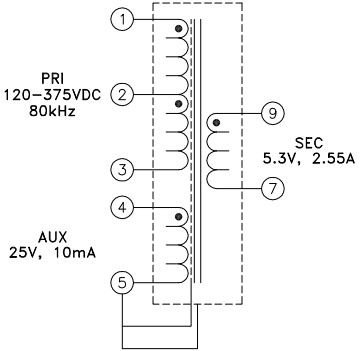
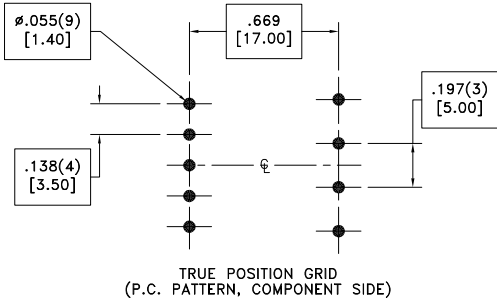


CUSTOMER TERMINAL	RoHS	LEAD(Pb)-FREE
Sn96%, Ag4%	Yes	Yes



ALTERNATE MARKING DETAIL

.025 SQ.(9)
[.64]
PART MUST INSERT FULLY TO SURFACE A IN TRUE POSITION GRID



ELECTRICAL SPECIFICATIONS @ 25°C unless otherwise noted:

PARAMETER	TEST CONDITIONS	VALUE
D.C. RESISTANCE	7-9 @20°C	0.016 ohms ±20%
D.C. RESISTANCE	5-4 @20°C	1.49 ohms ±10%
D.C. RESISTANCE	1-3 @20°C	2.19 ohms ±10%
INDUCTANCE	1-3 10kHz, 100mVAC, Ls	367uH ±10%
SATURATION CURRENT	20% rolloff from initial	2.2A
LEAKAGE INDUCTANCE	tie(4+5, 7+9), 100kHz, 100mVAC, Ls	20uH max.
DIELECTRIC	tie(3+4), 4500VAC, 1 second	4500VAC, 1 minute
URNS RATIO	(3-1):(5-4)	2.971:1, ±1%
URNS RATIO	(3-1):(7-9)	13:1, ±1%

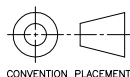
GENERAL SPECIFICATIONS:

OPERATING TEMPERATURE RANGE: -40°C to +125°C including temp rise.

Designed to comply with the following requirements as defined by IEC61558-2-16:
- Reinforced insulation for a primary circuit at a working voltage of 400VDC.

Wire insulation & RoHS status not affected by wire color.
Wire insulation color may vary depending on availability.

REV.	DATE	Packaging Specifications Method: Tray PKG-0735 www.we-online.com/midcom
6A	12/13	SEE REVISION SHEET FOR REVISION LEVEL



Tolerances unless otherwise specified:
Angles: ±1°
Fractions: ±1/64
Decimals: ±.005 [.13]
Footprint: ±.001 [.03]

This drawing is dual dimensioned. Dimensions in brackets are in millimeters.

DRAWING TITLE TRANSFORMER	PART NO. 750313823
eiSos p/n: 750313823	compliant RoHS

PART NO. 750313823	SPECIFICATION SHEET 1 OF 1
------------------------------	----------------------------