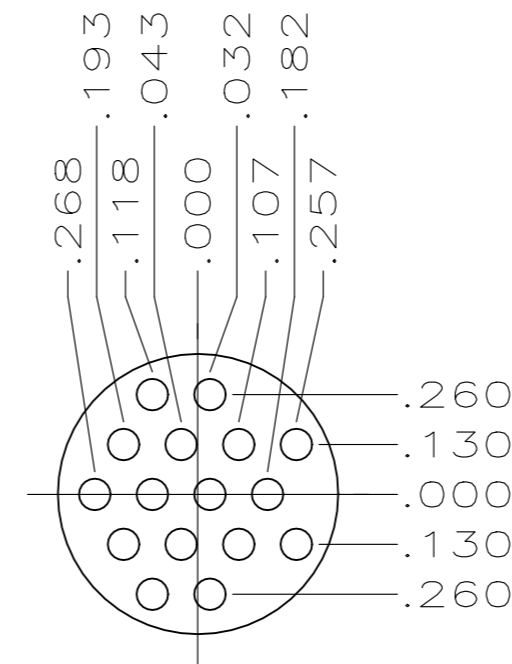
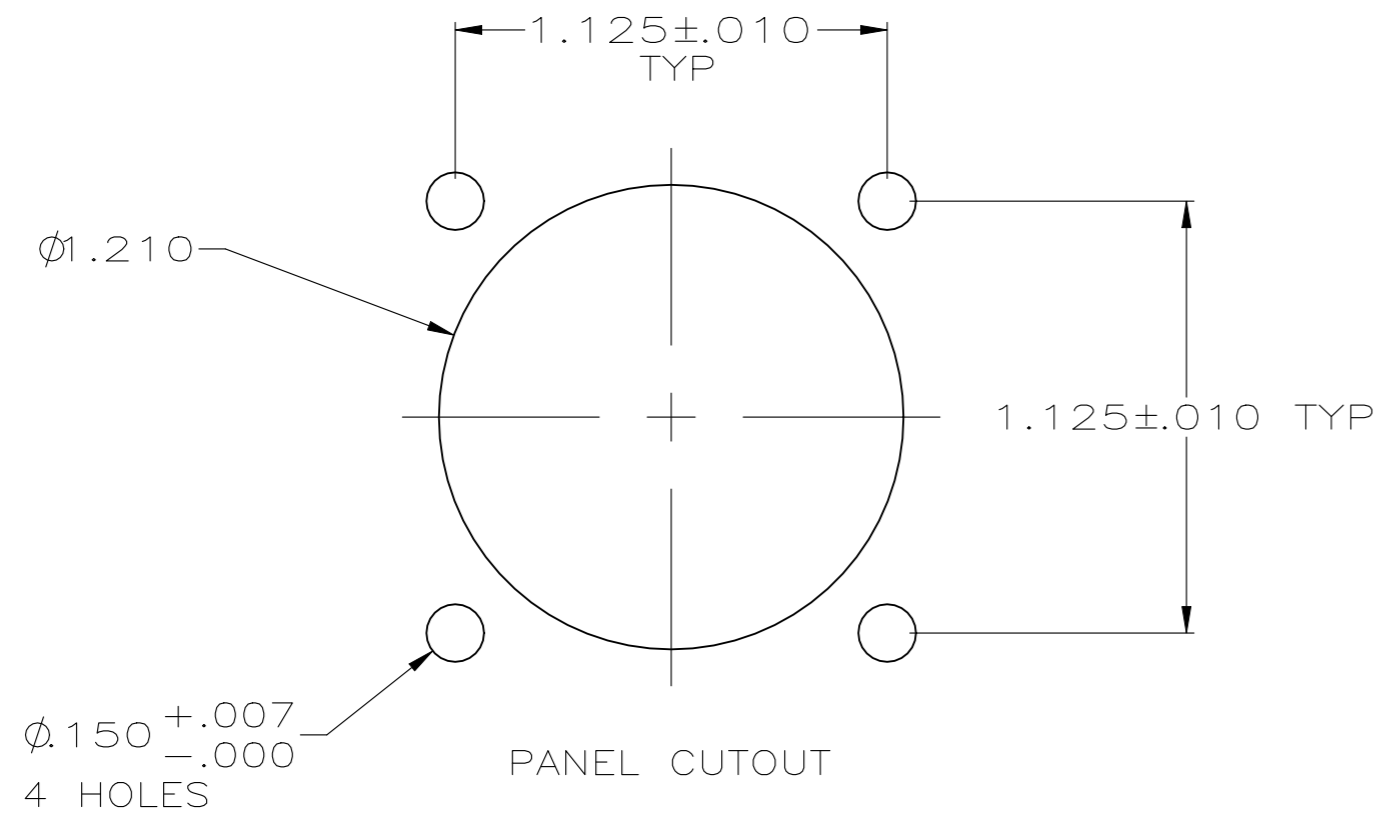
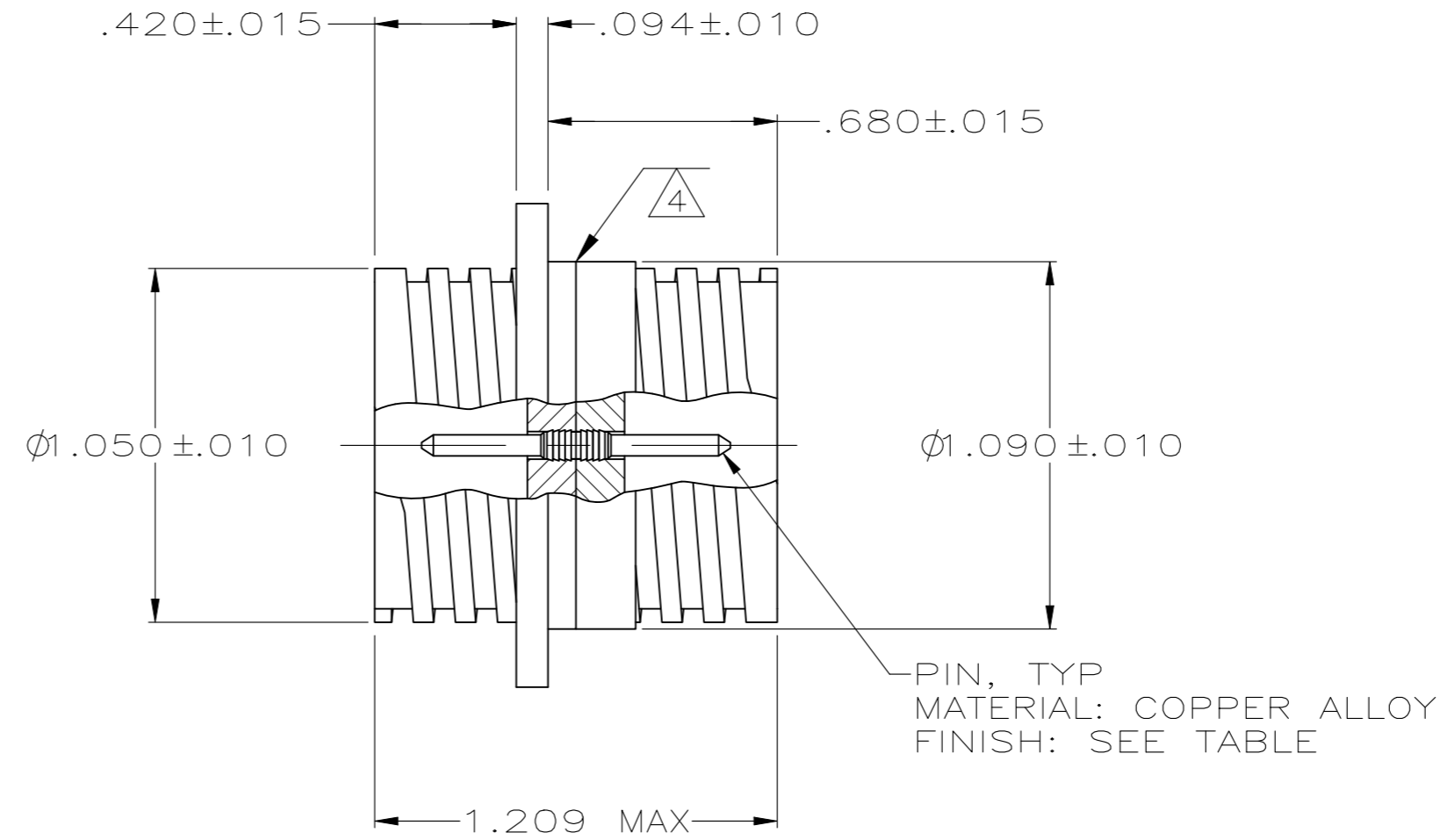
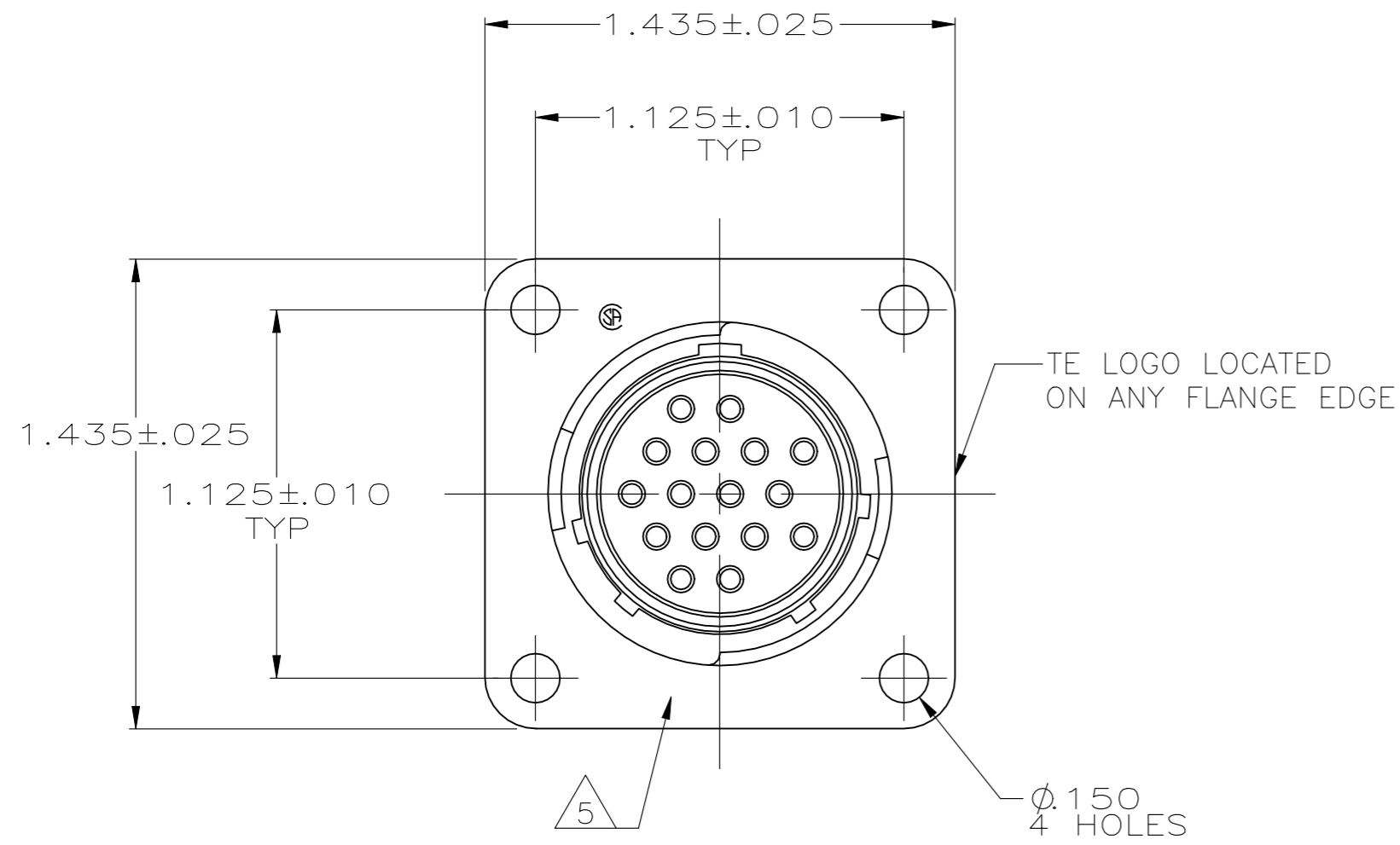


REVISIONS					
P	LTR	DESCRIPTION	DATE	DWN	APVD
H		REVISED PER ECO-21-006948	27OCT2021	RK	MZ



NOTES:

- 1 GOLD OVER NICKEL PLATED
- 2 TIN PLATED.
- 3. CONNECTORS ARE FULLY LOADED WITH 16 SIZE 16 PIN CONTACTS PERMANENTLY INSTALLED.
- 4 .012 MAXIMUM GAP PERMISSIBLE BETWEEN CONNECTOR HALVES.
- 5 PART NUMBER LOCATED ANYWHERE ON THIS SURFACE

OBSOLETE	2	206552-2
	1	206552-1
CONTACT FINISH		PART NUMBER

THIS DRAWING IS A CONTROLLED DOCUMENT.		DWN	J GALLUCCI BG	5-22-91
		CHK	W.G.LENKER	4-13-92
		APVD	-	-
DIMENSIONS: INCHES		TOLERANCES UNLESS OTHERWISE SPECIFIED:		
		0 PLC	±	-
		1 PLC	±	-
		2 PLC	±	-
		3 PLC	±	.005
		4 PLC	±	-
		ANGLES	±	-
MATERIAL RCPT: THERMOPLASTIC		FINISH SEE TABLE		
		PRODUCT SPEC 108-10024		NAME
		APPLICATION SPEC		RECEPTACLE ASSEMBLY, FEED THRU, SERIES 1, 17-16, CPC
		SIZE	A2	RESTRICTED TO
		CAGE CODE	00779	
		DRAWING NO	C=206552	
		WEIGHT	-	
CUSTOMER DRAWING		SCALE	2:1	SHEET 1 of 1
		REV	H	