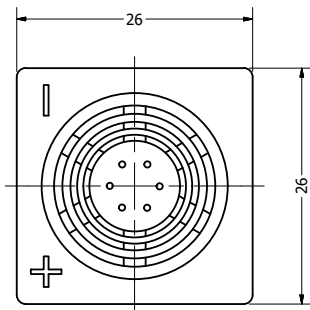
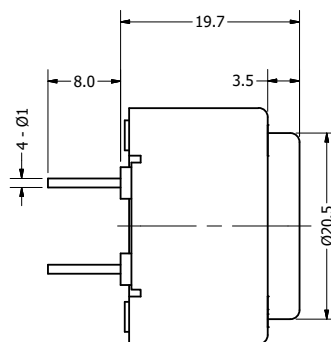


Part Number: IE260412-1	DRAWN CJ	10/12/2017
	CHECKED P.D.	11/2/2017
	APPROVED C.E.	11/2/2017
Description: Electro-Mechanical Indicator		
This document contains data proprietary to DB Unlimited. Any use or reproduction, in any form, without prior written permission of DB Unlimited is prohibited. All terms and conditions can be found at www.dbunlimitedco.com		

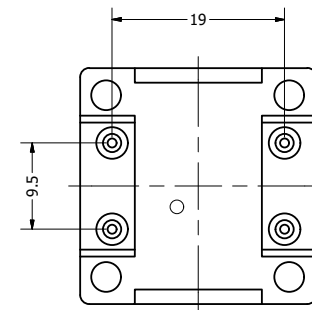
Top View



Side View



Bottom View



Items	Specifications	Conditions	REVISION HISTORY			
Min. Sound Pressure Level	95	dB (@ 10cm)	REV	DESCRIPTION	DATE	APPROVED
Tone	Single			Released from Engineering	10/21/2013	J.S.
Resonant Frequency	400 ± 100	Hz	1	Update temperature, drawing to new template	11/2/2017	C.E.
Rated Voltage	12	V	NOTES			
Voltage Range	8 ~ 16	V				
Max. Rated Current	50	mA	1) All dimensions are in mm unless otherwise noted			
Storage Temperature	-40 ~ +85	°C	2) All tolerances are ± 0.5 mm unless otherwise noted			
Operating Temperature	-30 ~ +70	°C	3) All parts meet RoHS			
Connection Method	PC Pins		4) Subject to change or redrawn without notice			
Mount Type	Thru Hole					
Housing Material	ABS					
Weight	17	g				