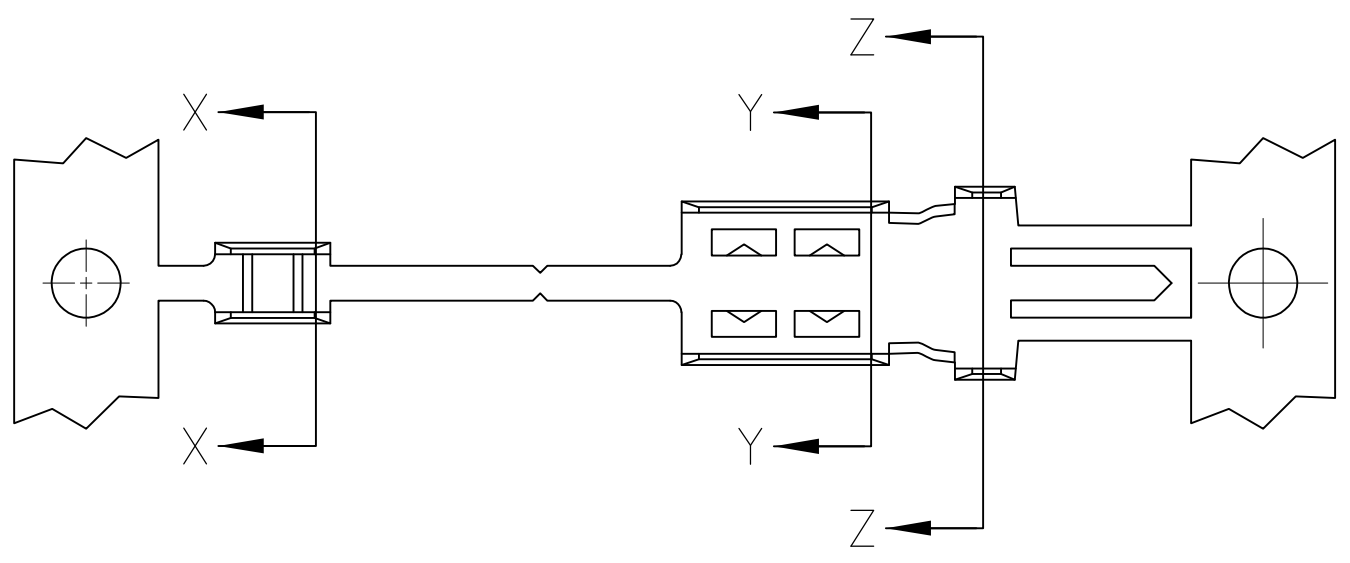
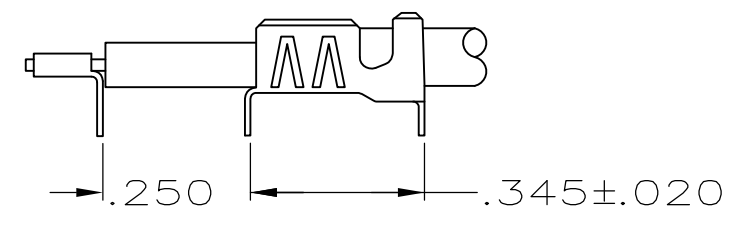
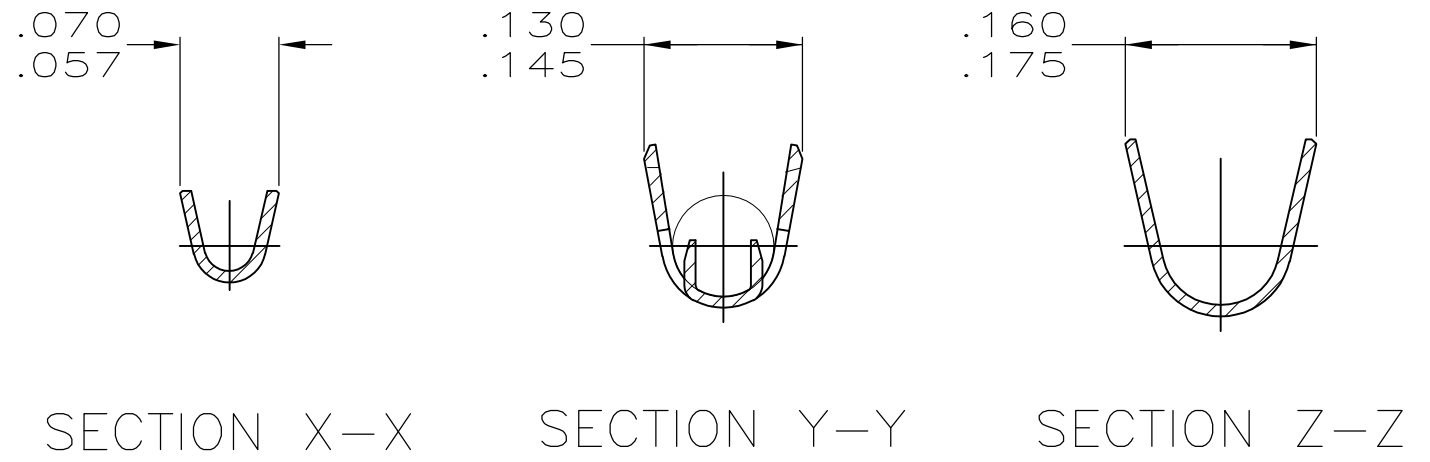
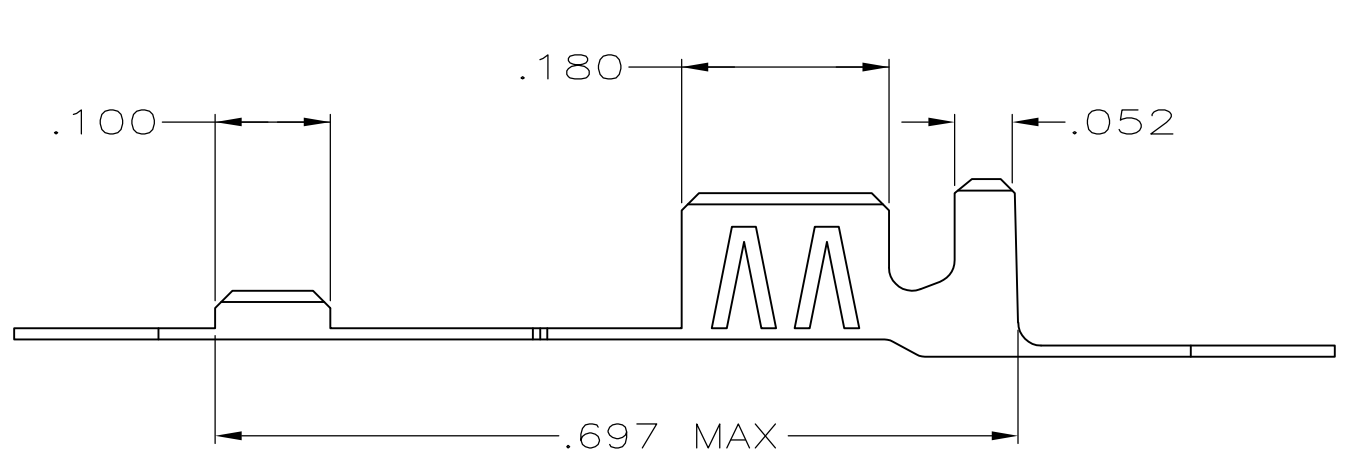


THIS DRAWING IS UNPUBLISHED. RELEASED FOR PUBLICATION
 © COPYRIGHT - By - ALL RIGHTS RESERVED.

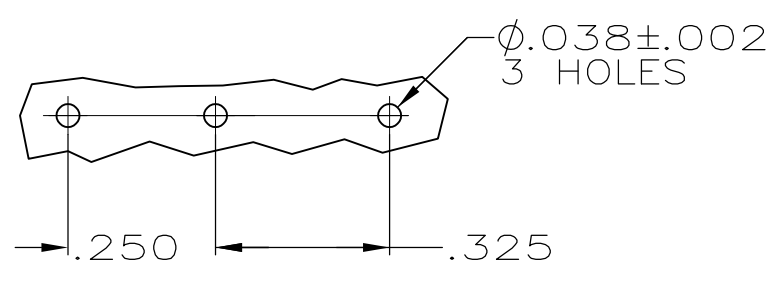
LOC	DIST	REVISIONS					
AJ	16	P	LTR	DESCRIPTION	DATE	DWN	APVD
		L1		REVISED PER ECO-11-005030	11MAR11	RK	HMR



- ACCEPTS COAX CABLE WITH .095-.110 O.D. JACKETS, .055-.065 DIELECTRIC O.D., AND #26-#28 CENTER CONDUCTOR.
- TIN-LEAD PLATE PER MIL-P-81728 OVER NICKEL PLATE PER QQ-N-290.
- TIN PLATE PER ASTM B 545 OVER NICKEL PLATE PER QQ-N-290.
- INSTRUCTION SHEET NO.: 408-2472-2.



3	9-226177-0
2	226177-2
FINISH	PART NUMBER



P.C. BOARD LAYOUT

THIS DRAWING IS A CONTROLLED DOCUMENT.		DWN M. O'BRINE 18FEB00	TE Connectivity					
DIMENSIONS: INCHES		CHK J. LIPPERT 18FEB00					NAME	
TOLERANCES UNLESS OTHERWISE SPECIFIED:		APVD J. LIPPERT 18FEB00	APPLICATION SPEC		SIZE	CAGE CODE	DRAWING NO	RESTRICTED TO
0 PLC	± -	PRODUCT SPEC	-		A3	00779	C-226177	-
1 PLC	± -	WEIGHT	-		CUSTOMER DRAWING		SCALE	SHEET
2 PLC	± -	MATERIAL		BRASS MIL-C-50		6:1		1 OF 1
3 PLC	± .008	FINISH		-		REV		L1
4 PLC	± -	FINISH		-		REV		L1
ANGLES	± -	FINISH		-		REV		L1