


ST-REL4-KG 24/21-21/AU

Order No.: 2829551



<http://eshop.phoenixcontact.de/phoenix/treeViewClick.do?UID=2829551>

Relay connector, fitted with miniature switching relay, contacts (AgNi +Au): Small to large loads, 2 PDT, 24 V AC/DC input voltage, with light indicator, can be plugged into basic terminal blocks

| Commercial data | |
|--------------------------|--|
| GTIN (EAN) |  4 017918 078508 |
| sales group | G013 |
| Pack | 10 pcs. |
| Customs tariff | 85364190 |
| Catalog page information | Page 89 (IF-2005) |

Product notes

WEEE/RoHS-compliant since:
08/10/2006



<http://www.download.phoenixcontact.com>
Please note that the data given here has been taken from the online catalog. For comprehensive information and data, please refer to the user documentation. The General Terms and Conditions of Use apply to Internet downloads.

Technical data

Coil side

| | |
|---|----------------------------|
| Nominal input voltage U_N | 24 V AC/DC |
| Input voltage range in reference to U_N | 0.8 ... 1.1 |
| Nominal input current at U_{IN} | 19 mA |
| Typical response time | 9 ms (with DC) |
| Typical release time | 10 ms (with DC) |
| Operating voltage display | Yes |
| Protective circuit/component | Bridge rectifier, varistor |

Contact side

| | |
|---------------------------------------|--|
| Contact type | Single contact, 2-PDT |
| Contact material | Hard gold plated AgNi |
| Maximum switching voltage | 30 V AC/DC |
| Maximum inrush current | 50 mA |
| Limiting continuous current | 50 mA |
| Interrupting rating (ohmic load) max. | 1.2 W (at 24 V DC) |
| Note | the following values are applicable if a gold layer is destroyed |
| Maximum switching voltage | 250 V AC/DC |
| Limiting continuous current | 3 A |
| Maximum inrush current | 5 A |
| Interrupting rating (ohmic load) max. | 70 W (at 24 V DC) 85 W (for 48 V DC) 60 W (for 60 V DC) 40 W (for 110 V DC) 60 W (for 220 V DC) 750 VA (for 250 V AC) |

General data

| | |
|--|---------------------------|
| Width | 27 mm |
| Height | 33 mm |
| Depth | 66.5 mm |
| Test voltage relay winding/relay contact | 2.5 kV AC (50 Hz, 1 min.) |
| Test voltage PDT/PDT | 1 kV AC (50 Hz, 1 min.) |
| Ambient temperature (operation) | -20 °C ... 50 °C |

| | |
|---|---|
| Ambient temperature (storage/transport) | -20 °C ... 70 °C |
| Operating mode | 100% operating factor |
| Mechanical service life | Approx. 2 x 10 ⁷ cycles |
| Standards/regulations | DIN VDE 0110b, Gr. C for 250 V DC |
| | IEC 60255/DIN VDE 0435 (in relevant parts) |
| | DIN EN 50178/DIN VDE 0160 (in relevant parts) |
| | EN 60730/DIN VDE 0631 |
| | DIN VDE 0160 (in relevant parts) |

Certificates / Approvals



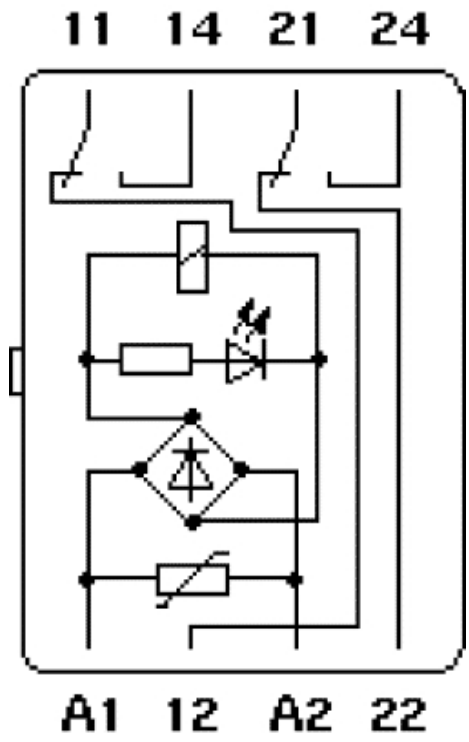
Certification GOST

Additional products

| Item | Designation | Description |
|----------------|--------------|---|
| General | | |
| 2777056 | UDK-RELG 4 | Basic termination blocks with test connection on both sides and double connections with the same potential for NS 32 and NS 35/7.5 DIN rail, with end cover, for ST-REL..., ST-OV... and ST-OE... plugs, 4-pos. |
| 2820149 | URELG 4 | Basic termination blocks with screw connection for NS 32 and NS 35/7.5 DIN rail, with end cover, for ST-REL..., ST-OV... and ST-OE... plugs, 4-pos. |
| 2820712 | URELG 4-PMTK | Basic termination blocks with test connection on both sides and knife disconnection for NS 32 and NS 35/7.5 DIN rail, with end cover, for ST-REL..., ST-OV... and ST-OE... plugs, 4-pos. |
| 2829920 | ZFK-RELG 4 | Basic termination blocks with spring-cage connection for NS 35/7.5 DIN rail, with end cover, for ST-REL..., ST-OV... and ST-OE... plugs, 4-pos. |

Diagrams/Drawings

Circuit diagram



Address

PHOENIX CONTACT Deutschland GmbH
Flachmarktstr. 8
32825 Blomberg, Germany
Phone +49 5235 3 12000
Fax +49 5235 3 41200
<http://www.phoenixcontact.de>



© 2011 Phoenix Contact
Technical modifications reserved;