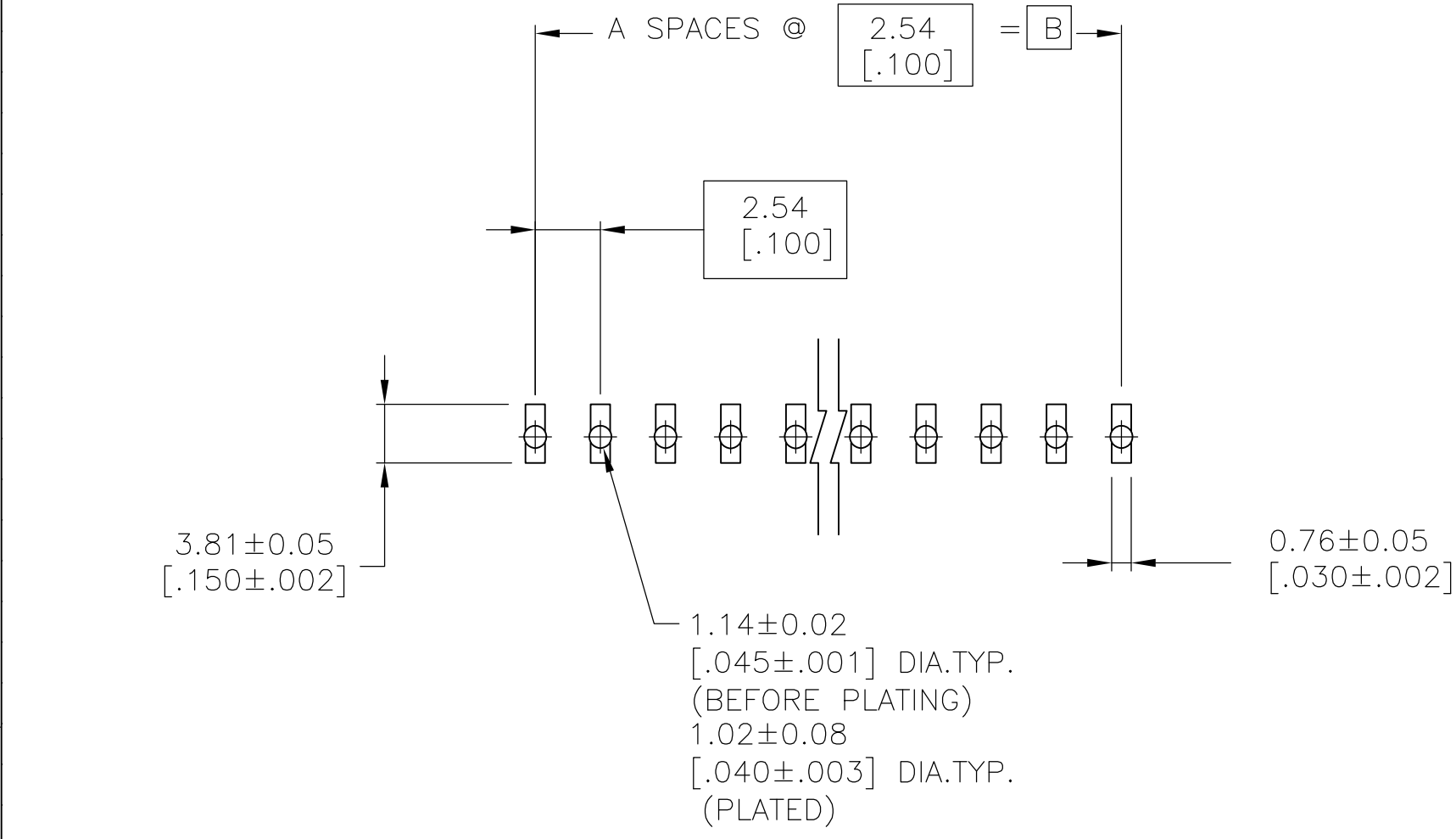
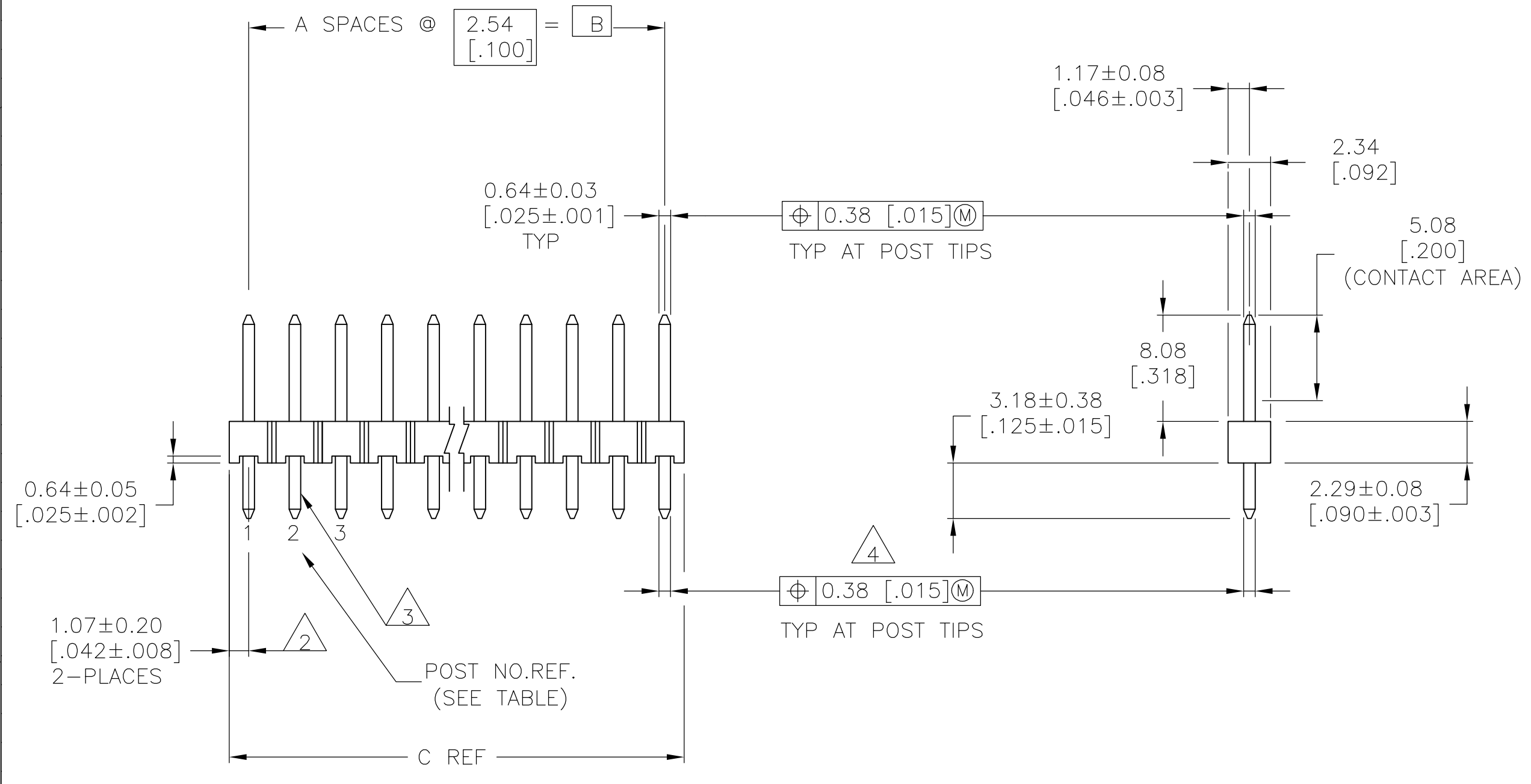


- TRUE POSITION TOLERANCE OF THE POST TIPS APPLIES WHEN THE HEADERS ARE HELD FLAT AGAINST THE PRINTED CIRCUIT BOARD.
- THE NOTED DIMENSIONS APPLY AT THE INTERSECTION OF THE POST AND THE HOUSING.
- RETENTION FEATURES ON SOLDER TAILS, LOCATED AT MANUFACTURERS OPTION.
- $\varnothing .020 \text{ (M)}$ FOR KINKED TAILS.
- 0.000762 [.000030] GOLD IN CONTACT AREA, 0.00254-0.00504 [.000100-.000200] MATTE TIN-LEAD ON SOLDER TAIL, ALL OVER 0.00127 [.000050] NICKEL.
- HOUSING: LCP, COLOR-BLACK. POSTS: COPPER ALLOY.
- 0.000762 [.000030] GOLD IN CONTACT AREA, 0.00254-0.00504 [.000100-.000200] MATTE TIN ON SOLDER TAIL, ALL OVER 0.00127 [.000050] NICKEL.
- OBSOLETE PARTS: OBSOLETE CIS STREAMLINING PER D.RENAUD/D.SINISI



RECOMMENDED PC BOARD MOUNTING DIMENSIONS FOR .063 [.160] THICK PC BOARD AND .012 [.305] STENCIL THICK.

OBSOLETE	7	101.19 [3.984]	99.06 [3.900]	39	40	9-146289-0
OBSOLETE	7	98.65 [3.884]	96.52 [3.800]	38	39	8-146289-9
OBSOLETE	7	96.11 [3.784]	93.98 [3.700]	37	38	8-146289-8
OBSOLETE	7	93.57 [3.684]	91.44 [3.600]	36	37	8-146289-7
OBSOLETE	7	91.03 [3.584]	88.90 [3.500]	35	36	8-146289-6
OBSOLETE	7	88.49 [3.484]	86.36 [3.400]	34	35	8-146289-5
OBSOLETE	7	85.95 [3.384]	83.82 [3.300]	33	34	8-146289-4
OBSOLETE	7	83.41 [3.284]	81.28 [3.200]	32	33	8-146289-3
OBSOLETE	7	80.87 [3.184]	78.74 [3.100]	31	32	8-146289-2
OBSOLETE	7	78.33 [3.084]	76.20 [3.000]	30	31	8-146289-1
OBSOLETE	7	75.79 [2.984]	73.66 [2.900]	29	30	8-146289-0
OBSOLETE	7	73.25 [2.884]	71.12 [2.800]	28	29	7-146289-9
OBSOLETE	7	70.71 [2.784]	68.58 [2.700]	27	28	7-146289-8
OBSOLETE	7	68.17 [2.684]	66.04 [2.600]	26	27	7-146289-7
OBSOLETE	7	65.63 [2.584]	63.5 [2.500]	25	26	7-146289-6
OBSOLETE	7	63.09 [2.484]	60.96 [2.400]	24	25	7-146289-5
OBSOLETE	7	60.55 [2.384]	58.42 [2.300]	23	24	7-146289-4
OBSOLETE	7	58.01 [2.284]	55.88 [2.200]	22	23	7-146289-3
OBSOLETE	7	55.47 [2.184]	53.34 [2.100]	21	22	7-146289-2
OBSOLETE	7	52.93 [2.084]	50.80 [2.000]	20	21	7-146289-1
OBSOLETE	7	50.39 [1.984]	48.26 [1.900]	19	20	7-146289-0
OBSOLETE	7	47.85 [1.884]	45.72 [1.800]	18	19	6-146289-9
OBSOLETE	7	45.31 [1.784]	43.18 [1.700]	17	18	6-146289-8
OBSOLETE	7	42.77 [1.684]	40.64 [1.600]	16	17	6-146289-7
OBSOLETE	7	40.23 [1.584]	38.10 [1.500]	15	16	6-146289-6
OBSOLETE	7	37.69 [1.484]	35.56 [1.400]	14	15	6-146289-5
OBSOLETE	7	35.15 [1.384]	33.02 [1.300]	13	14	6-146289-4
OBSOLETE	7	32.61 [1.284]	30.48 [1.200]	12	13	6-146289-3
OBSOLETE	7	30.07 [1.184]	27.94 [1.100]	11	12	6-146289-2
OBSOLETE	7	27.53 [1.084]	25.40 [1.000]	10	11	6-146289-1
OBSOLETE	7	24.99 [.984]	22.86 [.900]	9	10	6-146289-0
OBSOLETE	7	22.45 [.884]	20.32 [.800]	8	9	5-146289-9
OBSOLETE	7	19.91 [.784]	17.78 [.700]	7	8	5-146289-8
OBSOLETE	7	17.37 [.684]	15.24 [.600]	6	7	5-146289-7
OBSOLETE	7	14.83 [.584]	12.70 [.500]	5	6	5-146289-6
OBSOLETE	7	12.29 [.484]	10.16 [.400]	4	5	5-146289-5
OBSOLETE	7	9.75 [.384]	7.62 [.300]	3	4	5-146289-4
OBSOLETE	7	7.21 [.284]	5.08 [.200]	2	3	5-146289-3
PLATING	C	B	A	NO. OF POSITIONS	PART NUMBER	

8 SUP BY 6-146289-0

8 SUP BY 5-146289-4

8 OBSOLETE

8 SUP BY 146265-1

8 OBSOLETE

OBSOLETE	8	101.19 [3.984]	99.06 [3.900]	39	40	4-146289-0
OBSOLETE	8	98.65 [3.884]	96.52 [3.800]	38	39	3-146289-9
OBSOLETE	8	96.11 [3.784]	93.98 [3.700]	37	38	3-146289-8
OBSOLETE	8	93.57 [3.684]	91.44 [3.600]	36	37	3-146289-7
OBSOLETE	8	91.03 [3.584]	88.90 [3.500]	35	36	3-146289-6
OBSOLETE	8	88.49 [3.484]	86.36 [3.400]	34	35	3-146289-5
OBSOLETE	8	85.95 [3.384]	83.82 [3.300]	33	34	3-146289-4
OBSOLETE	8	83.41 [3.284]	81.28 [3.200]	32	33	3-146289-3
OBSOLETE	8	80.87 [3.184]	78.74 [3.100]	31	32	3-146289-2
OBSOLETE	8	78.33 [3.084]	76.20 [3.000]	30	31	3-146289-1
OBSOLETE	8	75.79 [2.984]	73.66 [2.900]	29	30	3-146289-0
OBSOLETE	8	73.25 [2.884]	71.12 [2.800]	28	29	2-146289-9
OBSOLETE	8	70.71 [2.784]	68.58 [2.700]	27	28	2-146289-8
OBSOLETE	8	68.17 [2.684]	66.04 [2.600]	26	27	2-146289-7
OBSOLETE	8	65.63 [2.584]	63.5 [2.500]	25	26	2-146289-6
OBSOLETE	8	63.09 [2.484]	60.96 [2.400]	24	25	2-146289-5
OBSOLETE	8	60.55 [2.384]	58.42 [2.300]	23	24	2-146289-4
OBSOLETE	8	58.01 [2.284]	55.88 [2.200]	22	23	2-146289-3
OBSOLETE	8	55.47 [2.184]	53.34 [2.100]	21	22	2-146289-2
OBSOLETE	8	52.93 [2.084]	50.80 [2.000]	20	21	2-146289-1
OBSOLETE	8	50.39 [1.984]	48.26 [1.900]	19	20	2-146289-0
OBSOLETE	8	47.85 [1.884]	45.72 [1.800]	18	19	1-146289-9
OBSOLETE	8	45.31 [1.784]	43.18 [1.700]	17	18	1-146289-8
OBSOLETE	8	42.77 [1.684]	40.64 [1.600]	16	17	1-146289-7
OBSOLETE	8	40.23 [1.584]	38.10 [1.500]	15	16	1-146289-6
OBSOLETE	8	37.69 [1.484]	35.56 [1.400]	14	15	1-146289-5
OBSOLETE	8	35.15 [1.384]	33.02 [1.300]	13	14	1-146289-4
OBSOLETE	8	32.61 [1.284]	30.48 [1.200]	12	13	1-146289-3
OBSOLETE	8	30.07 [1.184]	27.94 [1.100]	11	12	1-146289-2
OBSOLETE	8	27.53 [1.084]	25.40 [1.000]	10	11	1-146289-1
OBSOLETE	8	24.99 [.984]	22.86 [.900]	9	10	1-146289-0
OBSOLETE	8	22.45 [.884]	20.32 [.800]	8	9	146289-9
OBSOLETE	8	19.91 [.784]	17.78 [.700]	7	8	146289-8
OBSOLETE	8	17.37 [.684]	15.24 [.600]	6	7	146289-7
OBSOLETE	8	14.83 [.584]	12.70 [.500]	5	6	146289-6
OBSOLETE	8	12.29 [.484]	10.16 [.400]	4	5	146289-5
OBSOLETE	8	9.75 [.384]	7.62 [.300]	3	4	146289-4
OBSOLETE	8	7.21 [.284]	5.08 [.200]	2	3	146289-3
OBSOLETE	8	4.67 [.184]	2.54 [.100]	1	2	146289-2
OBSOLETE	8	2.13 [.084]	-	0	1	146289-1
PLATING	C	B	A	NO. OF POSITIONS	PART NUMBER	

THIS DRAWING IS A CONTROLLED DOCUMENT. **STE** TE Connectivity

DIMENSIONS: mm [INCHES]	TOLERANCES UNLESS OTHERWISE SPECIFIED:	DIN T. HOFFMAN 12/6/95	APVO G. DUBNICZKI 22/11/95
0 PLC ± -	1 PLC ± -	2 PLC ± -	3 PLC ± -
4 PLC ± -	ANGLES ± -	FINISH SEE TABLE	WEIGHT -
CUSTOMER DRAWING		SCALE 4:1	SHEET 1 OF 1

NAME: HEADER ASSEMBLY, MOD II, BREAKAWAY, SINGLE ROW. HIGH TEMPERATURE, VERTICAL WITH RETENTION FEATURE, W/.025 SQ. POSTS, .100 C/L

SIZE: A1 00779 C=146289