

RDS180A-24

SPECIFICATIONS (1/2)

A283-01-01A

ITEMS		MODEL	RDS180A-24-5	RDS180A-24-12	RDS180A-24-15	RDS180A-24-24
INPUT						
Input Voltage Range		-	18 - 32VDC			
Efficiency (Typ)	(*1)	%	81	85	86	86
Input Current (Typ)	(*1)	A	9.3	8.9	8.8	8.8
Inrush Current (Typ)	(*1)	-	30A at Cold Start			
OUTPUT						
Nominal Output Voltage		V	5	12	15	24
Output Voltage Initial Set Accuracy	(*9)	-	±1%			
Maximum Output Current		A	36.0	15.0	12.0	7.5
Maximum Output Power		W	180.0	180.0	180.0	180.0
Maximum Line Regulation	(*2)	mV	40	96	120	192
Maximum Load Regulation	(*3)	mV	50	120	150	240
Temperature Coefficient		-	Less than 0.02% / °C			
Maximum Ripple	(*4)	mV	50	80	80	100
Maximum Ripple & Noise	(*4)	mV	100	170	200	290
Output Voltage Range		V	4.0 - 6.0	9.6 - 14.4	12.0 - 18.0	19.2 - 28.8
Over Current Protection	(*5)	-	105% - 135%			
Over Voltage Protection	(*6)	V	6.2 - 7.3	15.0 - 17.4	18.7 - 21.8	30.0 - 34.8
FUNCTION						
Remote ON/OFF Control		-	Possible			
Remote Sensing		-	Possible			
Parallel Operation		-	Possible			
Series Operation		-	Possible			
ENVIRONMENT						
Operating Temperature	(*7)	-	-20 to +60°C (-20 to +50°C:100%, +60°C:70%)			
Storage Temperature		-	-25 to +75°C			
Operating Humidity		-	20 to 95%RH (No Condensing)			
Storage Humidity		-	20 to 95%RH (No Condensing)			
Vibration	(*8)	-	At No operating, 10 to 55Hz : 19.6m/s ² Constant, X,Y,Z 1hour each.			
		-	Designed to meet JIS E 3014-2-B			
		-	Designed to meet IEC61373 - Category 1 - Grade B (EN50155 requirement)			
Shock	(*8)	-	196m/s ² (time : 11±5ms)			
		-	Designed to meet JIS E 3015-2 (294m/s ² (time : 6±3ms))			
		-	Designed to meet IEC61373 - Category 1 - Grade B (EN50155 requirement)			
Cooling		-	Convection Cooling			
ISOLATION						
Withstand Voltage		-	Input - Output, Input - FG : 2kVAC(10mA) for 1min., Output - CNT(RC) : 100VAC(100mA) for 1min.			
Isolation Resistance		-	Output - FG : 500VDC 100Mohm, Output - CNT(RC) : 100VDC 10Mohm			
STANDARD AND COMPLIANCE						
Safety		-	Approved by IEC/EN/CSA/UL62368-1 (Altitude≤3,000m)			
Conducted Emission	(*8)	-	Designed to meet EN55011/EN55032-B, FCC-ClassB, VCCI-B, EN50121-3-2 (EN50155 requirement)			
Radiated Emission	(*8)	-				
Immunity	(*8)	-	Designed to meet IEC61000-4-2(Level 2,3),-4(Level 3), -5(Level 1), -8(Level 4)			
MECHANICAL						
Weight (Typ.)		g	1100			
Size (W x H x D)		mm	80 x 95 x 220 (Refer to Outline Drawing)			

SPECIFICATIONS (2/2)

A283-01-01A

*Read instruction manual carefully, before using the power supply unit.

=NOTES=

- *1. At 24VDC input voltage, Ta=25°C, nominal output voltage and maximum output power.
- *2. 18 - 32VDC input voltage, constant load.
- *3. No load-Full load, constant input voltage.
- *4. Measure with JEITA RC-9141B probe, Bandwidth of scope :100MHz.
- *5. OCP TYPE : Constant current limit with automatic recovery.
- *6. OVP circuit will shut the output down, manual reset (CNT reset or Re power on).
- *7. Ratings - Derating at standard mounting. Refer to output derating curve (A283-01-02_).
 - Load (%) is percent of maximum output power or maximum output current, whichever is greater.
- *8. This result is evaluated by TDK-Lambda standard measurement conditions.
 - The power supply is considered a component which will be installed into a final equipment.
 - The final equipment should be re-evaluated that it meets EMC, Vibration and Shock directives.
- *9. At factory shipment. (At 24VDC input voltage, nominal output voltage and maximum output current.)

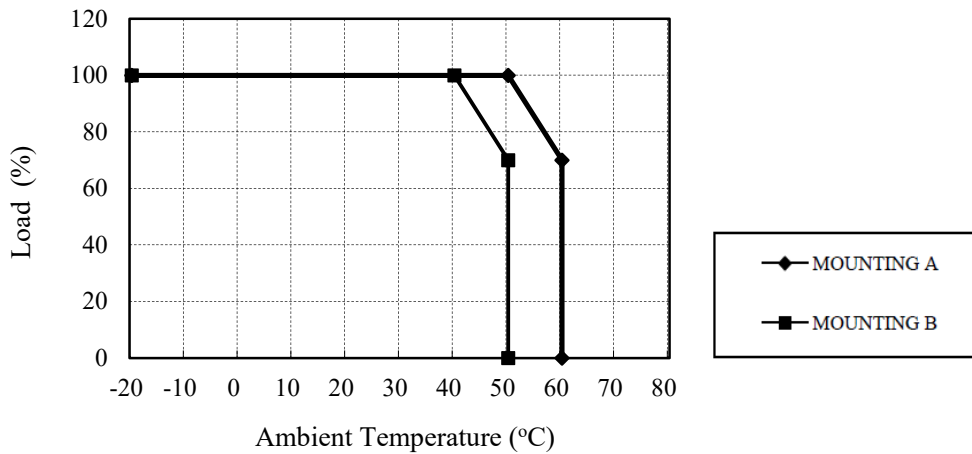
RDS180A-24

A283-01-02

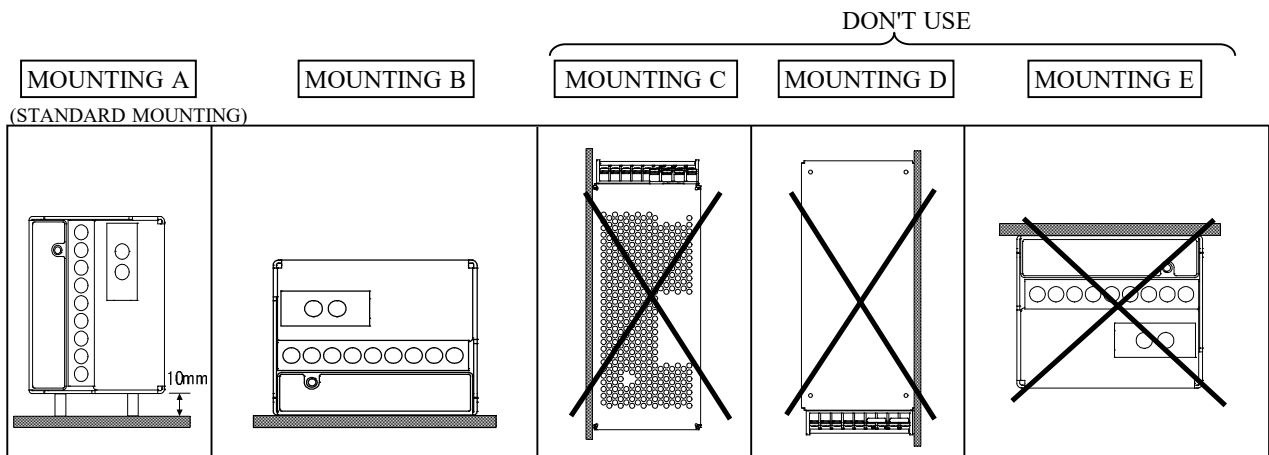
* Cooling : Convection cooling

Ta (°C)	LOAD (%)	
	MOUNTING A	MOUNTING B
-20 - +40	100	100
50	100	70
60	70	-

Output derating Curve



Mounting direction



Foot Space for mounting 'A' must be 10mm or higher when having an output power larger than 150W.