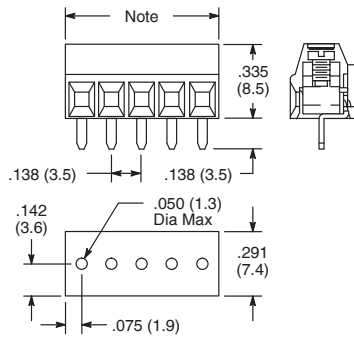


EURO-STYLE TERMINAL BLOCKS

25-E100 Series PC Mount



Note: .138 (3.5) x (P-1) + .150 (3.8)

Pitch: 3.5mm

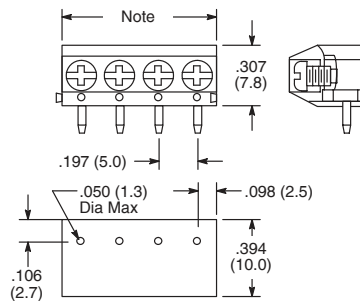
Specifications

Approval	c US
Rated Voltage	300V
Rated Current	10A
Wire Range	-
Solid Wire (AWG)	26 - 16
Stranded Wire (AWG/mm ²)	-
Rated Surge Voltage (UL/Max.)	1.6KV / 3KV
Torque (Lb-in)	1.5
Screw Type	M2
Wire Strip Length	.175 - .197" (4 - 5mm)

Ordering Information

Number of Poles	NTE Part Number
02	25-E100-02
03	25-E100-03
04	25-E100-04
05	25-E100-05
06	25-E100-06
07	25-E100-07
08	25-E100-08
09	25-E100-09
10	25-E100-10

25-E200 Series PC Mount Wire Protector



Note: .197 (5.0) x P

Pitch: 5mm

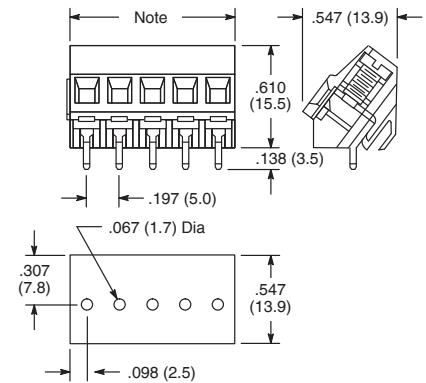
Specifications

Approval	c US
Rated Voltage	300V
Rated Current	16A
Wire Range	-
Solid Wire (AWG)	24 - 14
Stranded Wire (AWG/mm ²)	24 - 14
Rated Surge Voltage (UL/Max.)	1.6KV / 4KV
Torque (Lb-in)	3.5
Screw Type	M2.5
Wire Strip Length	.197 - .236" (5 - 6mm)

Ordering Information

Number of Poles	NTE Part Number
02	25-E200-02
03	25-E200-03

25-E300 Series PC Mount



Note: .197 (5.0) x P

Pitch: 5mm

Specifications

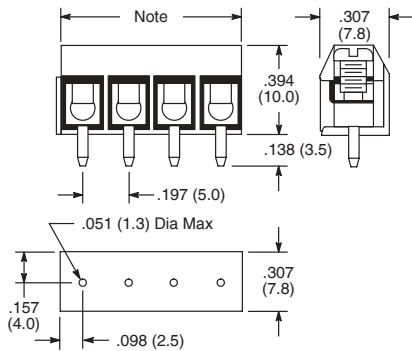
Approval	c US
Rated Voltage	300V
Rated Current	20A
Wire Range	-
Solid Wire (AWG)	24 - 12
Stranded Wire (AWG/mm ²)	24 - 12
Rated Surge Voltage (UL/Max.)	1.6KV / 3KV
Torque (Lb-in)	4.4
Screw Type	M2.5
Wire Strip Length	.236 - .276" (6 - 7mm)

Ordering Information

Number of Poles	NTE Part Number
02	25-E300-02
03	25-E300-03

EUROSTYLE TERMINAL BLOCKS

25-E400 Series PC Mount Wire Protector



Note: .197 (5.0) x P

Pitch: 5mm

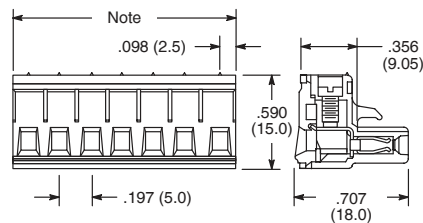
Specifications

Approval	c
Rated Voltage	300V
Rated Current	16A
Wire Range	-
Solid Wire (AWG)	24 - 14
Stranded Wire (AWG/mm ²)	24 - 14
Rated Surge Voltage (UL/Max.)	1.6KV / 4KV
Torque (Lb-in)	3.5
Screw Type	M2.5
Wire Strip Length	.197 - .236" (5 - 6mm)

Ordering Information

Number of Poles	NTE Part Number
02	25-E400-02
03	25-E400-03
04	25-E400-04
05	25-E400-05
06	25-E400-06
07	25-E400-07
08	25-E400-08
09	25-E400-09
10	25-E400-10

25-E800 Series Plug for Pluggable Types



Note: .197 (5.0) x P

Pitch: 5mm

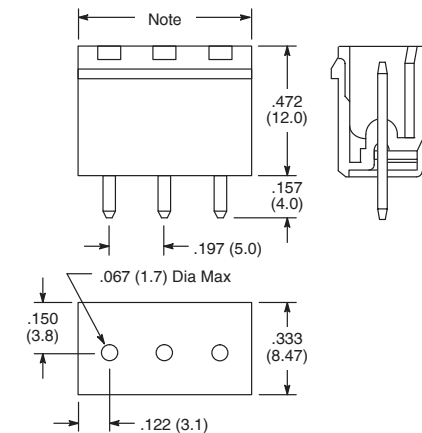
Specifications

Approval	c
Rated Voltage	300V
Rated Current	15A
Wire Range	-
Solid Wire (AWG)	28 - 12
Stranded Wire (AWG/mm ²)	30 - 12
Rated Surge Voltage (UL/Max.)	1.6KV / 4KV
Torque (Lb-in)	4.5
Screw Type	M2.5
Wire Strip Length	.276 - .315" (7 - 8mm)

Ordering Information

Number of Poles	NTE Part Number
02	25-E800-02
03	25-E800-03
04	25-E800-04
05	25-E800-05
06	25-E800-06
07	25-E800-07
08	25-E800-08
09	25-E800-09
10	25-E800-10
12	25-E800-12

25-E900 Series PCB Socket for Pluggable Types



Note: .197 (5.0) x (P-1) + .244 (6.2)

Pitch: 5mm

Specifications

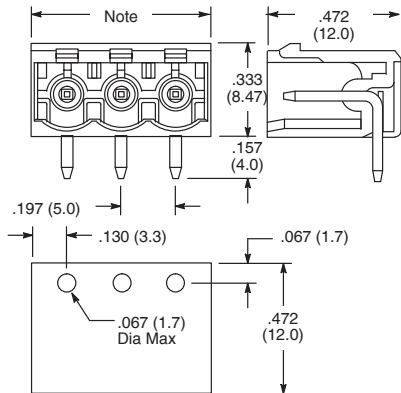
Approval	c
Rated Voltage	300V
Rated Current	15A
Wire Range	-
Solid Wire (AWG)	-
Stranded Wire (AWG/mm ²)	-
Rated Surge Voltage (UL/Max.)	1.6KV / 4KV
Torque (Lb-in)	-
Screw Type	-
Wire Strip Length	-

Ordering Information

Number of Poles	NTE Part Number
02	25-E900-02
03	25-E900-03
04	25-E900-04
05	25-E900-05
06	25-E900-06
07	25-E900-07
08	25-E900-08
09	25-E900-09
10	25-E900-10
12	25-E900-12

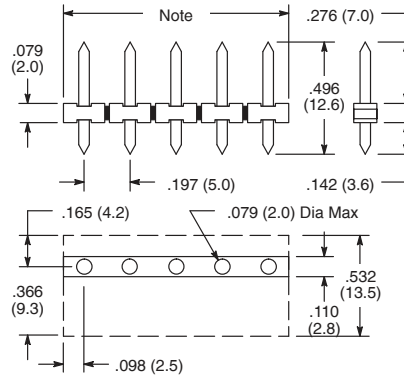
EURO-STYLE TERMINAL BLOCKS

25-E1000 Series PCB Socket for Pluggable Types



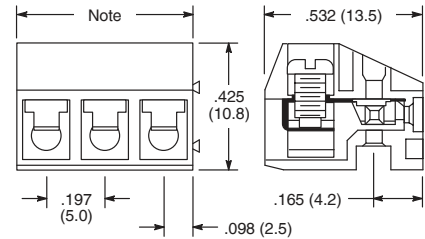
Note: .197 (5.0) x P + .063 (1.6)

25-E1500 Series Wire Protector



Note: .197 (5.0) x P

25-E1600 Series Wire Protector



Note: .197 (5.0) x P

Pitch: 5mm

Specifications

Approval	
Rated Voltage	300V
Rated Current	15A
Wire Range	-
Solid Wire (AWG)	-
Stranded Wire (AWG/mm ²)	-
Rated Surge Voltage (UL/Max.)	1.6KV / 4KV
Torque (Lb-in)	-
Screw Type	-
Wire Strip Length	-

Pitch: 5mm

Specifications

Approval	
Rated Voltage	300V
Rated Current	7A
Wire Range	-
Solid Wire (AWG)	-
Stranded Wire (AWG/mm ²)	-
Rated Surge Voltage (UL/Max.)	1.6KV / 4KV
Torque (Lb-in)	-
Screw Type	-
Wire Strip Length	-

Pitch: 5mm

Specifications

Approval	
Rated Voltage	300V
Rated Current	7A
Wire Range	-
Solid Wire (AWG)	22 - 14
Stranded Wire (AWG/mm ²)	22 - 14
Rated Surge Voltage (UL/Max.)	1.6KV / 4KV
Torque (Lb-in)	2.7
Screw Type	M2.5
Wire Strip Length	.197 - .236" (5 - 6mm)

Ordering Information

Number of Poles	NTE Part Number
02	25-E1000-02
03	25-E1000-03
04	25-E1000-04
05	25-E1000-05
06	25-E1000-06
07	25-E1000-07
08	25-E1000-08
09	25-E1000-09
10	25-E1000-10
12	25-E1000-12

Ordering Information

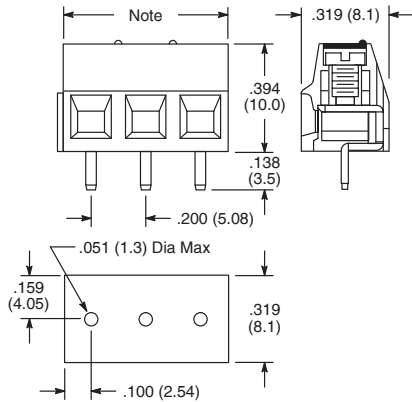
Number of Poles	NTE Part Number
02	25-E1500-02
03	25-E1500-03
04	25-E1500-04
05	25-E1500-05
06	25-E1500-06
07	25-E1500-07
08	25-E1500-08
09	25-E1500-09
10	25-E1500-10
11	25-E1500-11
12	25-E1500-12

Ordering Information

Number of Poles	NTE Part Number
02	25-E1600-02
03	25-E1600-03
04	25-E1600-04
05	25-E1600-05
06	25-E1600-06
07	25-E1600-07
08	25-E1600-08
09	25-E1600-09
10	25-E1600-10
11	25-E1600-11
12	25-E1600-12

EURO-STYLE TERMINAL BLOCKS

25-E500 Series PC Mount



Note: .200 (5.08) x P

Pitch: 5.08mm

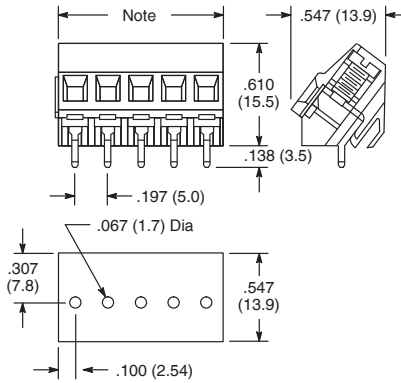
Specifications

Approval	
Rated Voltage	300V
Rated Current	13.5A
Wire Range	-
Solid Wire (AWG)	30 - 14
Stranded Wire (AWG/mm ²)	30 - 14
Rated Surge Voltage (UL/Max.)	1.6KV / 3KV
Torque (Lb-in)	5
Screw Type	M2.5
Wire Strip Length	.236 - .276" (6 - 7mm)

Ordering Information

Number of Poles	NTE Part Number
02	25-E500-02
03	25-E500-03

25-E600 Series PC Mount



Note: .200 (5.08) x P

Pitch: 5.08mm

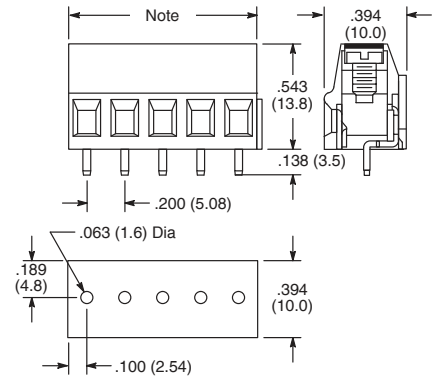
Specifications

Approval	
Rated Voltage	300V
Rated Current	20A
Wire Range	-
Solid Wire (AWG)	24 - 12
Stranded Wire (AWG/mm ²)	24 - 12
Rated Surge Voltage (UL/Max.)	1.6KV / 3KV
Torque (Lb-in)	4.4
Screw Type	M2.5
Wire Strip Length	.236 - .276" (6 - 7mm)

Ordering Information

Number of Poles	NTE Part Number
02	25-E600-02
03	25-E600-03

25-E700 Series PC Mount



Note: .200 (5.08) x P

Pitch: 5.08mm

Specifications

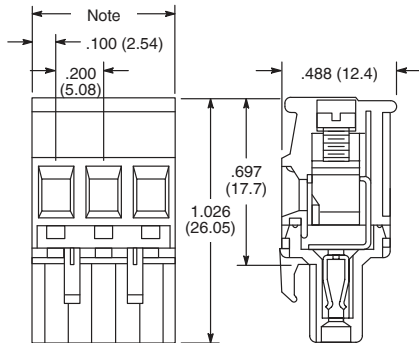
Approval	
Rated Voltage	300V
Rated Current	20A
Wire Range	-
Solid Wire (AWG)	24 - 12
Stranded Wire (AWG/mm ²)	24 - 12
Rated Surge Voltage (UL/Max.)	1.6KV / 3KV
Torque (Lb-in)	4.4
Screw Type	M2.5
Wire Strip Length	.236 - .276" (6 - 7mm)

Ordering Information

Number of Poles	NTE Part Number
02	25-E700-02
03	25-E700-03
04	25-E700-04
05	25-E700-05
06	25-E700-06
07	25-E700-07
08	25-E700-08
09	25-E700-09
10	25-E700-10

EUROSTYLE TERMINAL BLOCKS

25-E1100 Series Plug for Pluggable Types



Note: .200 (5.08) x P

Pitch: 5.08mm

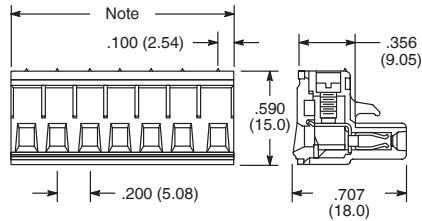
Specifications

Approval	c US
Rated Voltage	300V
Rated Current	15A
Wire Range	-
Solid Wire (AWG)	28 - 12
Stranded Wire (AWG/mm ²)	30 - 12
Rated Surge Voltage (UL/Max.)	1.6KV / 3KV
Torque (Lb-in)	4.5
Screw Type	M2.5
Wire Strip Length	.276 - .315" (7 - 8mm)

Ordering Information

Number of Poles	NTE Part Number
02	25-E1100-02
03	25-E1100-03
04	25-E1100-04
05	25-E1100-05
06	25-E1100-06
08	25-E1100-08
10	25-E1100-10

25-E1200 Series Plug for Pluggable Types



Note: .200 (5.08) x P

Pitch: 5.08mm

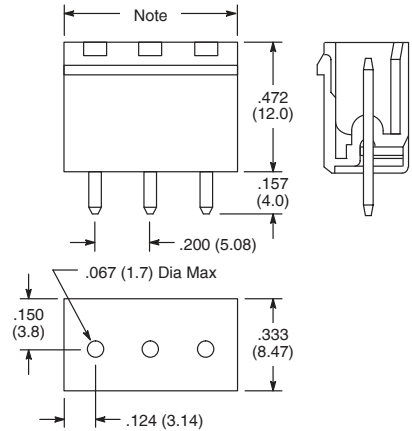
Specifications

Approval	c US
Rated Voltage	300V
Rated Current	15A
Wire Range	-
Solid Wire (AWG)	28 - 12
Stranded Wire (AWG/mm ²)	30 - 12
Rated Surge Voltage (UL/Max.)	1.6KV / 4KV
Torque (Lb-in)	4.5
Screw Type	2.5
Wire Strip Length	.276 - .315" (7 - 8mm)

Ordering Information

Number of Poles	NTE Part Number
02	25-E1200-02
03	25-E1200-03
04	25-E1200-04
05	25-E1200-05
06	25-E1200-06
08	25-E1200-08
10	25-E1200-10
12	25-E1200-12

25-E1300 Series PCB Socket for Pluggable Types



Note: .200 (5.08) x (P-1) + .247 (6.28)

Pitch: 5.08mm

Specifications

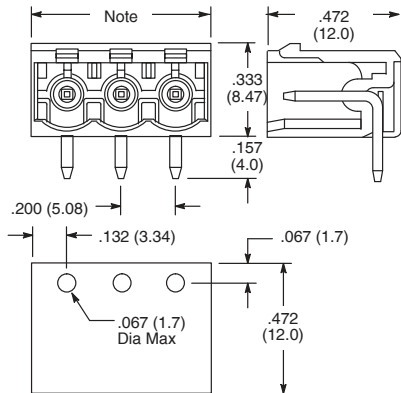
Approval	c US
Rated Voltage	300V
Rated Current	15A
Wire Range	-
Solid Wire (AWG)	-
Stranded Wire (AWG/mm ²)	-
Rated Surge Voltage (UL/Max.)	1.6KV / 4KV
Torque (Lb-in)	-
Screw Type	-
Wire Strip Length	-

Ordering Information

Number of Poles	NTE Part Number
02	25-E1300-02
03	25-E1300-03
04	25-E1300-04
05	25-E1300-05
06	25-E1300-06
08	25-E1300-08
10	25-E1300-10
12	25-E1300-12

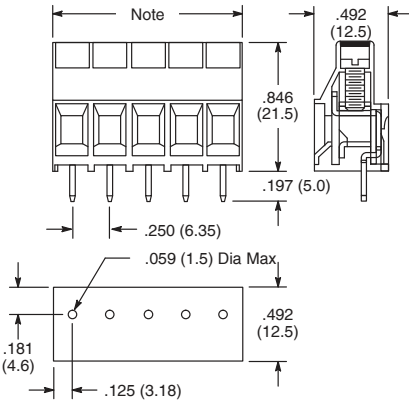
EUROSTYLE TERMINAL BLOCKS

25-E1400 Series PCB Socket for Pluggable Types



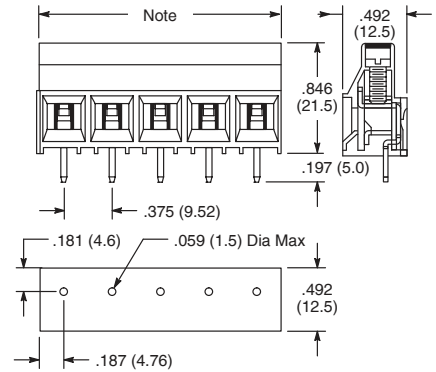
Note: .200 (5.08) x P + .063 (1.6)

25-E1700 Series PC Mount



Note: .250 (6.35) x (P-1) + .251 (6.36)

25-E1800 Series PC Mount



Note: .375 (9.52) x (P-1) + .375 (9.52)

Pitch: 5.08mm

Specifications

Approval	
Rated Voltage	300V
Rated Current	15A
Wire Range	-
Solid Wire (AWG)	-
Stranded Wire (AWG/mm ²)	-
Rated Surge Voltage (UL/Max.)	1.6KV / 4KV
Torque (Lb-in)	-
Screw Type	-
Wire Strip Length	-

Pitch: 6.35mm

Specifications

Approval	
Rated Voltage	300V
Rated Current	30A
Wire Range	-
Solid Wire (AWG)	26 - 10
Stranded Wire (AWG/mm ²)	26 - 10
Rated Surge Voltage (UL/Max.)	1.6KV / 4KV
Torque (Lb-in)	7
Screw Type	M3
Wire Strip Length	.394 - .433" (10 - 11mm)

Pitch: 9.52mm

Specifications

Approval	
Rated Voltage	300V / 600V
Rated Current	30A / 5A
Wire Range	-
Solid Wire (AWG)	26 - 10
Stranded Wire (AWG/mm ²)	26 - 10
Rated Surge Voltage (UL/Max.)	2.2KV / 4KV
Torque (Lb-in)	4.4
Screw Type	M3
Wire Strip Length	.236 - .276" (6 - 7mm)

Ordering Information

Number of Poles	NTE Part Number
02	25-E1400-02
03	25-E1400-03
04	25-E1400-04
05	25-E1400-05
06	25-E1400-06
08	25-E1400-08
10	25-E1400-10
12	25-E1400-12

Ordering Information

Number of Poles	NTE Part Number
02	25-E1700-02
03	25-E1700-03

Ordering Information

Number of Poles	NTE Part Number
02	25-E1800-02
03	25-E1800-03