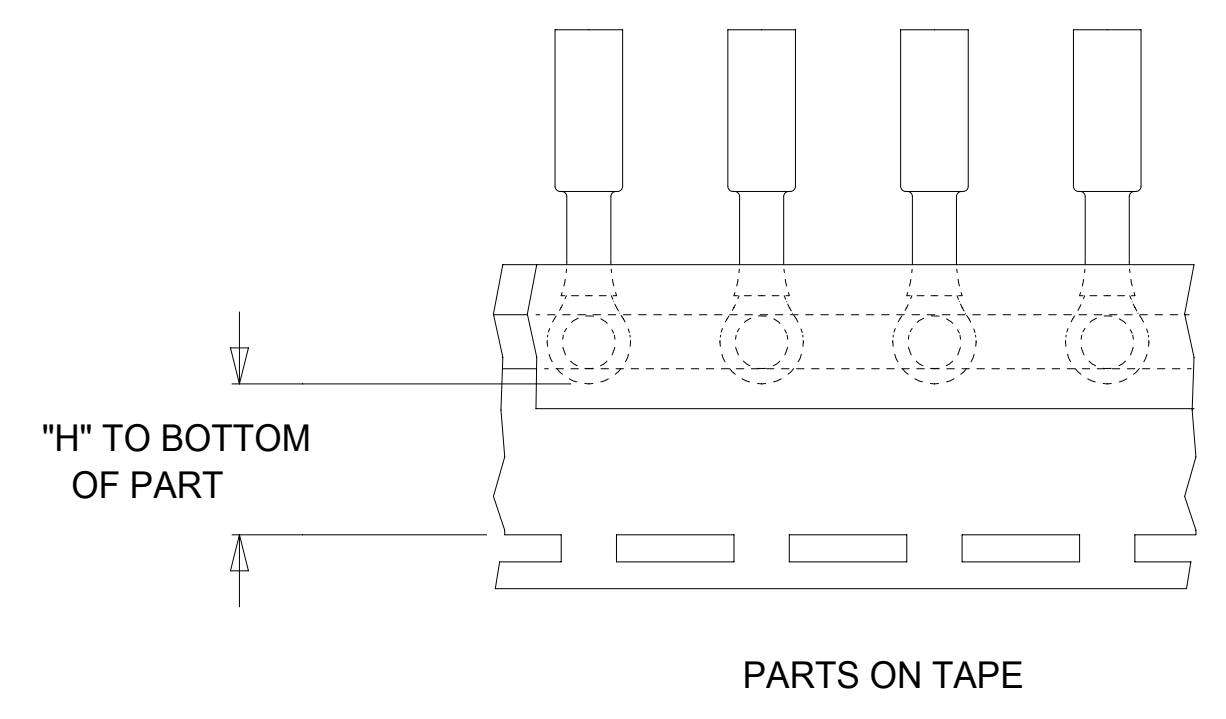
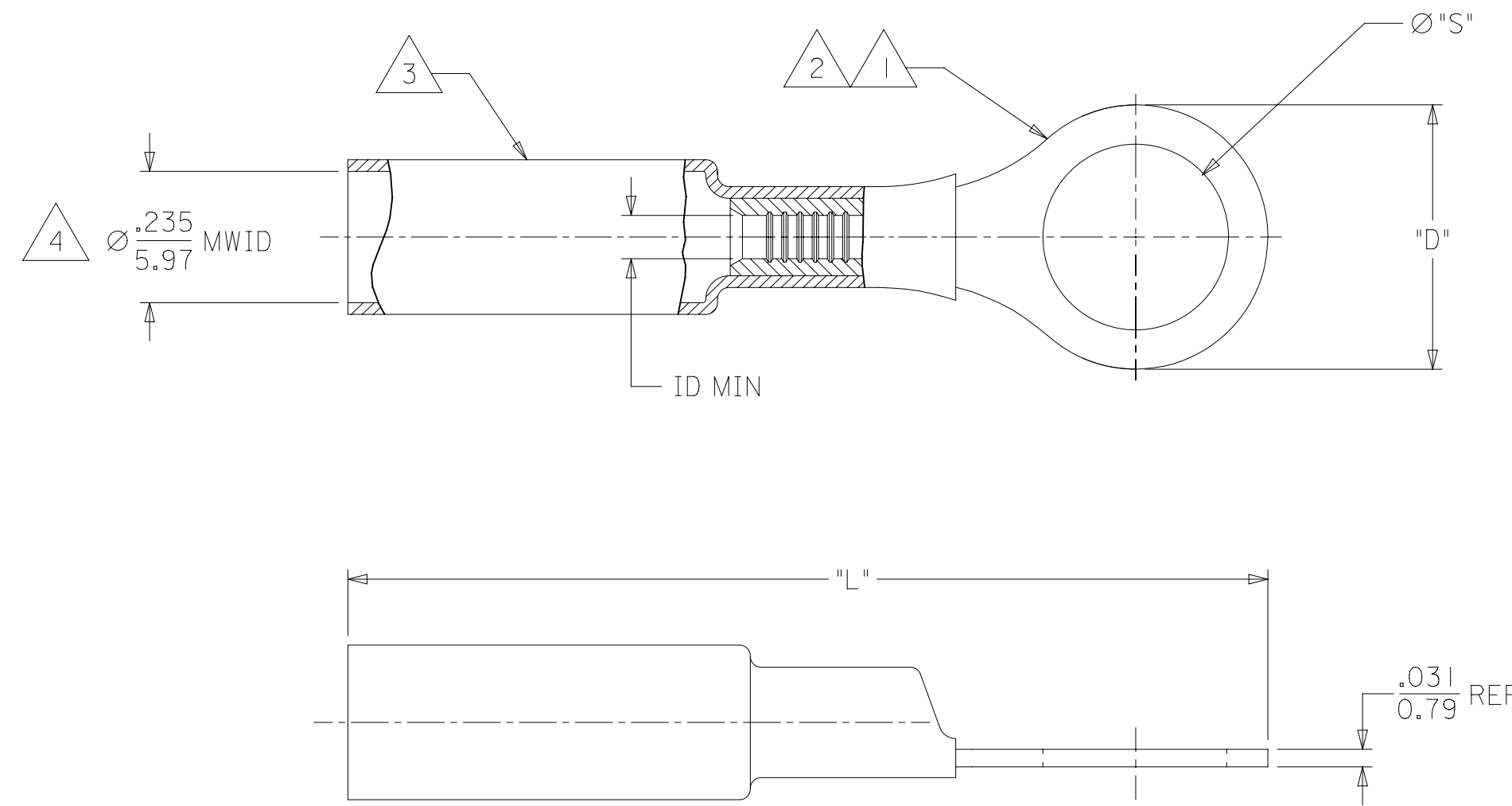


MAT'L NO.	ENG NO.	MAT'L NO. (TAPE)	ENG NO. (TAPE)	STUD SIZE	"S" ±.005 (0.03)	"D" MAX	"H" REF	"L" MAX	ID MIN
191640031	SB-237-04	-----	-----	#4	.119/3.02	.320/8.17	-----	1.45/36.8	.082/2.08
191640032	SB-237-06	191640310	SB-237-06T	#6	.146/3.71	.320/8.17	.545/13.84	1.45/36.8	.082/2.08
191640033	SB-237-08	191640311	SB-237-08T	#8	.173/4.39	.320/8.17	.545/13.84	1.45/36.8	.082/2.08
191640034	SB-237-10	191640312	SB-237-10T	#10	.198/5.03	.320/8.17	.545/13.84	1.45/36.8	.082/2.08
191640025	SB-225-10	-----	-----	#10	.198/5.03	.475/12.07	-----	1.63/41.4	.082/2.08
191640026	SB-225-14	191640308	SB-225-14T	1/4	.265/6.73	.475/12.07	.363/9.22	1.63/41.4	.082/2.08
191640027	SB-225-56	191640309	SB-225-56T	5/16	.328/8.33	.475/12.07	.363/9.22	1.63/41.4	.082/2.08
191640020	SB-218-38	191640307	SB-218-38T	3/8	.390/9.91	.544/13.82	.340/8.64	1.68/42.67	.082/2.08
<b>191640022</b>	<b>SB-223-06</b>	---	---	<b>#6</b>	<b>.146/3.71</b>	<b>.255/6.48</b>	---	<b>1.26/32.0</b>	<b>.082/2.08</b>



- NOTE(S):
- 1 TERMINAL MATERIAL: COPPER ALLOY
  - 2 FINISH: ELECTRO TIN PLATE.
  - 3 INSULATION MATERIAL: HEAT SHRINKABLE TUBING WITH HOTMELT ADHESIVE INNER LINER. COLOR: BLUE
  - 4 MWID = MAXIMUM WIRE UNSULATION DIAMETER.
  - 5. PARTS ARE RoHS COMPLIANT.

FUNCTIONAL SYMBOLS	THIS DRAWING CONTAINS INFORMATION THAT IS PROPRIETARY TO MOLEX ELECTRONIC TECHNOLOGIES, LLC AND SHOULD NOT BE USED WITHOUT WRITTEN PERMISSION											
	DIMENSION UNITS	SCALE		CURRENT REV DESC: ENG PN#: SB-237-** "H" REF DIM .545 WAS .527 & SB-225-** "H" REF DIM .363 WAS .338								
$F_A = 0$	IN/MM	NTS		GENERAL TOLERANCES (UNLESS SPECIFIED)								
$F_C = 0$	4 PLACES ±		MM	INCH		EC NO: 692404						
$F_P = 0$	3 PLACES ±				DRWN: DMYRICK 2022/01/17							
DIVISIONAL SYMBOLS	2 PLACES ±				CHK'D: JMACNEIL 2022/01/17							
	1 PLACE ±				APPR: JMACNEIL 2022/01/17							
0 PLACES ±				INITIAL REVISION:				DOCUMENT NUMBER		DOC TYPE	DOC PART	REVISION
ANGULAR TOL ± °				DRWN:				SD-19164-026		PSD	001	C5
DRAFT WHERE APPLICABLE MUST REMAIN WITHIN DIMENSIONS		THIRD ANGLE PROJECTION		DRAWING		SERIES		MATERIAL NUMBER		CUSTOMER		SHEET NUMBER
				C-SIZE		19164		SEE CHART		GENERAL MARKET		1 OF 1