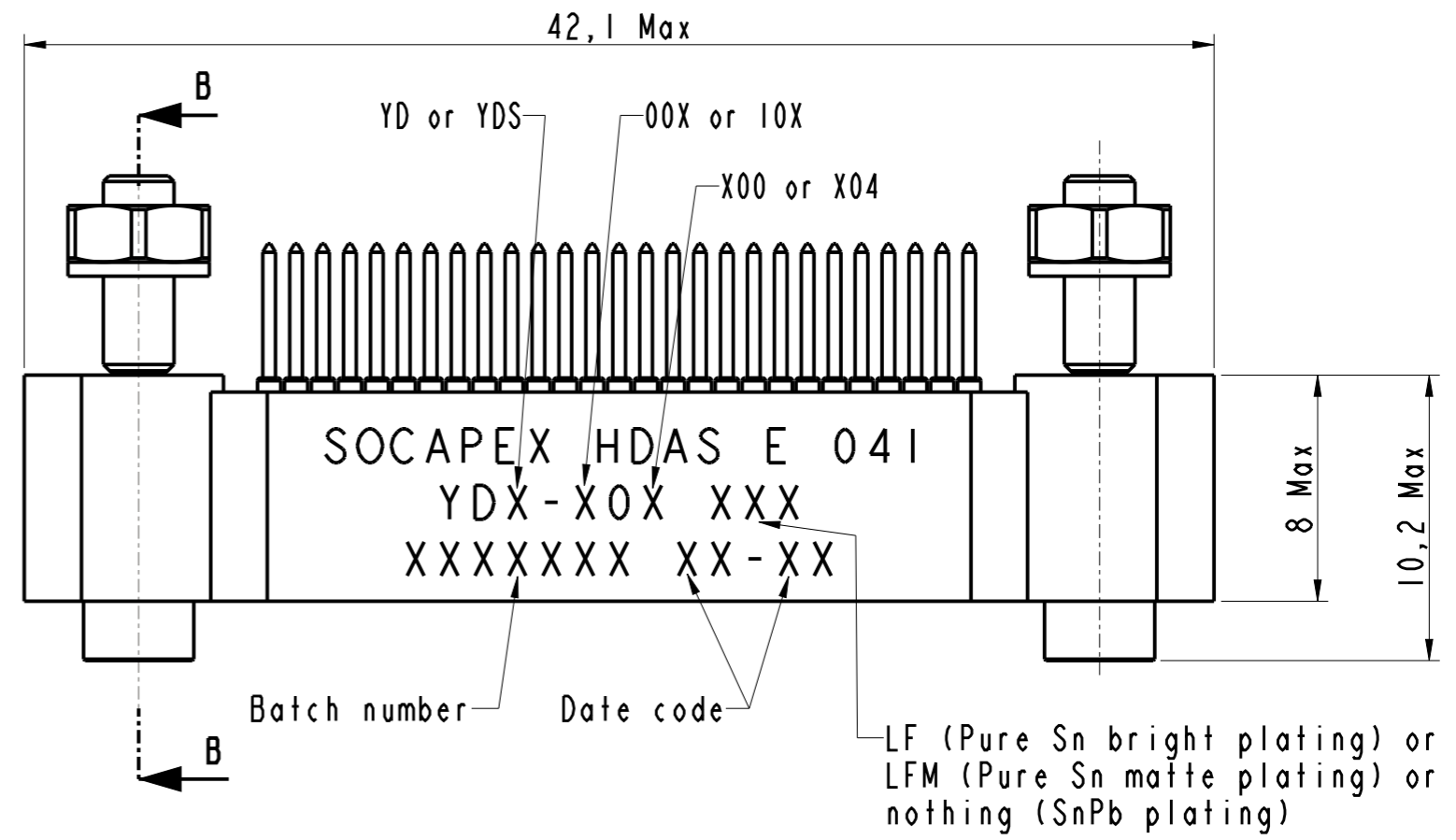
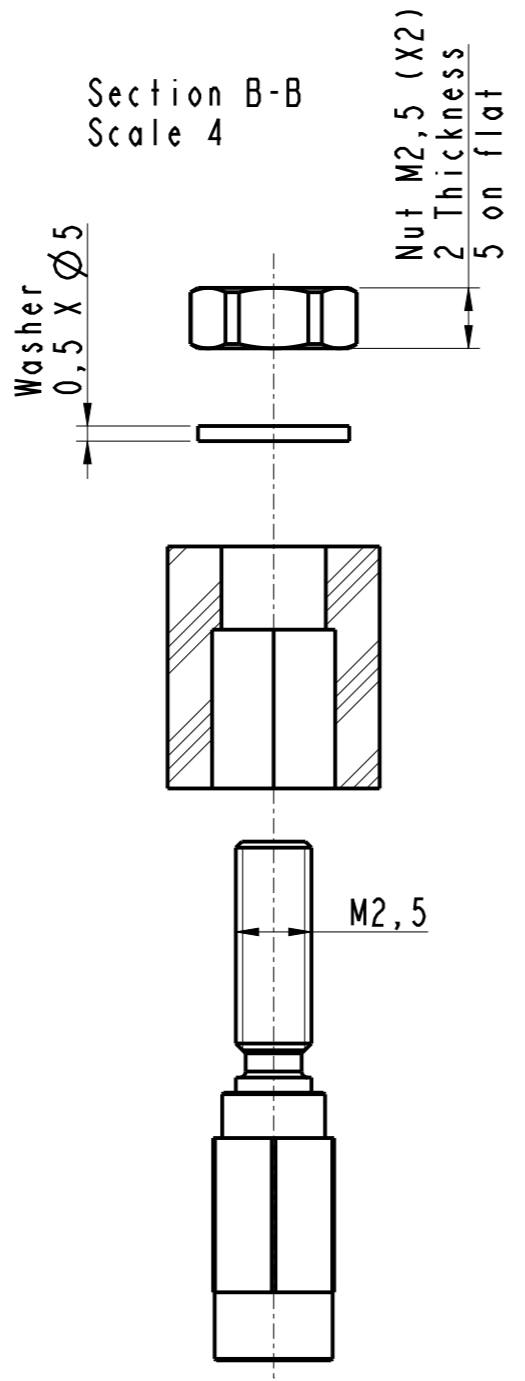
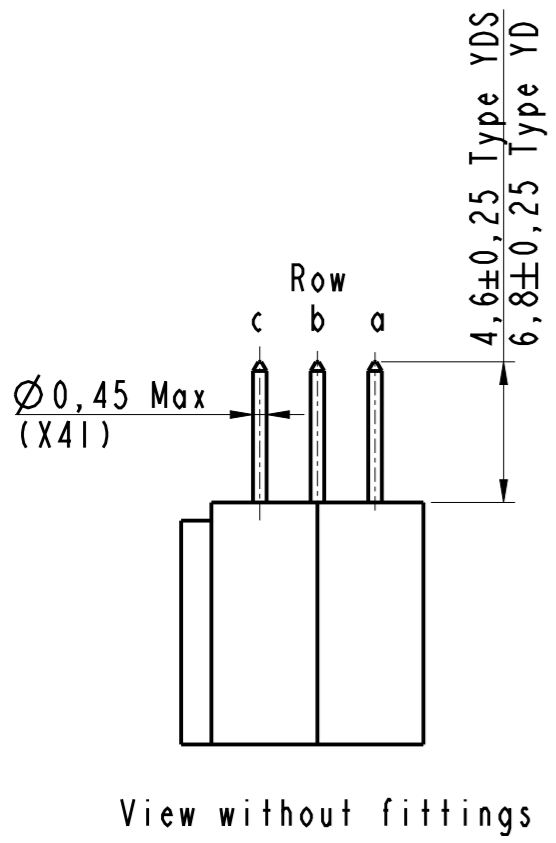
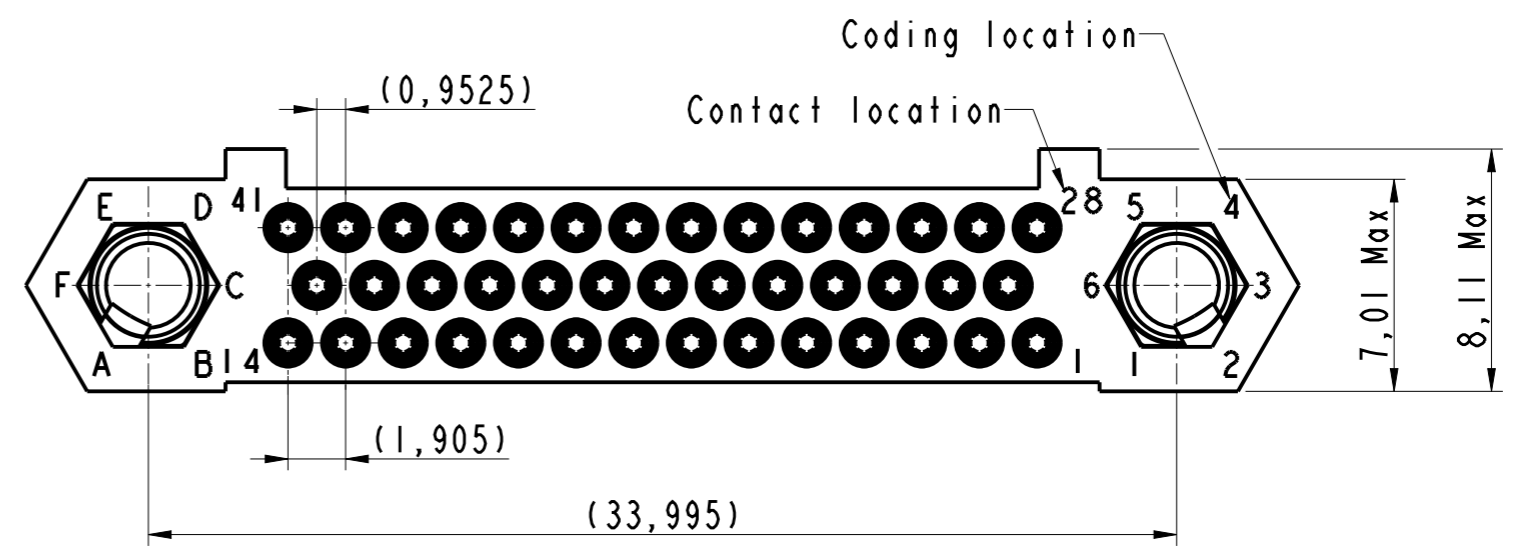
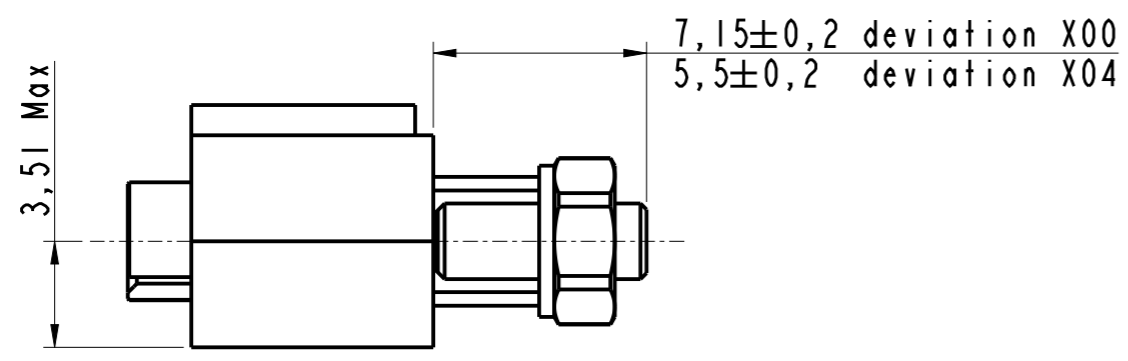


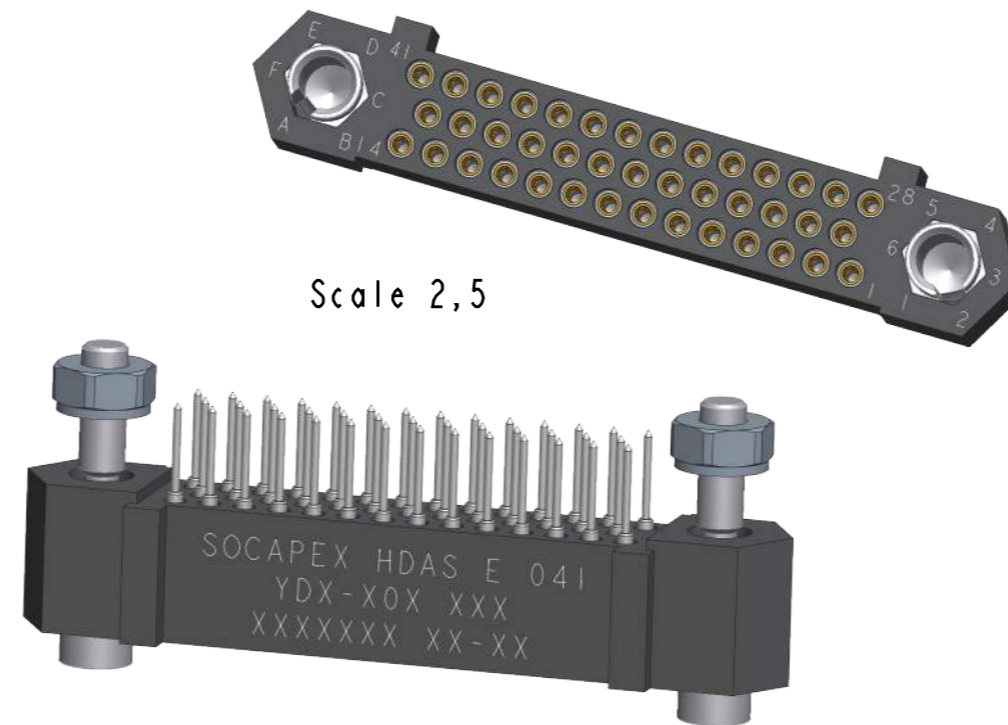
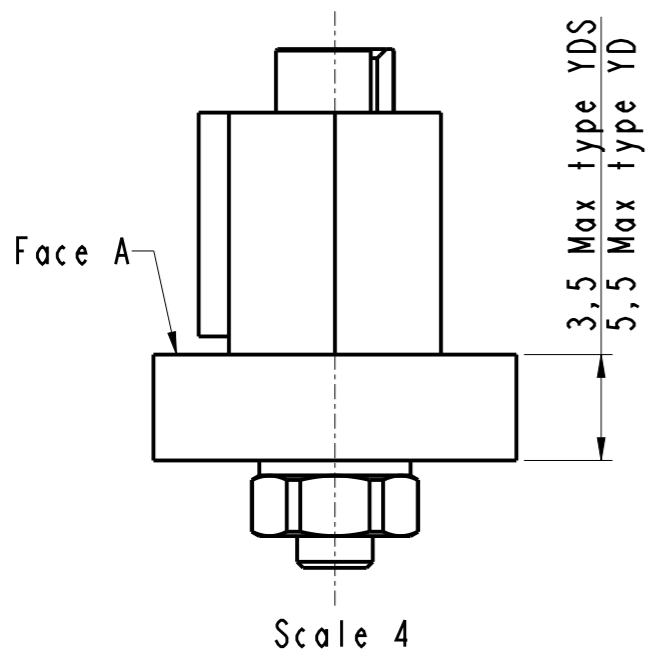
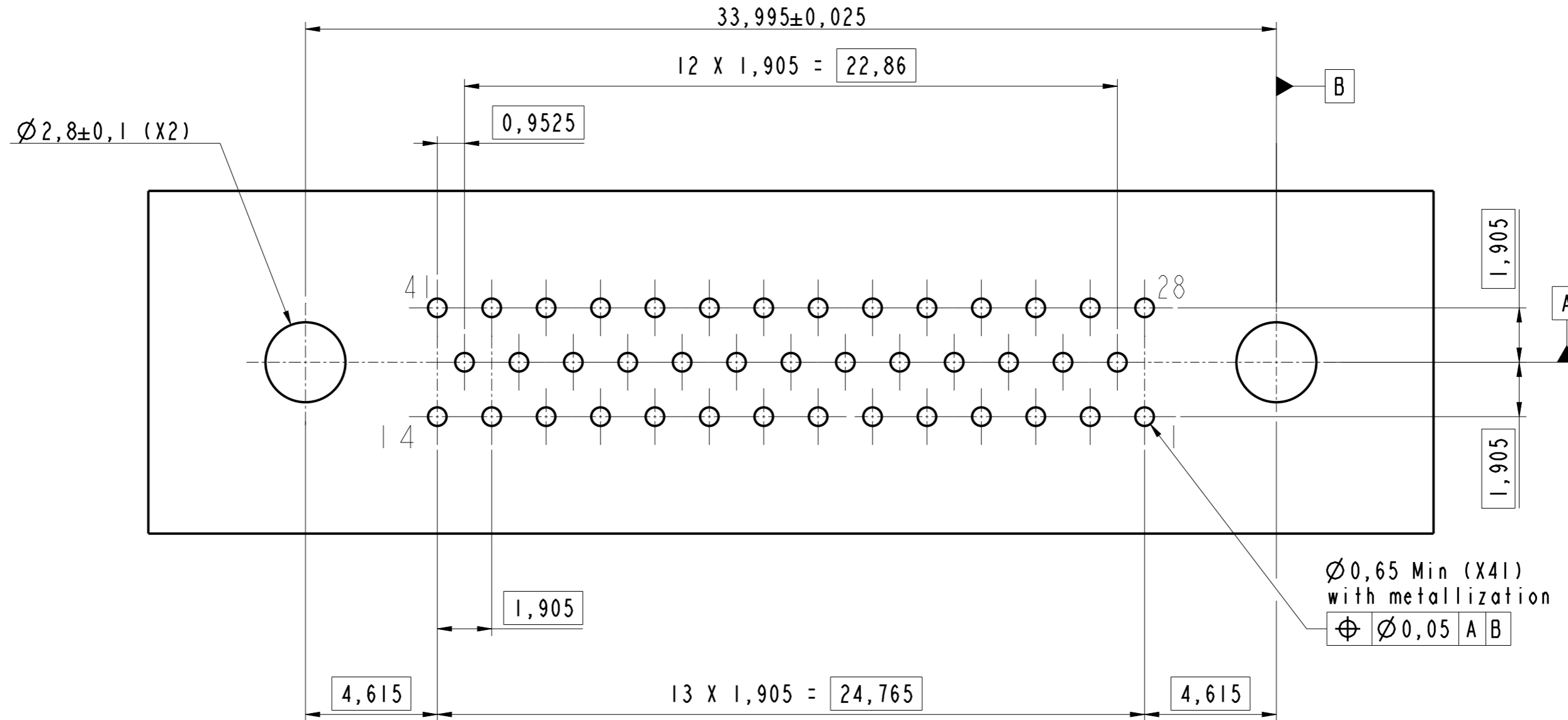
IN THE CONSTANT PURPOSE OF IMPROVING ITS PRODUCTS, AMPHENOL SOCAPEX RESERVES THE RIGHT TO MODIFY ANY DIMENSION OR CHARACTERISTICS.
FM.NPD.0036.THYEZ.PUNE rev C



- Notes:
- Part: HDAS E 041 YDX-XOX XXX
 - External dimensions of a receptacle insulator with 41 signal contacts type YDX
 - Connector delivered with fittings not assembled, coupling torque : 0,25 Nm
 - Standard 00X : Nickel plated over brass fittings.
Deviation 10X : Passivated stainless steel fittings.

HDAS E 041 YDX-XOX XXX			
DRAWN BY: S Satpute	UPDATED BY: S Satpute	LAST APPROVED BY: T Carrier	
ALL DIMENSIONS ARE IN MM	AMPHENOL SOCAPEX B.P. 29 74311 THYEZ CEDEX	ORIGINAL DRAWING DATE: 10/12/2018	CONFIGURATION DATA ARE AVAILABLE IN PDM
SCALE: 4		REV: F	PAGE: 1/2
		169-PLC-1421-00	

PCB Layout Face A



HDAS E 041 YDX-X0X XXX

DRAWN BY : S Satpute	UPDATED BY : S Satpute	LAST APPROVED BY : T Carrier	
ALL DIMENSIONS ARE IN MM	AMPHENOL SOCAPEX	ORIGINAL DRAWING DATE : 10/12/2018	CONFIGURATION DATA ARE AVAILABLE IN PDM
SCALE : 6		REV : F	PAGE : 2/2
B.P. 29 74311 THYEZ CEDEX		169-PLC-1421-00	

IN THE CONSTANT PURPOSE OF IMPROVING ITS PRODUCTS, Amphenol Socapex reserves the right to modify any dimension or characteristics. FM.NPD.0036.THYEZ.PUNE rev C