

Evaluating the **ADF5356** Frequency Synthesizer for Phase-Locked Loops

FEATURES

Self contained board, including **ADF5356** frequency synthesizer with integrated voltage controlled oscillator (VCO), differential 122.88 MHz temperature controlled crystal oscillator (TCXO), loop filter (5 kHz), USB interface, and voltage regulators

Windows-based software allows control of synthesizer functions from a PC

Externally powered by 6 V

EQUIPMENT NEEDED

Windows-based PC with USB port for evaluation software
 System demonstration platform, serial only (**SDP-S**)

EVAL-SDP-CS1Z controller board

Power supply (6 V)

Spectrum analyzer

50 Ω terminators

EVALUATION KIT CONTENTS

EV-ADF5356SD1Z

USB cable

ONLINE RESOURCES

Documents Needed

ADF5356 data sheet

EV-ADF5356SD1Z user guide

PLL Software Installation Guide

Required Software

Analog Devices, Inc., **ADF5356** software, Version 1.1.6 or higher (download at www.analog.com/ADF5356)

GENERAL DESCRIPTION

The EV-ADF5356SD1Z evaluates the performance of the **ADF5356** frequency synthesizer with integrated VCO for phase-locked loops (PLLs). A photograph of the evaluation board is shown in Figure 1. The evaluation board contains the **ADF5356** synthesizer with integrated VCO, a differential 122.88 MHz reference TCXO, a loop filter, a USB interface, power supply connectors, and subminiature Version A (SMA) connectors. A USB cable is included to connect the board to a PC USB port.

For easy programming of the synthesizer, download the Windows®-based software from www.analog.com/ADF5356.

This board requires an **SDP-S** controller board that is not supplied with the kit. The **SDP-S** controller board allows software programming of the **ADF5356** device.

For full details on the **ADF5356**, see the **ADF5356** data sheet, which must be consulted in conjunction with this user guide when using this evaluation board.

EV-ADF5356SD1Z EVALUATION BOARD PHOTOGRAPH

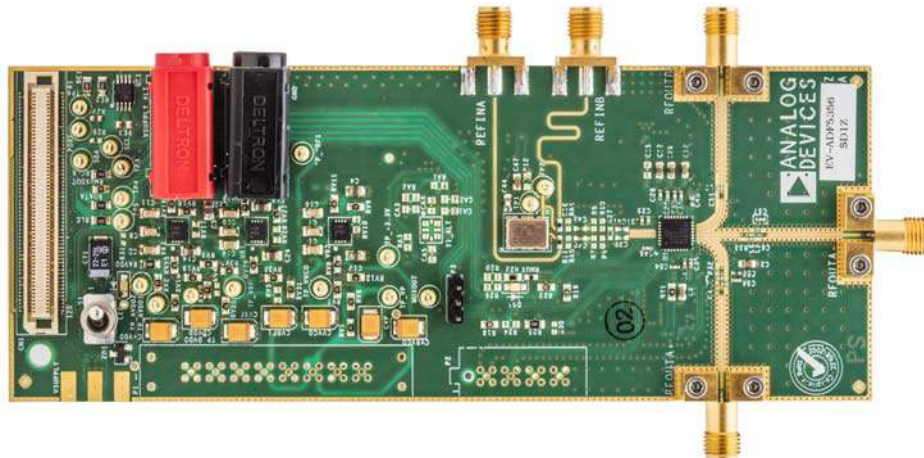


Figure 1.

15361-001

TABLE OF CONTENTS

Features	1	RF Output.....	4
Equipment Needed.....	1	Loop Filter.....	4
Evaluation Kit Contents.....	1	Reference Source	4
Online Resources.....	1	Default Configuration	4
General Description	1	Evaluation Board Setup	5
Evaluation Board Photograph.....	1	Evaluation Board Software.....	6
Revision History	2	Main Controls.....	6
Getting Started	3	Evaluation and Test	7
Software Installation Procedures.....	3	Evaluation Board Schematics and Artwork.....	8
Evaluation Board Setup Procedures.....	3	Ordering Information.....	17
Evaluation Board Hardware.....	4	Bill of Materials.....	17
Power Supplies	4		

REVISION HISTORY

8/2017—Revision 0: Initial Version

GETTING STARTED

SOFTWARE INSTALLATION PROCEDURES

See the [ADF5356](#) product page for the EV-ADF5356SD1Z control software. For the software installation procedure, see the [PLL Software Installation Guide](#).

EVALUATION BOARD SETUP PROCEDURES

To run the software,

1. Click the **ADF5356** file on the desktop or from the **Start** menu.
2. On the **Select Device and Connection** tab, click **ADF5356** and **SDP board (black)**, and then click **Connect** (see Figure 2).
3. When connecting the board, allow 5 sec to 10 sec for the label on the status bar to change.

Under the **File** menu, the current settings can be saved to, and loaded from, a text file.

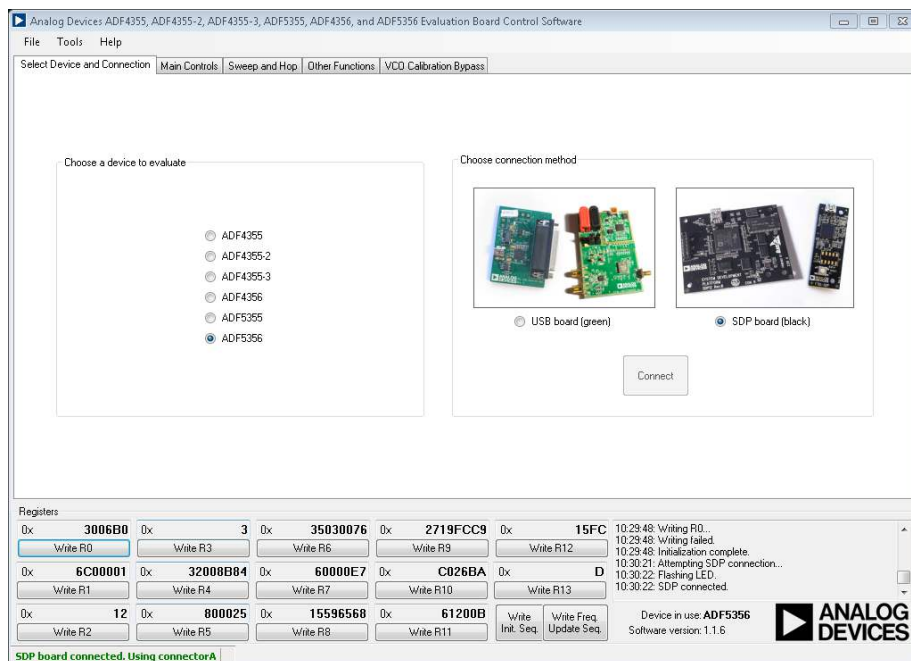


Figure 2. Software Front Panel Display—Select Device and Connection

EVALUATION BOARD HARDWARE

The EV-ADF5356SD1Z requires an [SDP-S](#) controller board, [EVAL-SDP-CS1Z](#) ([SDP-B](#) is not recommended).

The EV-ADF5356SD1Z schematics are shown in Figure 7, Figure 8, and Figure 9. The silkscreens for the evaluation board are shown in Figure 10 and Figure 11.

POWER SUPPLIES

The board is powered by a 6 V power supply connected to the red and black banana connectors. Connect the red connector to a 6 V power supply and the black connector to ground.

The power supply circuitry allows the user two or three separate low dropout (LDO) regulators to feed the [ADF5356](#) (using fewer LDO regulators increases the risk of spur contaminated dc feeds).

The charge pump and VCO supply pins are powered from a 5 V [ADM7150](#) high performance, low noise regulator. The remaining supplies are powered from a 3.3 V [ADM7150](#) high performance, low noise regulator.

LED1 indicates when the [ADF5356](#) is powered on. Use Switch S1 to switch the 6 V power to the board on and off.

RF OUTPUT

The EV-ADF5356SD1Z has one pair of SMA output connectors: RFOUTA+ and RFOUTA- (differential outputs). Because they are sensitive to impedance mismatch, connect the RF outputs to equal load impedances. If using only one port of a differential pair, terminate the complementary port with an equal load terminator (in general, a 50 Ω terminator).

The RFOUTB SMA connector is a single-ended RF output that operates from 6.8 GHz to 13.6 GHz. If only RFOUTB is used, power off the RFOUTA+ and RFOUTA- connectors. If left on, terminate both RFOUTA+ and RFOUTA- SMA connectors with 50 Ω terminators.

LOOP FILTER

The loop filter schematic is included in the board schematic in Figure 7. Figure 3 shows the loop filter component placements.

For lowest noise at 100 kHz offset, use the following components (that are inserted on the evaluation board) with a 0.9 mA charge pump current:

- C60 = 22 nF, C59 = 0.47 μ F, C61 = 10 nF, C73 = 10 pF
- R14 = 220 Ω , R17 = 470 Ω

For lowest rms phase noise, use the following components with a 0.9 mA charge pump current:

- C60 = 1.2 nF, C59 = 33 nF, C61 = 390 pF, C73 = 10 pF
- R14 = 1 k Ω , R17 = 3.3 k Ω

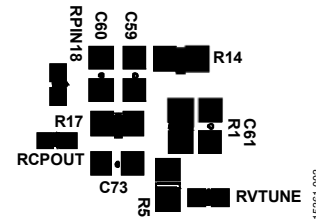


Figure 3. Loop Filter Placement

REFERENCE SOURCE

The evaluation board contains a 122.88 MHz differential output TCXO from Vectron International. If preferred, the user may supply either a single-ended or differential reference input to the REFINA/REFINB SMA connectors. When using an external reference, remove R12 to disconnect the power rail from the TCXO.

To use a single-ended reference, connect a low noise 122.88 MHz reference source to SMA REFINB, and connect a 50 Ω terminator to SMA REFINA. Remove Resistor R27 (100 Ω). To use a differential reference, connect the differential signal to the SMA REFINA and SMA REFINB connectors. The differential REFINA/REFINB SMA connectors can operate at up to a 500 MHz input frequency.

DEFAULT CONFIGURATION

All components necessary for local oscillator generation are inserted on the board. This board is shipped with the [ADF5356](#) synthesizer with an integrated VCO, a differential 122.88 MHz reference TCXO, and a 10 kHz loop filter ($I_{CP} = 0.9$ mA).

EVALUATION BOARD SETUP

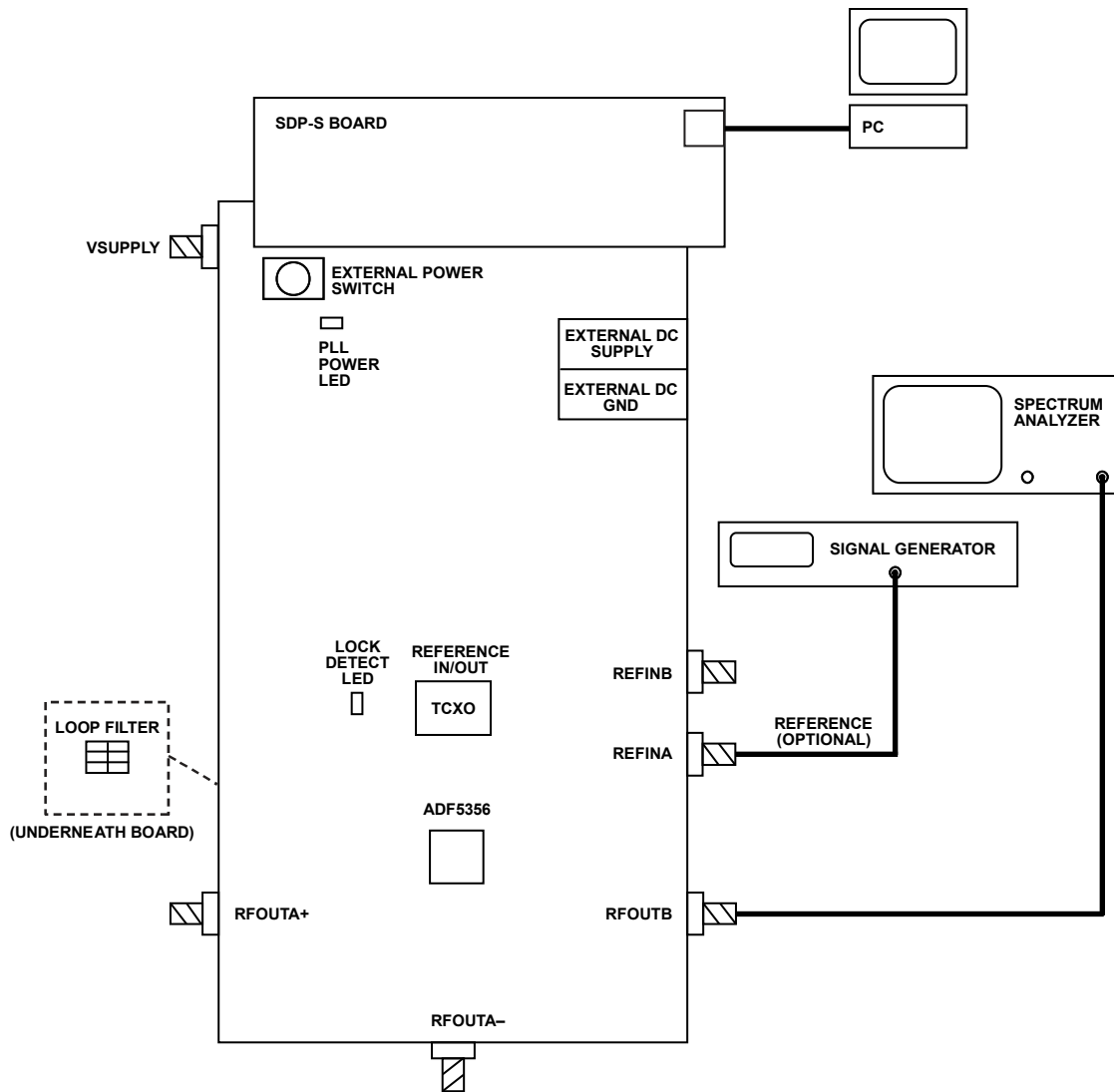


Figure 4. Evaluation Setup Block Diagram

15391-004

EVALUATION BOARD SOFTWARE

MAIN CONTROLS

The **Main Controls** tab (see Figure 5) selects the RF and user configurable register settings. Consult the register descriptions in the **ADF5356** data sheet for details. Default settings are recommended for most registers.

In **RF Settings**, ensure that **VCOout (MHz)** equals the VCO frequency. Set **Output divider** to give the required **RFoutA± (MHz)**.

Ensure that **Reference freq** equals the applied reference signal. The PFD frequency is calculated from the reference frequency, the R counter, the reference doubler, and the reference divide by 2. Ensure that the value in **PFD (MHz)** matches the value specified in the loop filter design.

In **Register 4**, program **CP current** to match the value used for the loop filter design.

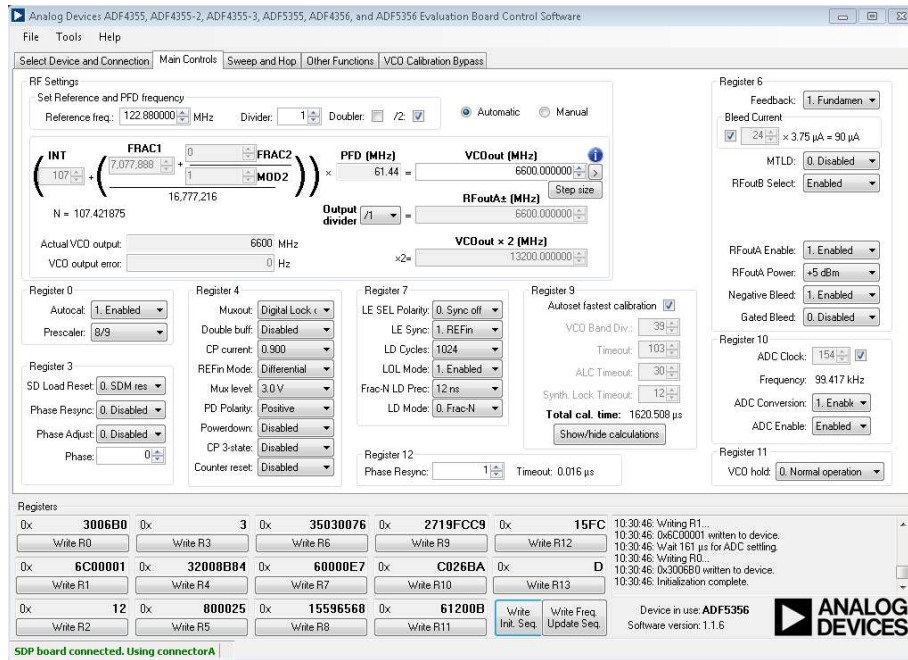


Figure 5. Software Front Panel Display—Main Controls

EVALUATION AND TEST

To evaluate and test the performance of the [ADF5356](#), use the following procedure:

1. Install the [ADF5356](#) software (see the [PLL Software Installation Guide](#)).
2. Follow the hardware driver installation procedure (Windows XP only).
3. Connect a 50 Ω terminator to the RFOUTA– SMA connector.
4. Connect the EV-ADF5356SD1Z board to the [SDP-S](#) board.
5. Connect the 6 V power supply to the banana connectors and power up the board using S1 (check that LED1 is on).
6. Connect the USB cable from the [SDP-S](#) board to the PC.
7. Run the [ADF5356](#) software.
8. Select **ADF5356** and **SDP board (black)** in the **Select Device and Connection** tab of the software front panel display window (see Figure 2).
9. Click the **Main Controls** tab, and set the **VCOout (MHz)** to a frequency of 6600 MHz, and then click **Write Init. Seq.**
10. Connect the spectrum analyzer to the RFOUTA+ SMA connector. See Figure 4 for a typical evaluation setup.
11. Measure the output spectrum and single sideband phase noise.

Figure 6 shows a phase noise plot of the SMA RFOUTA+ with the VCO frequency equal to 6.6 GHz.

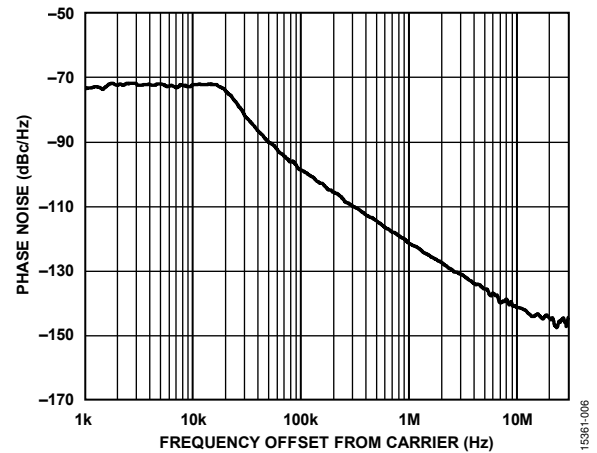


Figure 6. Single Sideband Phase Noise

EVALUATION BOARD SCHEMATICS AND ARTWORK

700-19651

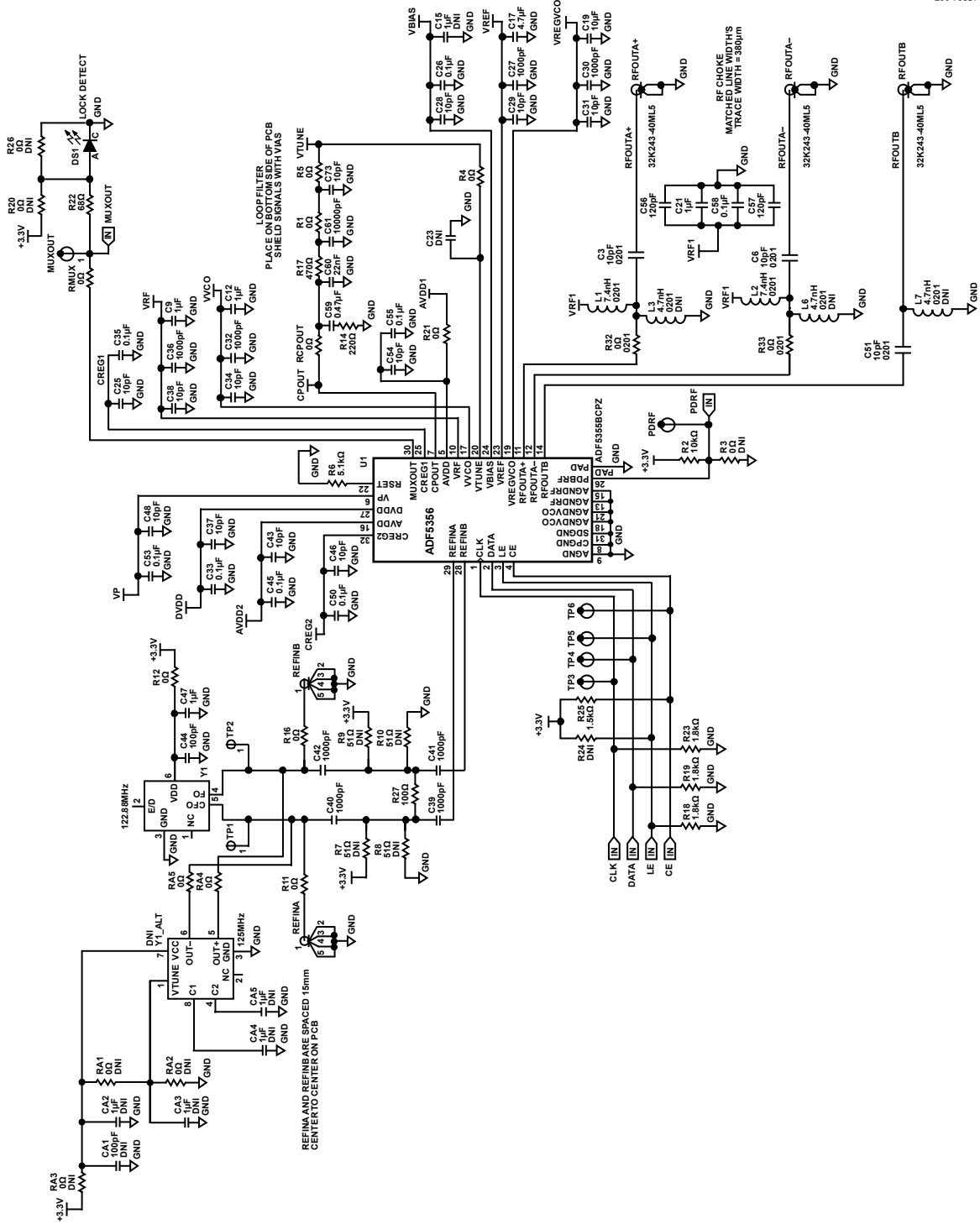


Figure 7. Evaluation Board Schematic—Page 1

8001-008

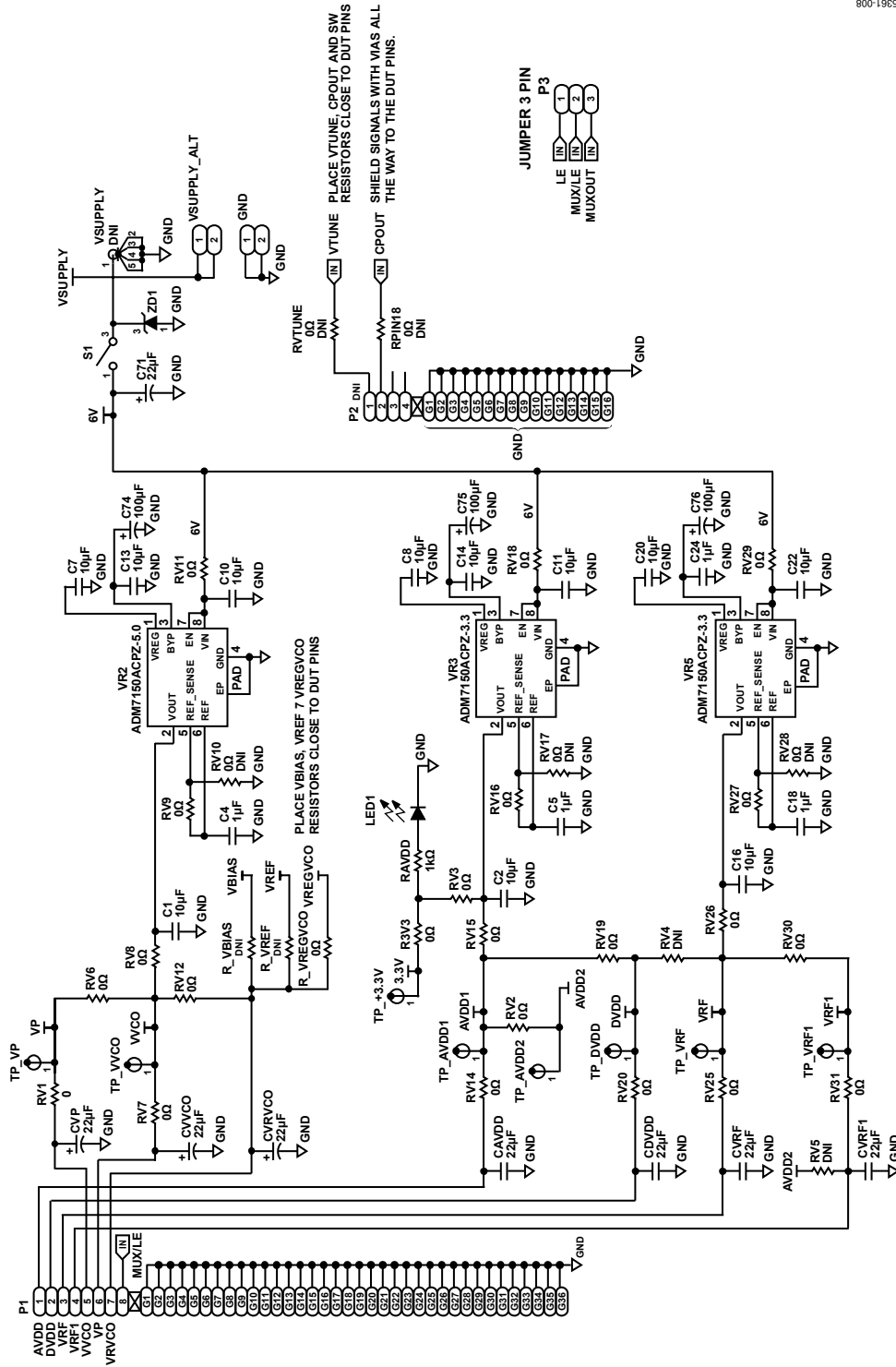


Figure 8. Evaluation Board Schematic—Page 2

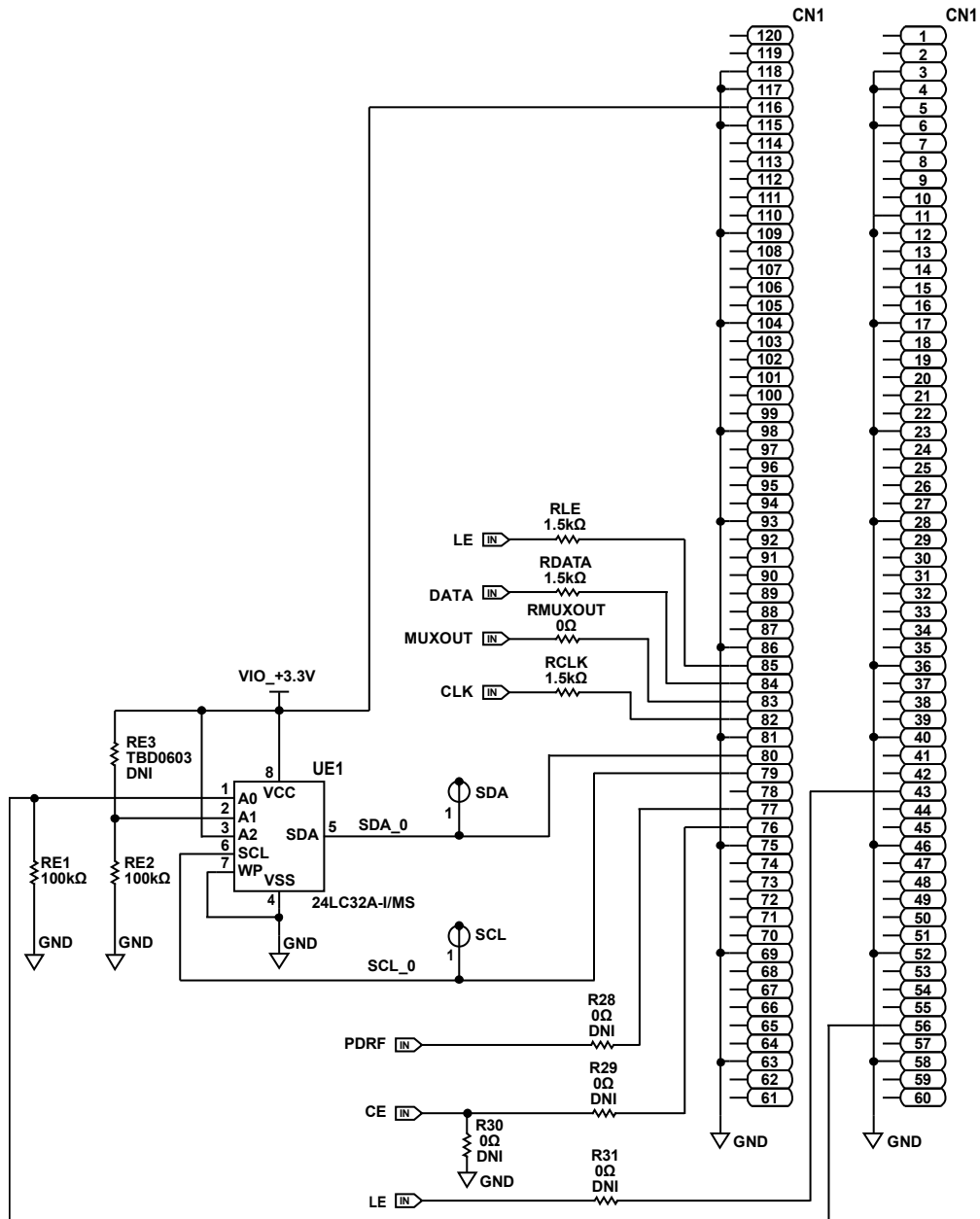


Figure 9. Evaluation Board Schematic—Page 3

15391-009

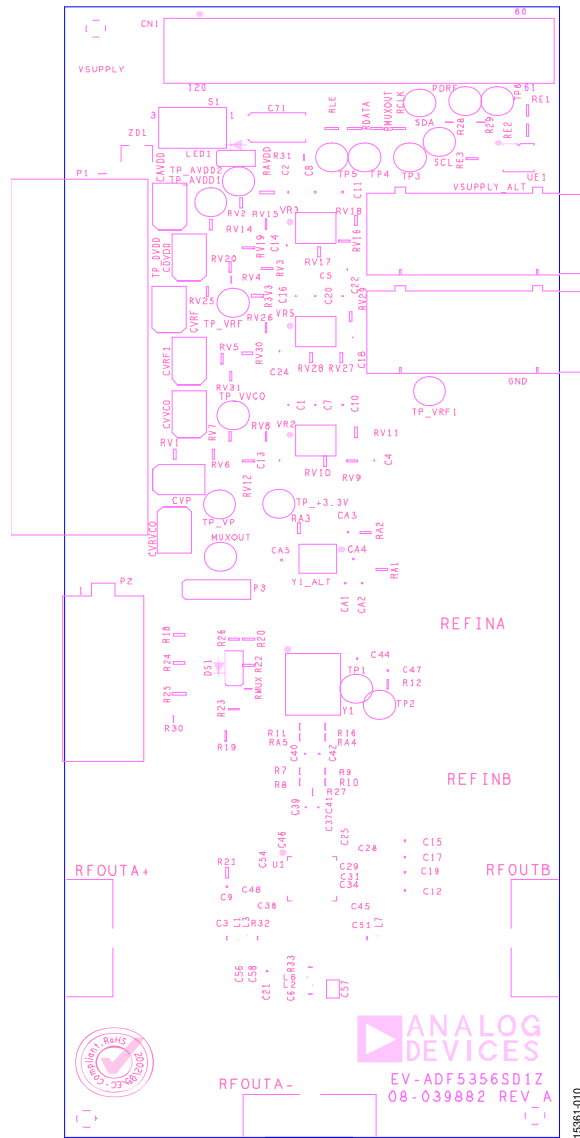


Figure 10. Evaluation Board Silkscreen—Top Side

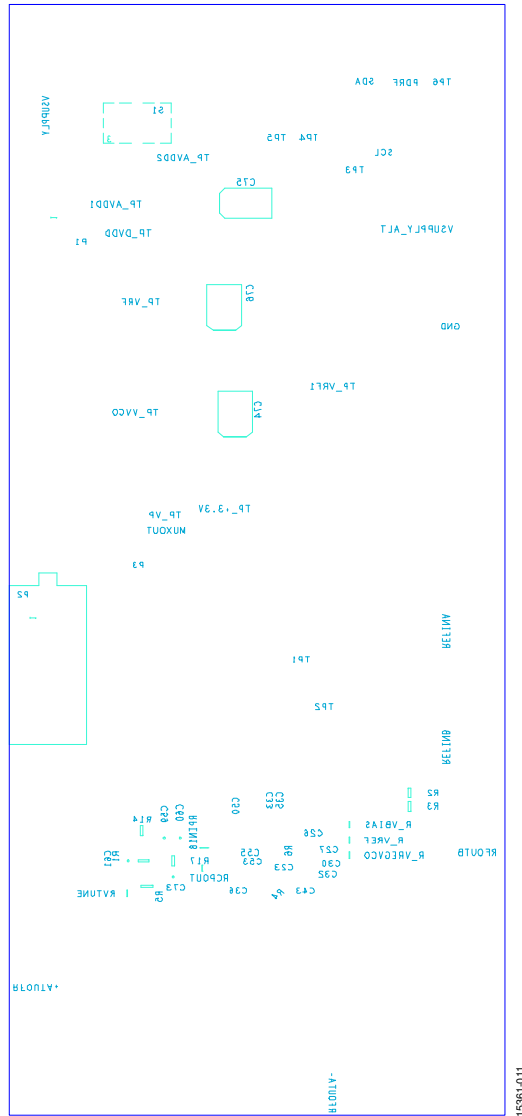


Figure 11. Evaluation Board Silkscreen—Reverse Side

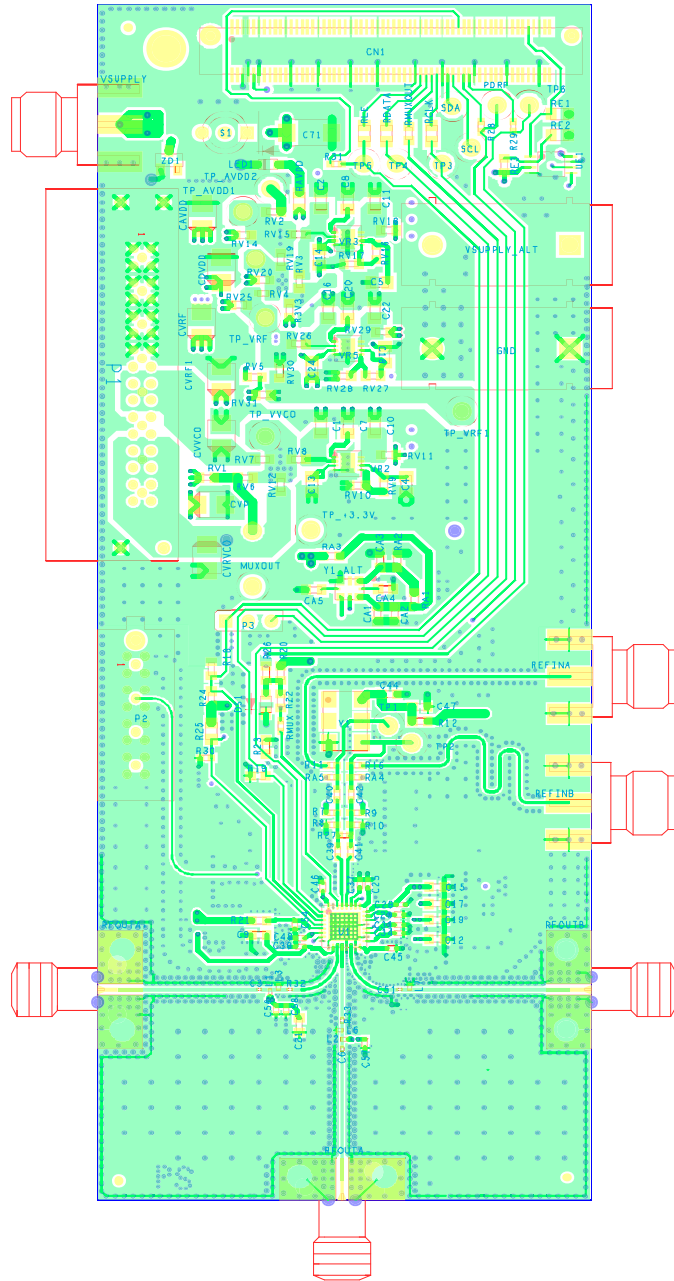


Figure 12. Evaluation Board Layer 1—Primary

15381-012

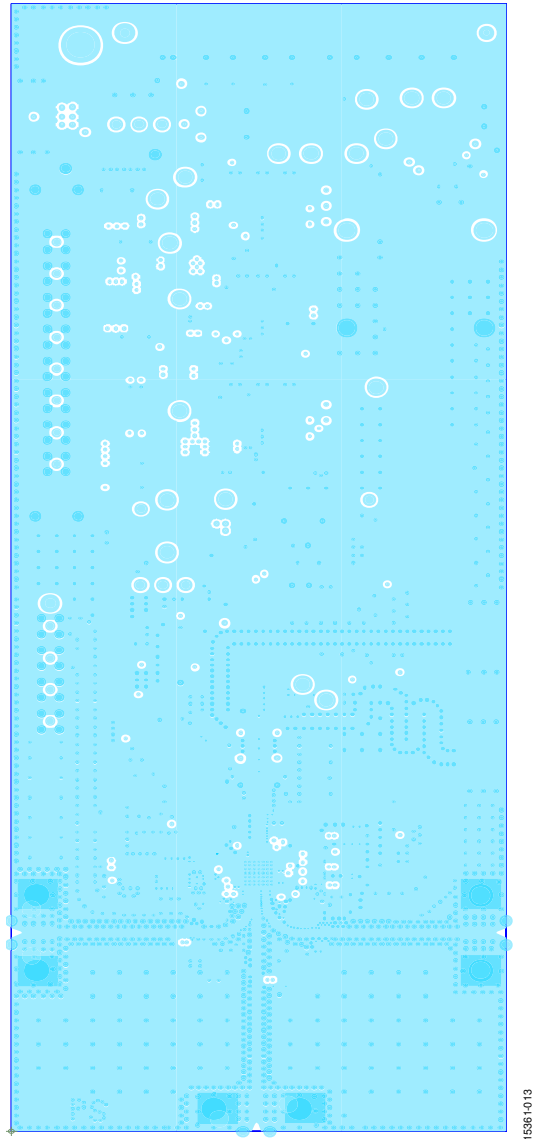


Figure 13. Evaluation Board Layer 2—Ground

1536-1413

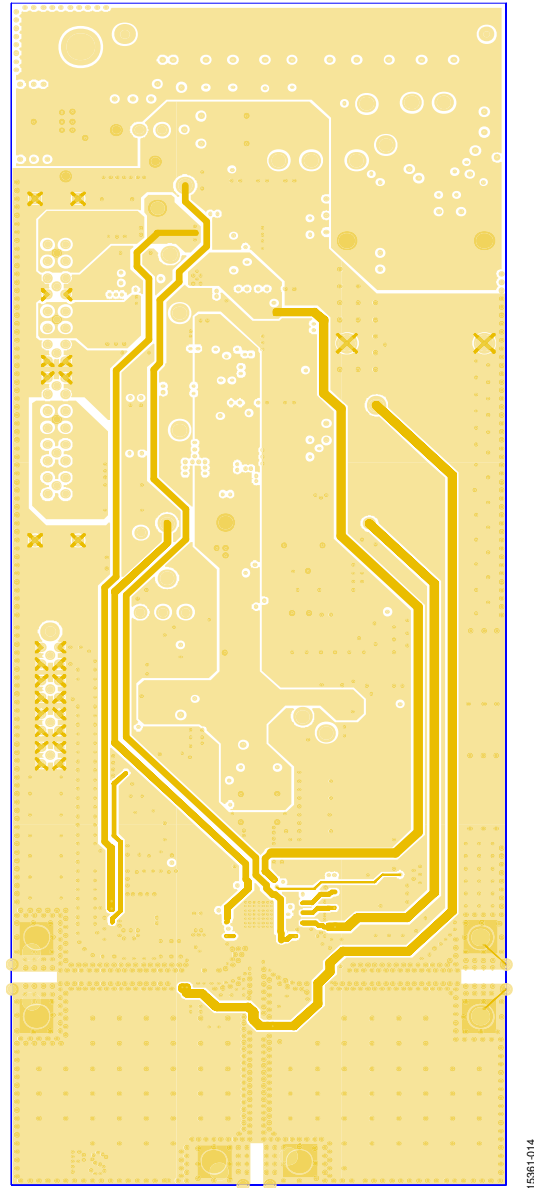


Figure 14. Evaluation Board Layer 3—Power

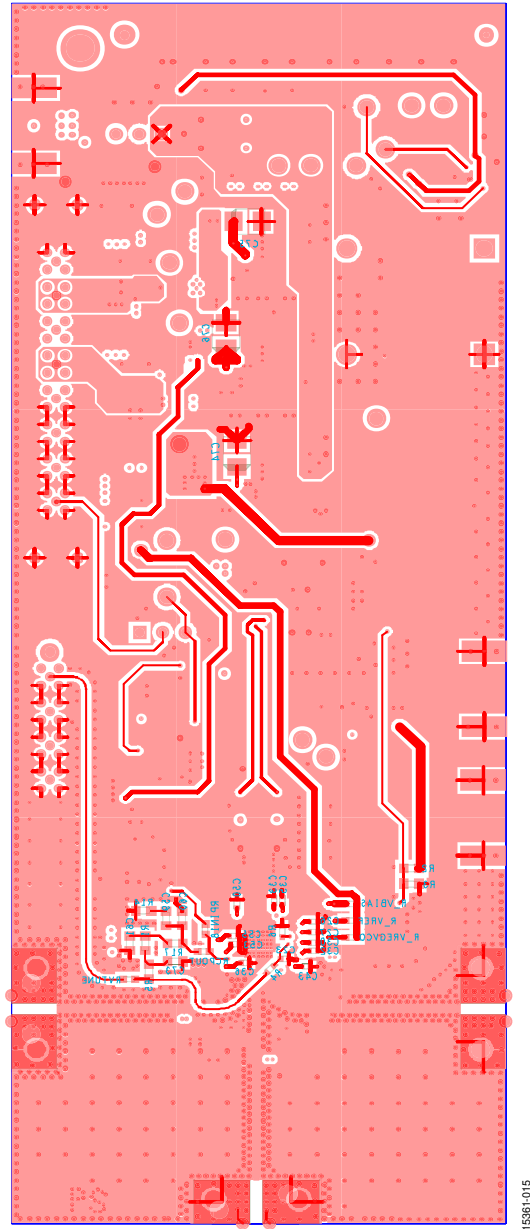


Figure 15. Evaluation Board Layer 4—Secondary

ORDERING INFORMATION

BILL OF MATERIALS

Table 1.

Reference Designator	Description	Value ¹	Manufacturer	Part Number
C1, C2, C7, C8, C10, C11, C16, C20, C22	Ceramic multilayer capacitor, X5R	10 μ F	TDK	C2012X5R1E106K085AC
C9, C12, C21, C47	Ceramic capacitor, X7R	1 μ F	Allied Electronics	0603YC105KAT2A
C4, C5, C13, C14, C18, C24	Ceramic capacitor, X8R	1 μ F	TDK	C2012X8R1C105K125AB
C17	Ceramic capacitor, X5R	4.7 μ F	TDK	C1608X5R1C475K080AC
C19	Ceramic capacitor, X5R	10 μ F	TDK	C1608X5R1A106M080AC
C25, C28, C29, C31, C34, C37, C38, C43, C46, C48, C54	RF/microwave capacitor, COG	10 pF	Allied Electronics	04025U100GAT2A
C27, C30, C32, C36, C39 to C42	Ceramic capacitor, COG, 0402	1000 pF	Murata	GRM1555C1H102JA01
C3, C6, C51	Ceramic chip capacitor, RF	10 pF	Allied Electronics	0201ZK100GBSTR
C26, C33, C35, C45, C50, C53, C55, C58	Ceramic capacitor, X7R	0.1 μ F	KEMET	C0402C104K4RACTU
C44	Ceramic capacitor, NP0	100 pF	Yageo	2238 867 15101
C56, C57	Ceramic capacitor, COG, 0402	120 pF	Murata	GRM1555C1H121JA01
C59	Ceramic capacitor, Y5V	0.47 μ F	Murata	GRM188F51C474ZA01D
C60	Ceramic capacitor	22 nF	Allied Electronics	0603YC223KAT2A
C61	Ceramic capacitor, X7R	10,000 pF	Yageo	CC0603KRX7R9BB103
C71	Solid tantalum electrolytic capacitor	22 μ F	Allied Electronics	TCJC226M025R0100
C73	Chip capacitor, COG, 0603	10 pF	Murata	GRM1885C1H100JA01D
C74 to C76	Tantalum chip capacitor	100 μ F	Allied Electronics	TAJB107K006R
CVP, CVRF, CAVDD, CDVDD, CVRF1, CVVCO, CVRVCO	Tantalum capacitor surface-mount device (SMD)	22 μ F	Allied Electronics	TAJB226K016R
CN1	Connector printed circuit board (PCB), vertical type receptacle SMD		HIROSE	FX8-120S-SV(21)
DS1, LED1	LED, 570 nm, SMD (green)		Avago Technologies	HSMG-C170
GND	Connector PCB, single socket (black)		Del-Tron Precision, Inc.	571-0100
L1, L2	Inductor chip	7.4 nH	Coilcraft	0302CS-7N4XJLU
SCL, SDA, TP1 to TP6, PDRF, TP_VP, MUXOUT, TP_VRF, TP_DVDD, TP_VRF1, TP_VVCO, TP_+3.3V, TP_AVDD1, TP_AVDD2	Connector PCB, test point (yellow)		Components Corporation	TP-104-01-04
P3	Connector PCB, Header 3		Molex	22-28-4033
R1, R4, R5, R12, R21, RV1 to RV3, RV6 to RV9, R3V3, RV11, RV12, RV14 to RV16, RV18 to RV20, RV25 to RV27, RV29 to RV31, RMUXOUT	Film SMD resistor, 0603	0 Ω	Multicomp	MC0603WG00000T5E-TC
R11, R16, RMUX, RCPOUT, R_VREGVCO	Resistor thick film chip	0 Ω	Multicomp	0402WGF0000TCE
R14	Film SMD resistor, 0603	220 Ω	Multicomp	MC 0.063W 0603 1% 220R
R17	Film SMD resistor, 0603	470 Ω	Multicomp	MC 0.063W 0603 1% 470R

Reference Designator	Description	Value ¹	Manufacturer	Part Number
R18, R19, R23	Film SMD resistor, 0603	1.8 k Ω	Multicomp	MC 0.063W 0603 1% 1K8
R2	Precision thick film chip, resistor R0603	10 k Ω	Panasonic	ERJ-3EKF1002V
R22	Film SMD resistor, 0603	68 Ω	Multicomp	MC 0.063W 0603 1% 68R
R25, RLE, RCLK, RDATA	Precision thick film chip resistor, R0805	1.5 k Ω	Panasonic	ERJ-6ENF1501V
R27	High frequency thin film chip resistor	100 Ω	Vishay	FC0402E1000BST1
R32, R33	Chip SMD resistor, 0201	0 Ω	Panasonic	ERJ-1GE0R00C
R6	Standard thick film chip resistor	5.1 k Ω	Vishay	CRCW04025K10FKED
RAVDD	Precision thick film chip resistor, R0805	1 k Ω	Panasonic	ERJ-6ENF1001V
RE1, RE2	Precision thick film chip resistor, R0805	100 k Ω	Panasonic	ERJ-6ENF1003V
RE3	Do not install (TBD0603) ²			Do not install
REFINA, REFINB	PCB, coaxial SMA, end launch connector		Johnson	142-0701-801
RFOUTB, RFOUTA+, RFOUTA-	PCB, SMA right angle jack connector		Rosenberger	32K243-40ML5
S1	Momentary single pole single throw switch		Alcoswitch	TT11AGPC-1
U1	IC, Analog Devices microwave wideband synthesizer with integrated VCO		Analog Devices	ADF5356BCPZ
UE1	IC, 32 kB serial EEPROM		Microchip Technology, Inc.	24LC32A-I/MS
VR2	IC, 800 mA, ultralow noise/high power supply rejection ratio (PSRR), RF linear regulator, 5.0 V output		Analog Devices	ADM7150ACPZ-5.0
VR3, VR5	IC, 800 mA, ultralow noise/high PSRR, RF linear regulator, 3.3 V output		Analog Devices	ADM7150ACPZ-3.3
VSUPPLY	Connector PCB, coaxial SMA, end launch (do not install)			Do not install
VSUPPLY_ALT	PCB, single socket (red) connector		Del-Tron Precision, Inc.	571-0500
Y1	IC, crystal low voltage positive emitter coupled logic (LVPECL)		Vectron International	VCC6-LAB-122M880000
ZD1	Zener diode, 6.8 V, SOT-23		Philips	BZX84-C6V8

¹ A component with no value listed means it is not applicable.

² TBD means no value assigned; component not inserted.

NOTES

**ESD Caution**

ESD (electrostatic discharge) sensitive device. Charged devices and circuit boards can discharge without detection. Although this product features patented or proprietary protection circuitry, damage may occur on devices subjected to high energy ESD. Therefore, proper ESD precautions should be taken to avoid performance degradation or loss of functionality.

Legal Terms and Conditions

By using the evaluation board discussed herein (together with any tools, components documentation or support materials, the "Evaluation Board"), you are agreeing to be bound by the terms and conditions set forth below ("Agreement") unless you have purchased the Evaluation Board, in which case the Analog Devices Standard Terms and Conditions of Sale shall govern. Do not use the Evaluation Board until you have read and agreed to the Agreement. Your use of the Evaluation Board shall signify your acceptance of the Agreement. This Agreement is made by and between you ("Customer") and Analog Devices, Inc. ("ADI"), with its principal place of business at One Technology Way, Norwood, MA 02062, USA. Subject to the terms and conditions of the Agreement, ADI hereby grants to Customer a free, limited, personal, temporary, non-exclusive, non-sublicensable, non-transferable license to use the Evaluation Board FOR EVALUATION PURPOSES ONLY. Customer understands and agrees that the Evaluation Board is provided for the sole and exclusive purpose referenced above, and agrees not to use the Evaluation Board for any other purpose. Furthermore, the license granted is expressly made subject to the following additional limitations: Customer shall not (i) rent, lease, display, sell, transfer, assign, sublicense, or distribute the Evaluation Board; and (ii) permit any Third Party to access the Evaluation Board. As used herein, the term "Third Party" includes any entity other than ADI, Customer, their employees, affiliates and in-house consultants. The Evaluation Board is NOT sold to Customer; all rights not expressly granted herein, including ownership of the Evaluation Board, are reserved by ADI. CONFIDENTIALITY. This Agreement and the Evaluation Board shall all be considered the confidential and proprietary information of ADI. Customer may not disclose or transfer any portion of the Evaluation Board to any other party for any reason. Upon discontinuation of use of the Evaluation Board or termination of this Agreement, Customer agrees to promptly return the Evaluation Board to ADI. ADDITIONAL RESTRICTIONS. Customer may not disassemble, decompile or reverse engineer chips on the Evaluation Board. Customer shall inform ADI of any occurred damages or any modifications or alterations it makes to the Evaluation Board, including but not limited to soldering or any other activity that affects the material content of the Evaluation Board. Modifications to the Evaluation Board must comply with applicable law, including but not limited to the RoHS Directive. TERMINATION. ADI may terminate this Agreement at any time upon giving written notice to Customer. Customer agrees to return to ADI the Evaluation Board at that time. LIMITATION OF LIABILITY. THE EVALUATION BOARD PROVIDED HEREUNDER IS PROVIDED "AS IS" AND ADI MAKES NO WARRANTIES OR REPRESENTATIONS OF ANY KIND WITH RESPECT TO IT. ADI SPECIFICALLY DISCLAIMS ANY REPRESENTATIONS, ENDORSEMENTS, GUARANTEES, OR WARRANTIES, EXPRESS OR IMPLIED, RELATED TO THE EVALUATION BOARD INCLUDING, BUT NOT LIMITED TO, THE IMPLIED WARRANTY OF MERCHANTABILITY, TITLE, FITNESS FOR A PARTICULAR PURPOSE OR NON-INFRINGEMENT OF INTELLECTUAL PROPERTY RIGHTS. IN NO EVENT WILL ADI AND ITS LICENSORS BE LIABLE FOR ANY INCIDENTAL, SPECIAL, INDIRECT, OR CONSEQUENTIAL DAMAGES RESULTING FROM CUSTOMER'S POSSESSION OR USE OF THE EVALUATION BOARD, INCLUDING BUT NOT LIMITED TO LOST PROFITS, DELAY COSTS, LABOR COSTS OR LOSS OF GOODWILL. ADI'S TOTAL LIABILITY FROM ANY AND ALL CAUSES SHALL BE LIMITED TO THE AMOUNT OF ONE HUNDRED US DOLLARS (\$100.00). EXPORT. Customer agrees that it will not directly or indirectly export the Evaluation Board to another country, and that it will comply with all applicable United States federal laws and regulations relating to exports. GOVERNING LAW. This Agreement shall be governed by and construed in accordance with the substantive laws of the Commonwealth of Massachusetts (excluding conflict of law rules). Any legal action regarding this Agreement will be heard in the state or federal courts having jurisdiction in Suffolk County, Massachusetts, and Customer hereby submits to the personal jurisdiction and venue of such courts. The United Nations Convention on Contracts for the International Sale of Goods shall not apply to this Agreement and is expressly disclaimed.

©2017 Analog Devices, Inc. All rights reserved. Trademarks and registered trademarks are the property of their respective owners.
UG15361-0-8/17(0)



www.analog.com