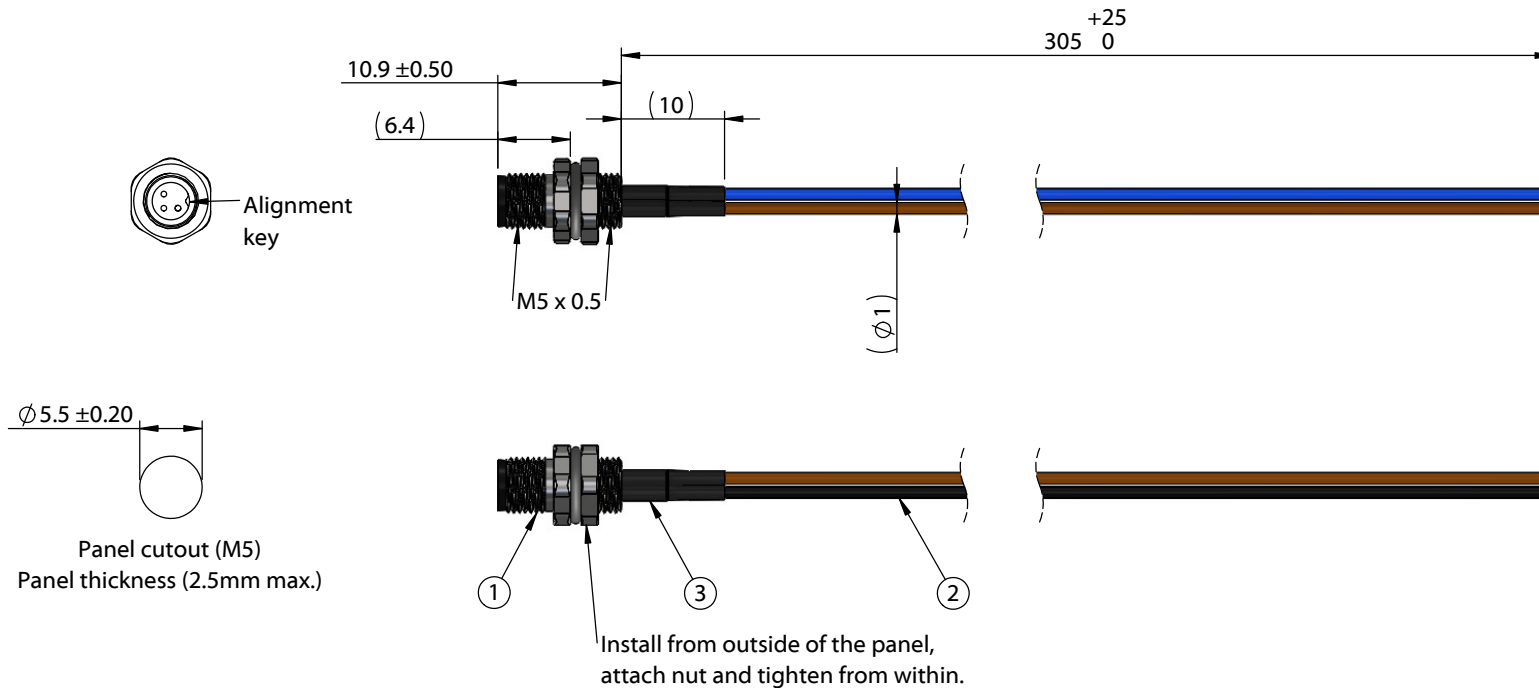


ITEM NO.	PART NUMBER	DESCRIPTION	QTY.	COMPONENT NOTES
1	54-00093	Connector, 3 pin M5 plug, 5xL13mm, gold plated, panel mount, solder cup, IP67	1	nut and o-ring included
2	Wire	Wire, hook-up, TS, 26 AWG, UL 11028, 600V, 105C, 1 mm, mPPE	3	color: brown, blue, black
3	Heat shrink	Heat shrink, UL, black	3	covers solder joints

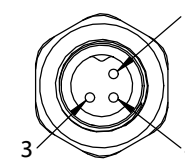


**Notes:**

Cable rated for 60 V, 1 A  
Temperature: -40 ~ 85 °C

IP67 waterproof rating when mated with corresponding (IP67) connector and installed properly in panel

Cables individually packaged in PE bag  
Functionally equivalent components may be substituted



Front view  
Not to scale

Wiring Diagram	
54-00093	wire color (P/N)
1	brown (30-01781)
3	blue (30-01776)
4	black (30-01773)

Revision:	Date:	Description:	Prepared:	Notes:	<b>TENSILITY</b> tel 1.541.323.3228 800 877.670.7118 fax 1.541.323.4202 web tensility.com		
A	11/14/2022	Initial release	<b>PB</b> <small>Digitally signed by PB Date: 2022.11.14 08:36:47 -08'00'</small>	RoHS compliant			
			<b>MP</b> <small>Digitally signed by MP Date: 2022.11.28 15:45:07 -08'00'</small>	Function test: no open, no short circuit, no intermittent	Size: A	Part number: 10-05273	Sheet 1 of 1
			Dimensions are in millimeters. Tolerances: X: ± 0.5 mm X.X: ± 0.3 mm X.XX: ± 0.05 mm	Description: Cable, 305 mm, M5 3C plug panel mount 54-00093 to blunt cut, 26 AWG, UL 11028 hook-up wire	Scale: 1.5:1		

5

4

3

2

1