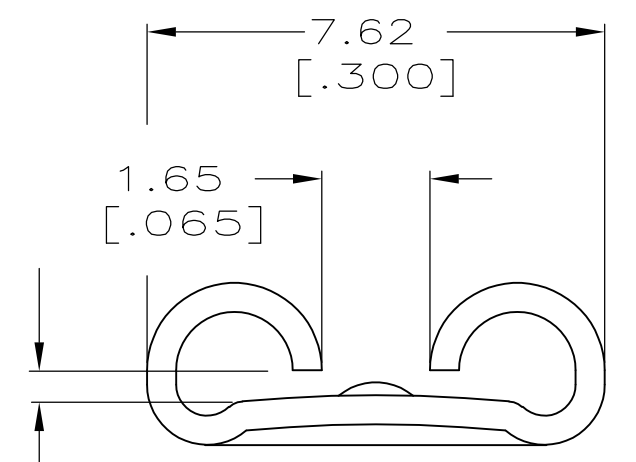
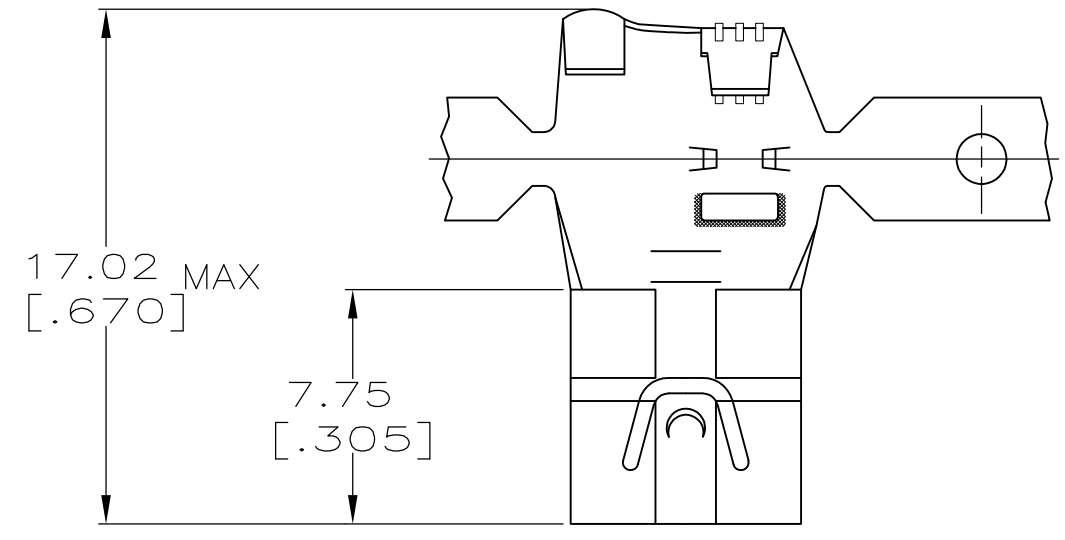


THIS DRAWING IS UNPUBLISHED. RELEASED FOR PUBLICATION
 © COPYRIGHT - By - ALL RIGHTS RESERVED.

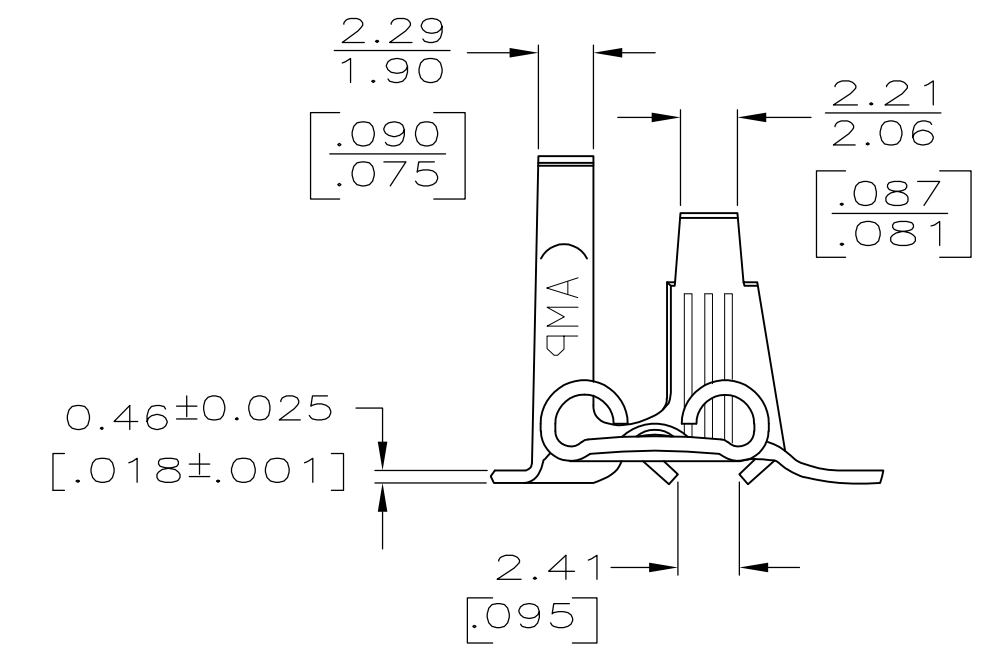
LOC	DIST	REVISIONS					
AF	50	P	LTR	DESCRIPTION	DATE	DWN	APVD
		E		REVISED PER ECR-12-013518	23NOV2012	KH	PD



FITS 6.35 [.250] SERIES FASTON TAB

VIEW A-A
SCALE 8:1

1 CONTINUOUS STRIP ON REELS.



TIN	2.79-5.33	0.8mm ² - 3.0mm ²	0.81	63555-2
	[.110-.210]	18-12 AWG	[.032]	63555-1
FINISH	INSULATION RANGE	WIRE SIZE	MATING TAB THK ±0.025 [0.001]	PART NO

THIS DRAWING IS A CONTROLLED DOCUMENT.		DWN P FORTNEY 11/9/89	STE TE Connectivity			
DIMENSIONS: mm [INCHES]		CHK JR RUTH 11/9/89				
TOLERANCES UNLESS OTHERWISE SPECIFIED:		APVD C MYERS 11/9/89	RECEPTACLE, FASTON TM FLAG, 6.35 [.250] SERIES			
0 PLC ± -		PRODUCT SPEC R KUZO 11/9/89				
1 PLC ± -		APPLICATION SPEC	SIZE	CAGE CODE	DRAWING NO	RESTRICTED TO
2 PLC ± -			A3 00779 C-63555			
3 PLC ± 0.25 [.010]			CUSTOMER DRAWING			SCALE 4:1
4 PLC ± -			SHEET 1 OF 1			REV E
ANGLES ± -						
FINISH SEE TABLE		WEIGHT -				
MATERIAL BRASS						