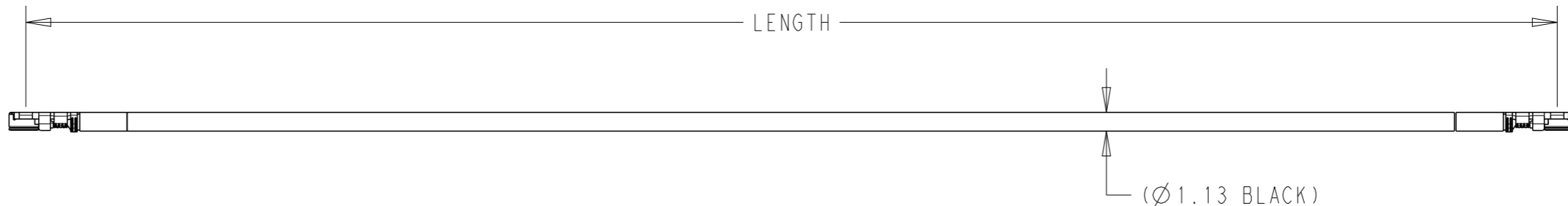
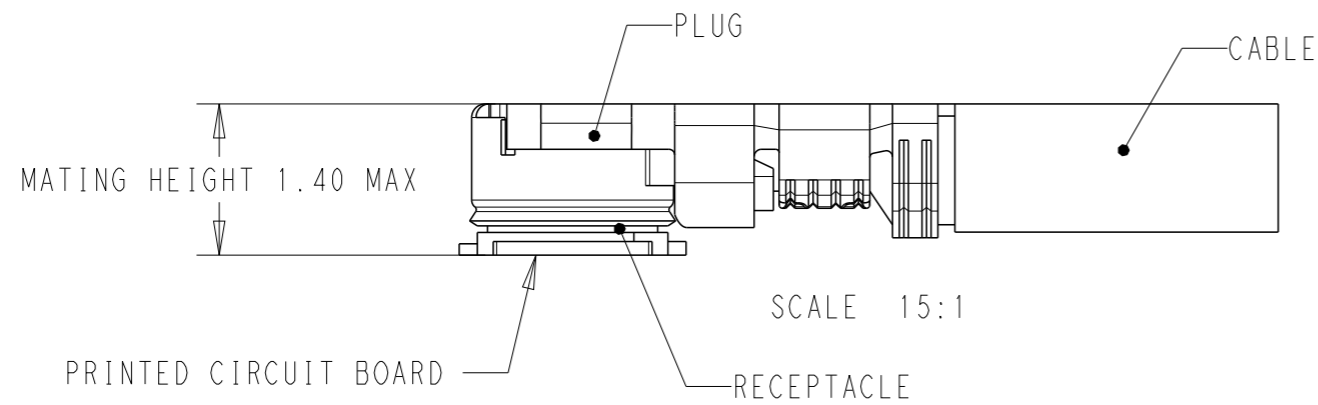


P	LTR	DESCRIPTION	DATE	DWN	APVD
	A1	ECR-22-132690	16MAR2022	JZ	WKH



- NOTES:
- MATERIAL AND PROCESSING MUST MEET REQUIREMENTS OF TEC-138-702
 - UMCC GEN4 MATING HEIGHT AS SHOW, NO MORE THAN 1.40MM
 - PRODUCT RATING:
 TEMPERATURE: -45°C TO +85°C
 VOLTAGE: 30V (RMS)
 CHARACTERISTIC IMPEDANCE: 50 OHMS Normal
 FREQUENCY RANGE: DC TO 9GHz
 BEND RADIUS: 5MM MIN
 - CABLE ASSEMBLY TO BE 100% OPEN & SHORT TESTED
 - UMCC GEN4 CAN MATE WITH I-PEX MHF4L AND HIROSE W.FL SERIES

1-2016698-6	200±3
1-2016698-5	460±3
1-2016698-4	250±3
1-2016698-3	150±3
1-2016698-2	100±3
1-2016698-1	55±3
1-2016698-0	45±3
2016698-9	1020±5
2016698-8	920±5
2016698-7	720±5
2016698-6	620±3
2016698-5	520±3
2016698-4	420±3
2016698-3	320±3
2016698-2	220±3
2016698-1	120±3
PART NUMBER	LENGTH

THIS DRAWING IS A CONTROLLED DOCUMENT.		DWN Julia ZHU 06MAY2021		
		CHK Wenke He 12MAY2021		
DIMENSIONS: mm	TOLERANCES UNLESS OTHERWISE SPECIFIED:	APVD -	NAME RF CA, UMCC GEN4-GEN4, 1.13MM CABLE	
	0 PLC ±-	PRODUCT SPEC -	-	
	1 PLC ±-	APPLICATION SPEC -	-	
MATERIAL -	FINISH -	WEIGHT -	SIZE A3	CAGE CODE 00779
			DRAWING NO C-2016698	RESTRICTED TO -
CUSTOMER DRAWING			SCALE 1:1	SHEET 1 OF 1
			REV A1	