

D-Sub Metalized cover, Side cable entry & Plastic Grommets

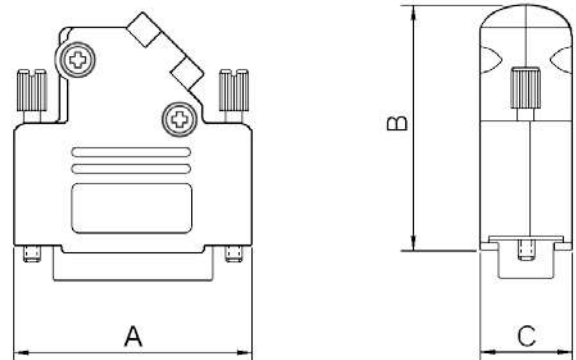
TECHNICAL SPECIFICATIONS

Material: UL 94 V-0 Plastic Material
Plating: Nickel over Copper
Operating Temperature: -55°C to +110°C
Cable Entry: Side
Thumbscrews: UNC 4-40 (Standard)
 M2,5 or M3 on request
Cable O.D: Up to 11,7mm

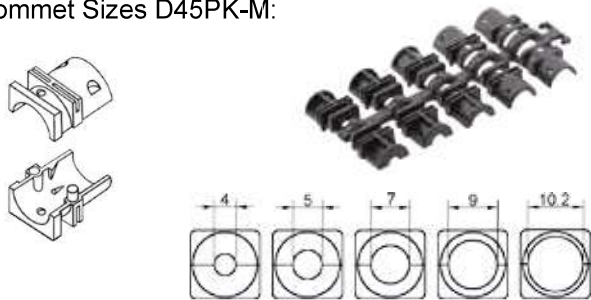


Features:

- Available in sizes 9-15-25-37
- Suitable for any common Sub-D Connector
- Strain relief inserts ensure a secure termination
- Re-openable
- Company logo available upon request
- Recyclable
- Metalized Grommet Set on request



Grommet Sizes D45PK-M:



Size D45PK-M	Dim A	Dim B	Dim C
9-way	31,0	36,3	15,0
15-way	39,5	40,3	15,0
25-way	53,2	40,3	15,0
37-way	69,7	40,3	15,0

Ordering information:

Size:	P/N - Kitted:	Product Code:
9-way	6560-0146-11	D45PK-M-09-K
15-way	6560-0146-12	D45PK-M-15-K
25-way	6560-0146-13	D45PK-M-25-K
37-way	6560-0146-14	D45PK-M-37-K

Size:	P/N - BULK:	Product Code:
9-way	6561-0146-11	D45PK-M-09
15-way	6561-0146-12	D45PK-M-15
25-way	6561-0146-13	D45PK-M-25
37-way	6561-0146-14	D45PK-M-37

