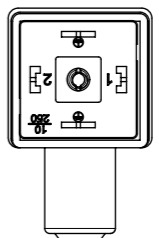
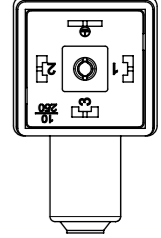
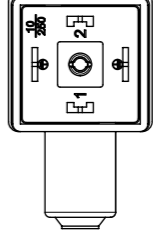
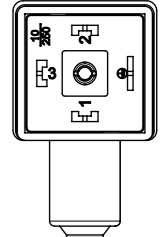
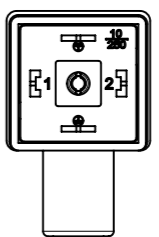
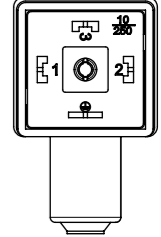
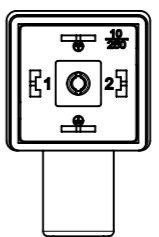
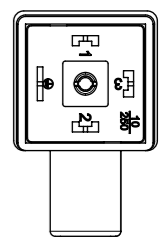
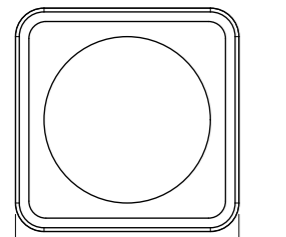
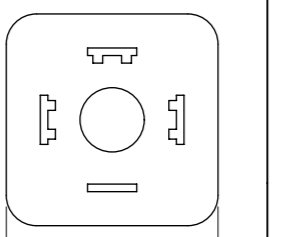
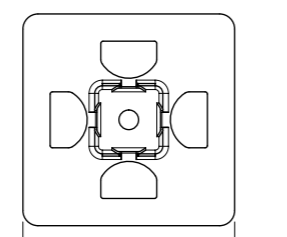
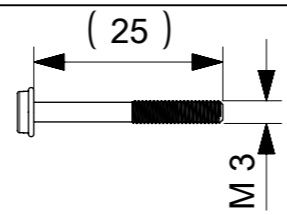
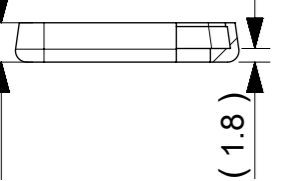

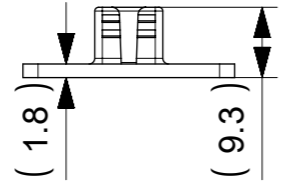
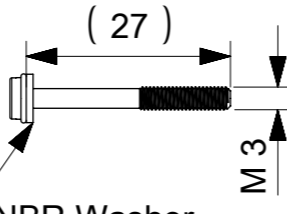

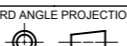


INSERT ORIENTATION	
Housing 2 Poles + 2 Earths	Housing 3 Poles + 1 Earth
Earth H6/H12 - Not Used E451XXXXXX1XXXX 	Earth H12 - Not Used E451XXXXXX2XXXX PIN 3 Not Used 
Earth H3/H9 - Not Used E451XXXXXX4XXXX 	Earth H3 - Not Used E451XXXXXX3XXXX PIN 3 Not Used 
Earth H6/H12 - Not Used E451XXXXXX1XC3X E451XXXXXX1XC7X E451XXXXXX1XR0X E451XXXXXX1XR2X 	Earth H6 - Not Used E451XXXXXX6XXXX PIN 3 Not Used 
Insert 180° 	Earth H9 - Not Used E451XXXXXX9XXXX PIN 3 Not Used 

Type of Screws and Gaskets

Profiled Gasket	Flat Gasket	Integrated Gasket	Screw M3x25
			
(□ 29.5)	(□ 28)	(□ 28)	M 3
			
(5.2) (1.8)	(1.8)	(1.8) (9.3)	(27) M 3
			NBR Washer

Over	Up to and Including	Tolerance
0	1000	±20
1000	3000	±30
3000	5000	±40
5000	10000	±50
10000	15000	±100
15000	20000	±150
20000		±L/100

SYMBOLS ▽ = 0 ▽ = 0 ▽ = 0 ▽ = 0 ▽ = 0 ▽ = 0 ▽ = 0 ▽ = 0 ▽ = 0 ▽ = 0 ▽ = 0 ▽ = 0	THIS DRAWING CONTAINS INFORMATION THAT IS PROPRIETARY TO MOLEX ELECTRONIC TECHNOLOGIES, LLC AND SHOULD NOT BE USED WITHOUT WRITTEN PERMISSION DIMENSION UNITS: mm SCALE: 1:1 GENERAL TOLERANCES (UNLESS SPECIFIED): ANGULAR TOL ± 1.0° 4 PLACES ± 3 PLACES ± 2 PLACES ± 0.05 1 PLACE ± 0.3 0 PLACES ± 0.5 DRAFT WHERE APPLICABLE MUST REMAIN WITHIN DIMENSIONS	CURRENT REV DESC: MIGRATED TO ECTR EC NO: 619803 DRWN: SSM 2019/06/04 CHK'D: RSILLER 2019/06/28 APPR: RSILLER 2019/06/28 INITIAL REVISION: DRWN: SSM 2019/06/04 APPR: RSILLER 2019/06/28	 STANDARD E451 DIN FORM A EN 175301-803 PRODUCT CUSTOMER DRAWING DOCUMENT NUMBER: 1210504000 DOC TYPE: PSD DOC PART: 000 REVISION: A MATERIAL NUMBER: SEE 1210504000_PDP CUSTOMER: GENERAL MARKET SHEET NUMBER: 1 OF 3
	THIRD ANGLE PROJECTION 	DRAWING: A3-SIZE SERIES: 121050	MATERIAL NUMBER: SEE 1210504000_PDP CUSTOMER: GENERAL MARKET SHEET NUMBER: 1 OF 3

KLUCZ / PN KEY ENGINEERING PN

E 4 5 1 X X X X X X X X X X

E - Packing without bag
W - Single Packing

Number of wires:
1 - 2 Wires

Cable type:
See Table

Head Colour:
G - Grey
N - Black
A - CSA-UL Black
B - CSA-UL Grey

Cable Length in[cm]
050 = 50cm
300 = 300cm
10K = 1000cm

Wiring Configuration:
See sheet 3

Voltage and LED Colour

Red LED
1 = 12V
2 = 24V
3 = 48V
4 = 115V
5 = 230V

Green LED
A = 12V
B = 24V
C = 48V
D = 115V
E = 230V

Yellow Led
G = 12V
H = 24V
K = 48V
L = 115V
M = 230V

Earth PIN location (see insert orientation table):
1 = Double Earth on H6 & H12
2 = Earth on H12
3 = Earth on H3
4 = Double Earth on H3 & H9
6 = Earth on H6
9 = Earth on H9

Type of Gasket and Screw (see sheet 1):

- 1 = NBR Profile Gasket + Fixing Screw M3x25mm
- 2 = NBR Flat Gasket + Fixing Screw M3x25mm
- 3 = Silicone Profile Gasket + Fixing Screw M3x25mm
- 4 = Silicone Flat Gasket + Fixing Screw M3x25mm
- P = NBR Integrated Gasket + Fixing Screw with Washer M3x27mm Assembled on Connector
- R = NBR Integrated Gasket + Fixing Screw with Washer M3x27mm NOT Assembled on Connector
- T = NBR Profile Gasket + Fixing Screw with Washer M3x27mm

CABLE LIST

CABLE TYPE	NO. OF WIRES	CROSS SECTION	CABLE O.D.	CABLE JACKET	KOLORY PRZEWODÓW WIRES COLOR	SHIELD
A2	2	AWG 20	5.4mm±0.2	PVC BLACK	BN, BU	-
A3	2	AWG 18	6.2mm±0.25	PVC BLACK	BN, BU	-
B2	2	AWG 20	5.6mm±0.2	PUR BLACK	BN, BU	-
B3	2	AWG 18	6.2mm±0.2	PUR BLACK	BN, BU	-
I2	2	0.5mm ²	5.5mm+0.3	PVC GREY	BN, BU	-
I3	2	0.75mm ²	5.5mm±0.2	PVC GREY	BK1,BK2	-
I4	2	1mm ²	7.1mm±0.2	PVC GREY	BN, BU	-
N2	2	0.5mm ²	5.25mm±0.65	PVC BLACK	BN, BU	-
N3	2	0.75mm ²	6.45mm±0.75	PVC BLACK	BN, BU	-
N4	2	1mm ²	6.45mm±0.75	PVC BLACK	BN, BU	-
P2	2	0.5mm ²	5.5mm±0.2	PUR BLACK	BN, BU	-
P3	2	0.75mm ²	6.5mm±0.2	PUR BLACK	BN, BU	-

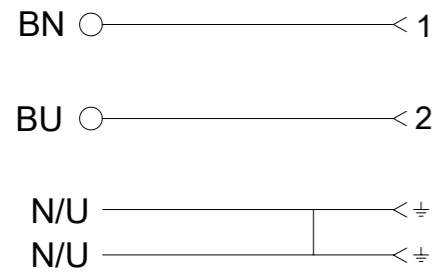
Notes:

- Please see excel sheet 1210504000_PDP for currently configured part numbers.
- Drawing is a replacement for: SD-121050-004

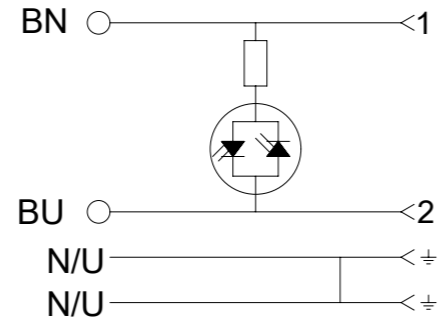
SYMBOLS ▽ = 0 ▽ = 0 ▽ = 0 ▽ = 0 ▽ = 0 ▽ = 0 ▽ = 0 ▽ = 0 ▽ = 0 ▽ = 0 ▽ = 0 ▽ = 0	THIS DRAWING CONTAINS INFORMATION THAT IS PROPRIETARY TO MOLEX ELECTRONIC TECHNOLOGIES, LLC AND SHOULD NOT BE USED WITHOUT WRITTEN PERMISSION DIMENSION UNITS SCALE mm 1:1		CURRENT REV DESC: MIGRATED TO ECTR					
	GENERAL TOLERANCES (UNLESS SPECIFIED) ANGULAR TOL ± 1.0 °		EC NO: 619803 DRWN: SSM 2019/06/04 CHK'D: RSILLER 2019/06/28 APPR: RSILLER 2019/06/28					
	4 PLACES ± 3 PLACES ± 2 PLACES ± 0.05 1 PLACE ± 0.3 0 PLACES ± 0.5		INITIAL REVISION: DRWN: SSM 2019/06/04 APPR: RSILLER 2019/06/28			PRODUCT CUSTOMER DRAWING		
	DRAFT WHERE APPLICABLE MUST REMAIN WITHIN DIMENSIONS		THIRD ANGLE PROJECTION			DRAWING SERIES MATERIAL NUMBER CUSTOMER SHEET NUMBER A3-SIZE 121050 SEE 1210504000_PDP GENERAL MARKET 2 OF 3		

WIRING DIAGRAMS

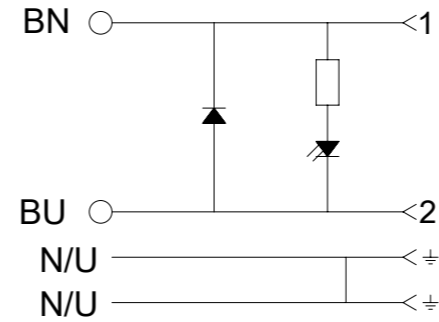
ELECTRICAL DIAGRAM 00
WITHOUT LED



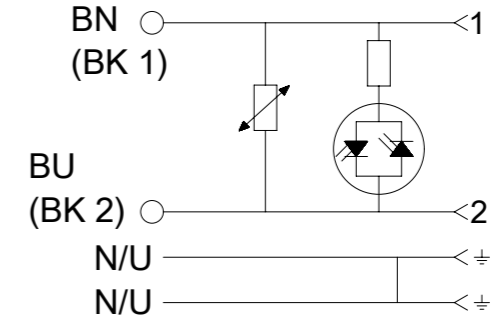
ELECTRICAL DIAGRAM A1



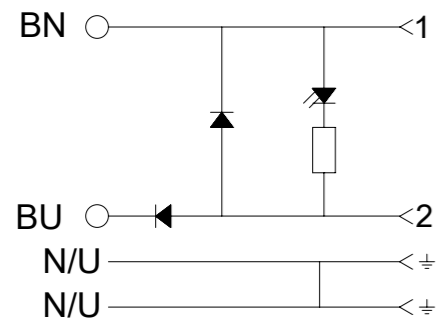
ELECTRICAL DIAGRAM C3



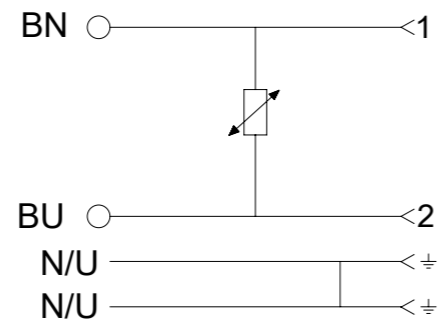
ELECTRICAL DIAGRAM C4



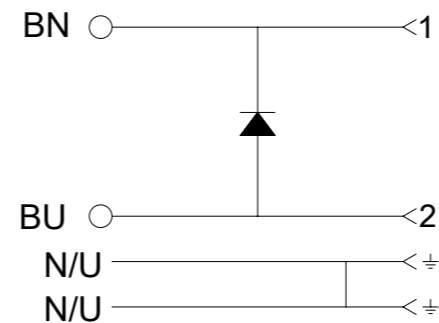
ELECTRICAL DIAGRAM C7



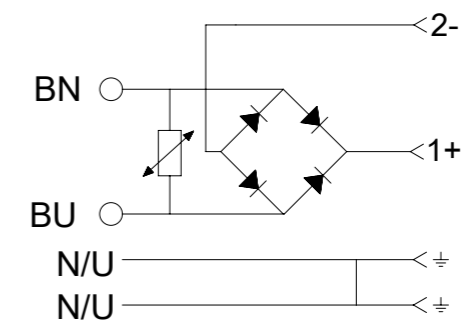
ELECTRICAL DIAGRAM D0



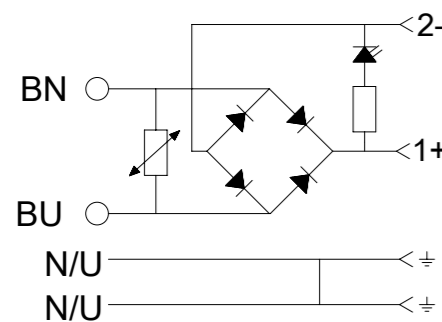
ELECTRICAL DIAGRAM E0



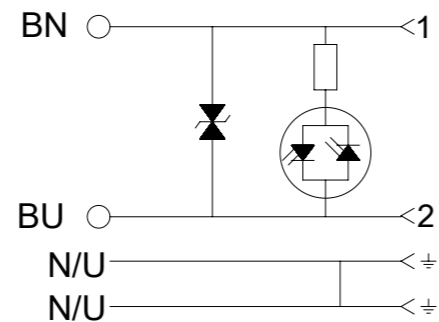
ELECTRICAL DIAGRAM R0



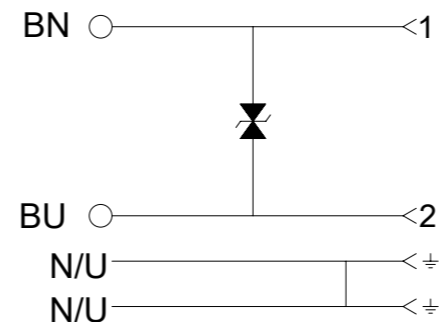
ELECTRICAL DIAGRAM R2



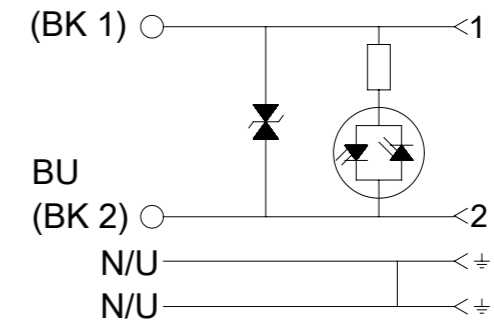
ELECTRICAL DIAGRAM S0



ELECTRICAL DIAGRAM S1



ELECTRICAL DIAGRAM S3



SYMBOLS	THIS DRAWING CONTAINS INFORMATION THAT IS PROPRIETARY TO MOLEX ELECTRONIC TECHNOLOGIES, LLC AND SHOULD NOT BE USED WITHOUT WRITTEN PERMISSION		CURRENT REV DESC: MIGRATED TO ECTR					
	DIMENSION UNITS	SCALE						
▽ = 0	mm	1:1	1210504000	PSD	000	A	STANDARD E451 DIN FORM A EN 175301-803	
▽ = 0	GENERAL TOLERANCES (UNLESS SPECIFIED)		PRODUCT CUSTOMER DRAWING					
▽ = 0	ANGULAR TOL ± 1.0°		INITIAL REVISION:					
▽ = 0	4 PLACES ±		DRWN: SSM 2019/06/04					
▽ = 0	3 PLACES ±		CHK'D: RSILLER 2019/06/28					
▽ = 0	2 PLACES ± 0.05		APPR: RSILLER 2019/06/28					
▽ = 0	1 PLACE ± 0.3		DRWN: SSM 2019/06/04					
▽ = 0	0 PLACES ± 0.5		APPR: RSILLER 2019/06/28					
■ = 0	DRAFT WHERE APPLICABLE MUST REMAIN WITHIN DIMENSIONS		THIRD ANGLE PROJECTION	DRAWING	SERIES	MATERIAL NUMBER	CUSTOMER	SHEET NUMBER
▽ = 0				A3-SIZE	121050	SEE 1210504000_PDP	GENERAL MARKET	3 OF 3