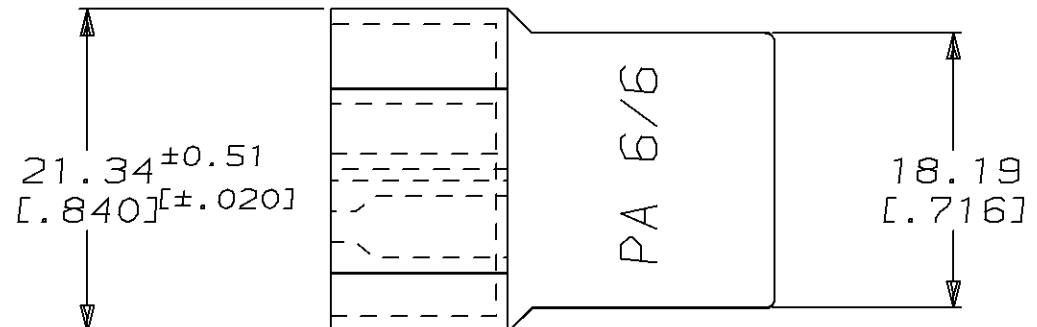
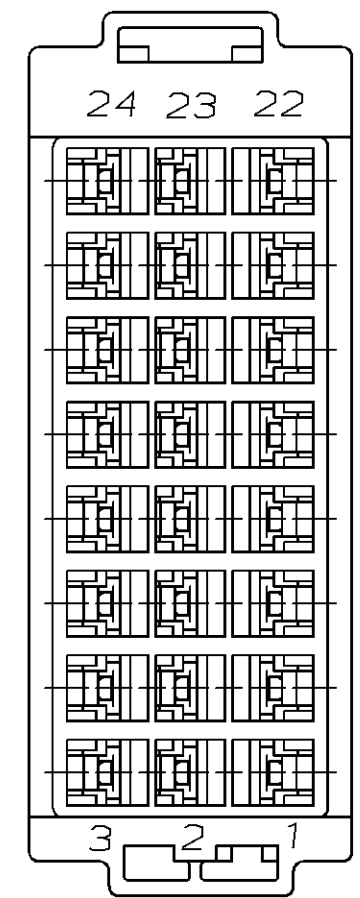
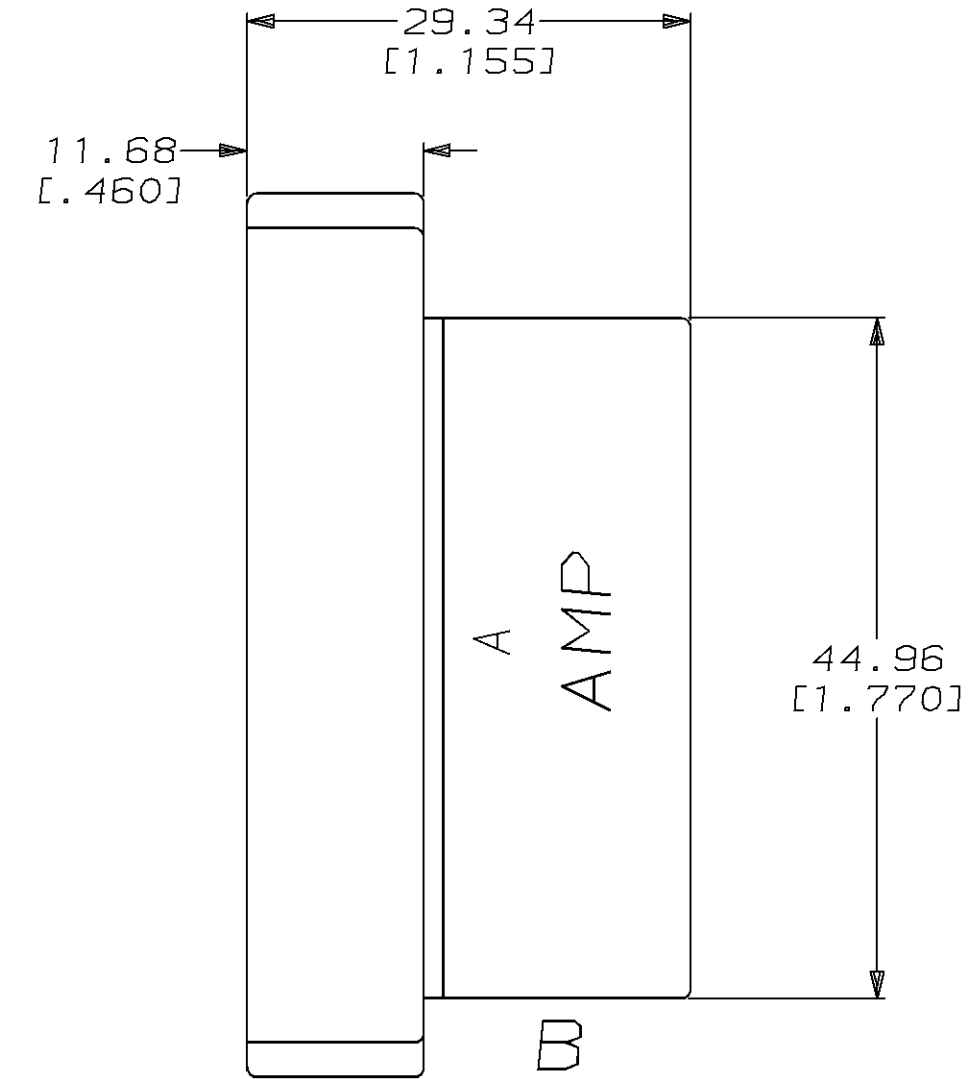
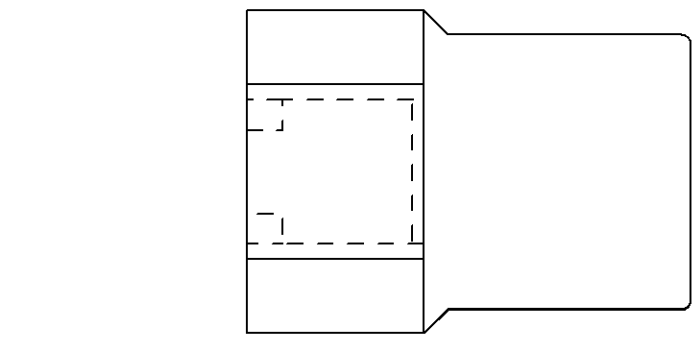
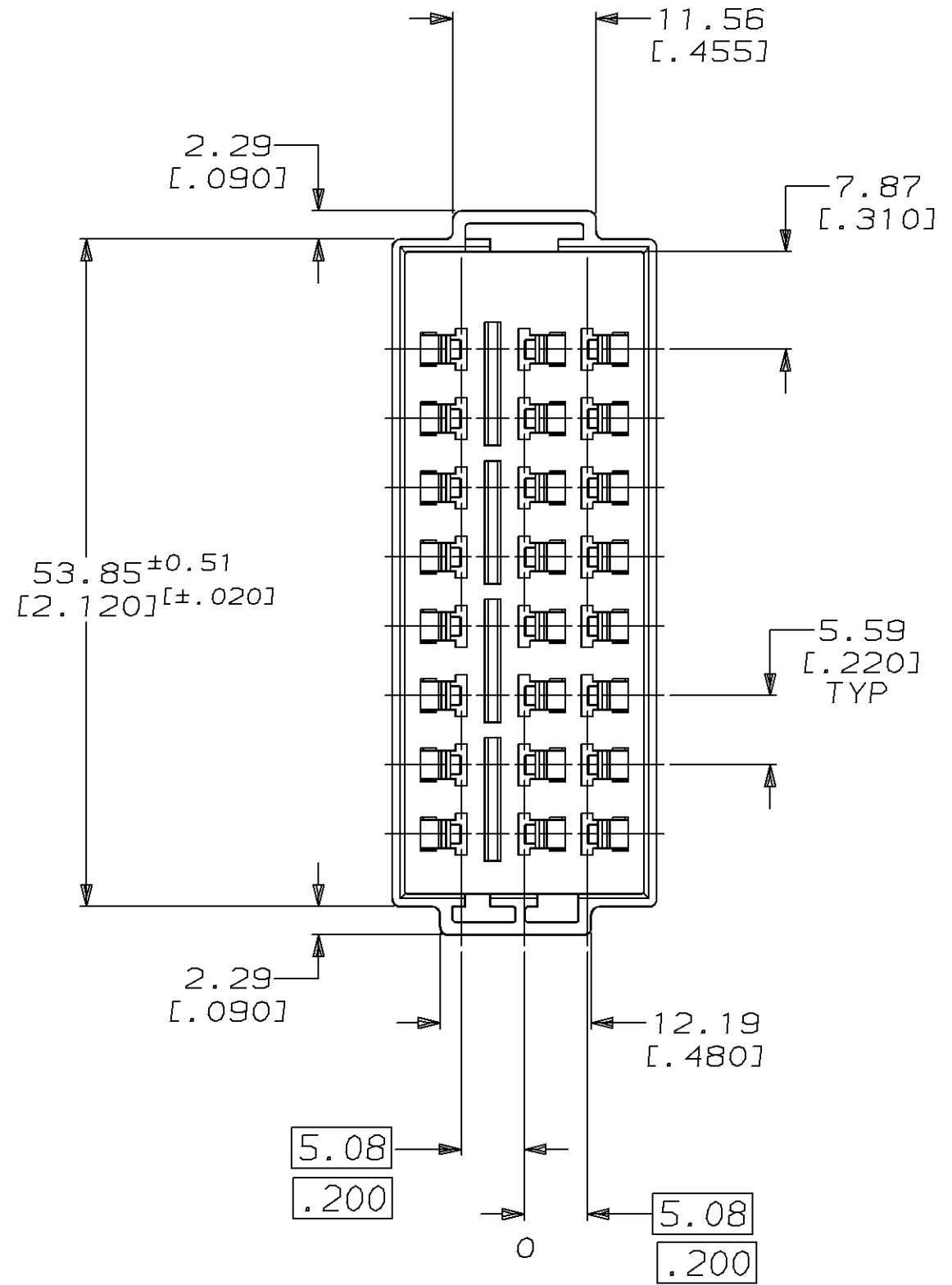


LOC	DIST	P	F	ZONE	LTR	DESCRIPTION	DATE	APPD
AF	50				B	RELEASE PER FASR & 0475-94	9/15/94	PF/JF

- 1 MATES WITH AMP P/N 770197-1.
- 2 ACCEPTS 3.18 [.125] BLADE TERMINAL AMP P/N 63627-1.



521062-1

PART NO

DO NOT SCALE PRINT. UNLESS SPECIFIED DIMENSIONS IN mm [INCHES] TOLERANCES ON : 2 PLC DEC ±0.25 [.010] 3 PLC DEC ± - ANGLES ± -	DR 4/28/94 PHILLIP M FORTNEY	AMP Incorporated Harrisburg, PA 17105-3608
	CHK 4/28/94 JEFF RUTH	
	APPD 4/28/94 DON DECKER	
	APPD 4/28/94 RON KUZO	
MATERIAL 6/6 NYLON	PRODUCT SPEC -	NAME HOUSING, RIGHT HAND, 24 CIRCUIT, CAP
FINISH COLOR-BLACK	APPLICATION SPEC -	SIZE C 00779
	WEIGHT -	DRAWING NO C=521062
		SCALE 2:1
		SHEET 1 OF 1

THIS DRAWING IS A CONTROLLED DOCUMENT FOR AMP INCORPORATED. IT IS SUBJECT TO CHANGE AND THE CONTROLLING ENGINEERING ORGANIZATION SHOULD BE CONTACTED FOR THE LATEST REVISION.