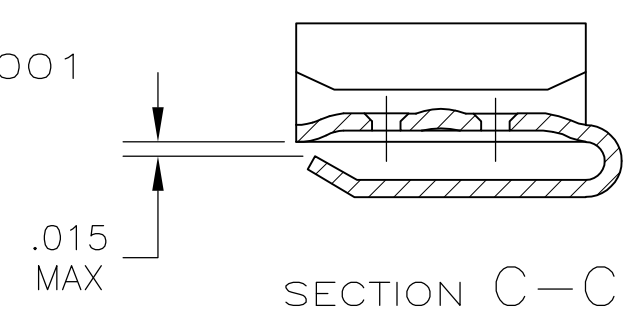
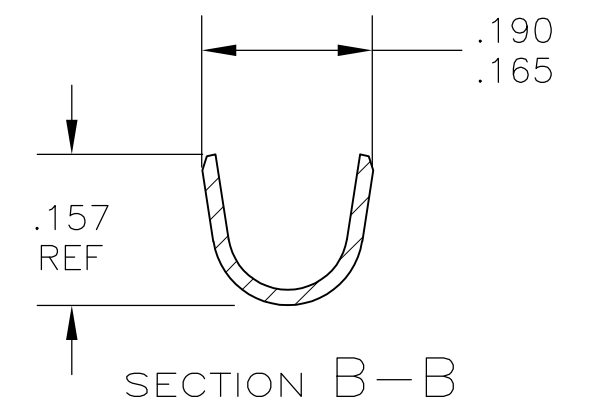
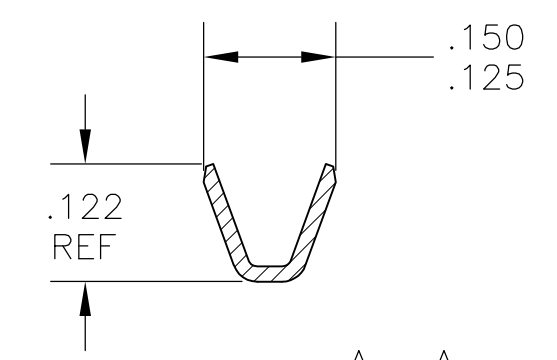
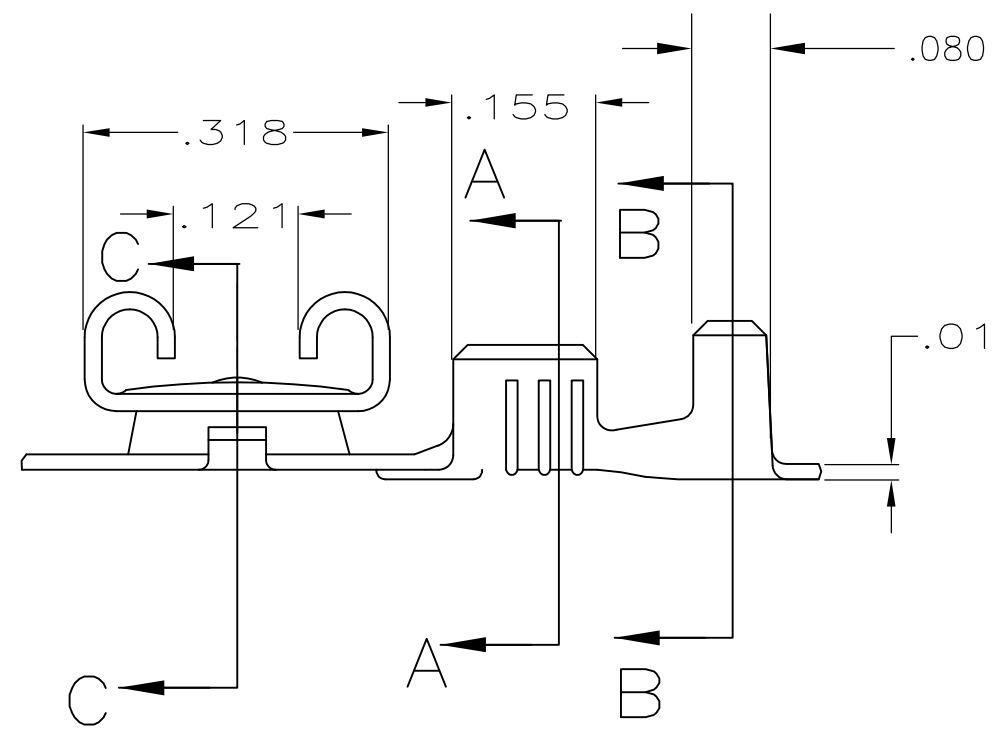
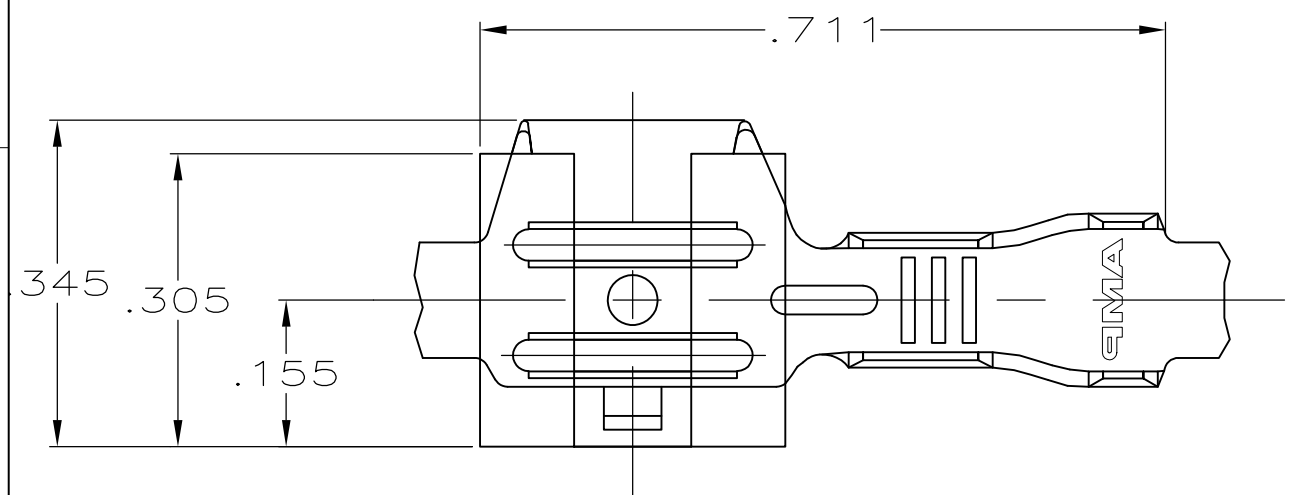


THIS DRAWING IS UNPUBLISHED. RELEASED FOR PUBLICATION
 © COPYRIGHT - By - ALL RIGHTS RESERVED.

LOC	DIST	REVISIONS			
P	LTR	DESCRIPTION	DATE	DWN	APVD
AF	50	D	REVISED PER ECR-12-013518	26NOV2012	KH PD

- CONTINUOUS STRIP ON REELS.
- WIRE SIZE IS FOR #22-#16 AWG
- INSULATION RANGE IS .090-.130 DIA.
- MATING TAB THK IS .032±.001



1217904-1
PART NO.

THIS DRAWING IS A CONTROLLED DOCUMENT.		DWN	JR RUTH	05DEC02	TE Connectivity RECEPTACLE, FASTON, FLAG, REVERSIBLE, .250 SERIES							
DIMENSIONS: INCHES		CHK	D DECKER	05DEC02								
TOLERANCES UNLESS OTHERWISE SPECIFIED:		APVD	D DECKER	05DEC02								
0 PLC ± - 1 PLC ± - 2 PLC ± - 3 PLC ± .010 4 PLC ± - ANGLES ± -		PRODUCT SPEC	NAME									
MATERIAL: BRASS		FINISH	-		SIZE	A3	CAGE CODE	00779	DRAWING NO	C-1217904	RESTRICTED TO	-
CUSTOMER DRAWING		SCALE		5:1	SHEET		1 OF 1		REV		D	