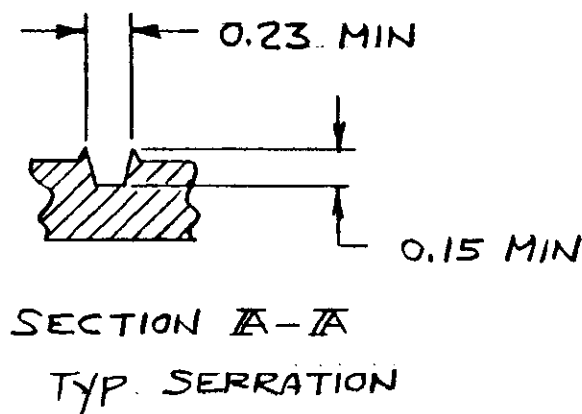
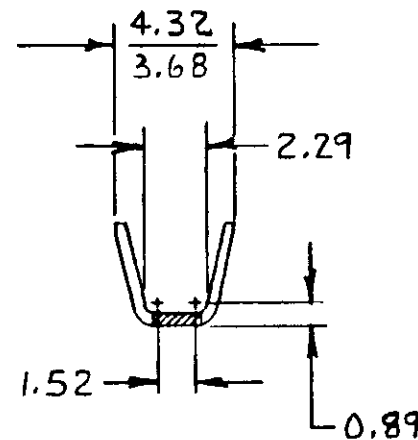
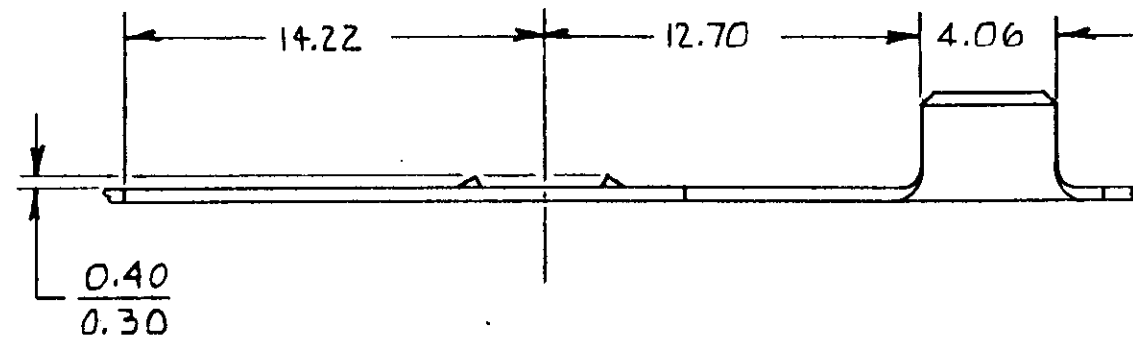
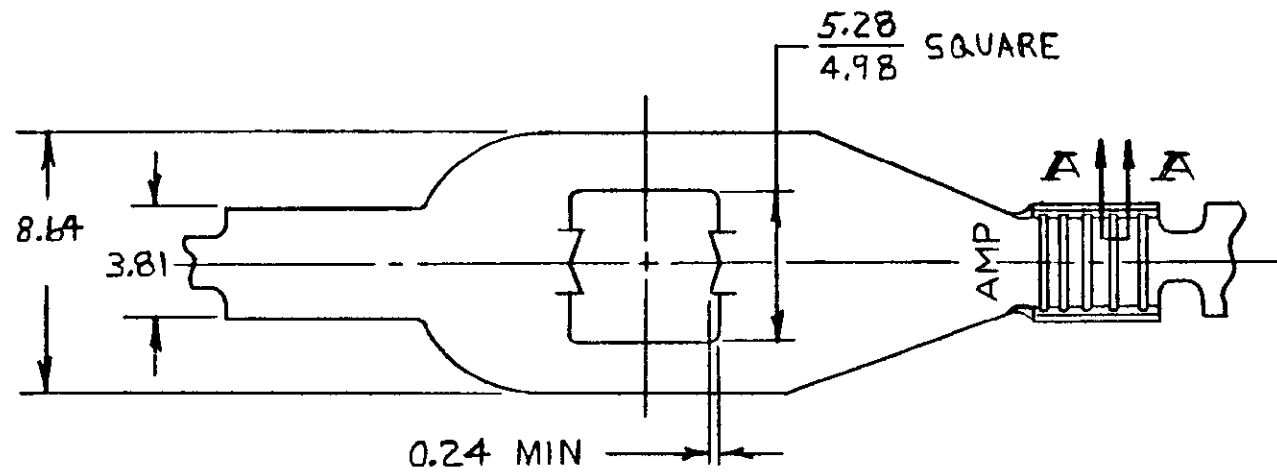


© COPYRIGHT 1981 BY AMP INCORPORATED, HARRISBURG, PA.
 ALL INTERNATIONAL RIGHTS RESERVED. AMP INCORPORATED PRODUCTS
 COVERED BY U. S. AND FOREIGN PATENTS AND/OR PATENTS PENDING.

REVISIONS						
P	F	ZONE	LTR	DESCRIPTION	DATE	APPROVED
✓	✓		0	RELEASE DRAWING PER M-6352	3-16-81	MSF/DH.
✓	✓		A	ADDED SECT. A-A, M-6405	4/23/81	PMF/DH.
✓			A1	RESTORATION	5-23-85	KS/SS
			B	REV PER 0710-0427-95	24/2/85	PMF
			C	REVISE PER ECR-13-013738	15FEB14	GRZ/JL



METRIC

2600-4900 CMA 505079-1
 WIRE RANGE PART NO

UNLESS OTHERWISE SPECIFIED DIMENSIONS ARE IN <u>MM</u> . TOLERANCES ON: DECIMALS ±0.40 ANGLES ±1°	CONTRACT NO	AMP AMP INCORPORATED Harrisburg, Pa.	
	DR <i>m. Feeher 3-16-81</i>	NAME TERMINAL, STUD RETAINING, AMPLIVAR	
	CHK <i>D.S. Heide 3/17/81</i>	SIZE B	CODE IDENT NO 00779
	MATERIAL 0.50 BRASS	APPD <i>[Signature]</i>	DRAWING NO 505079
FINISH _____	APPD _____	SCALE _____	SHEET _____