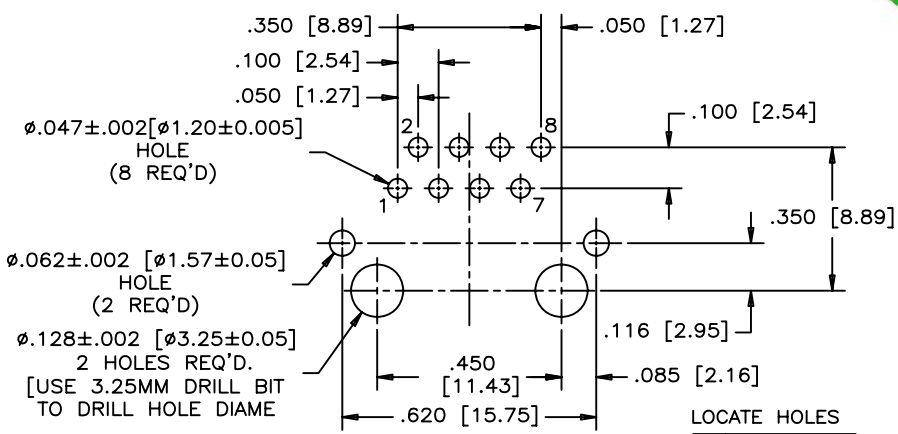
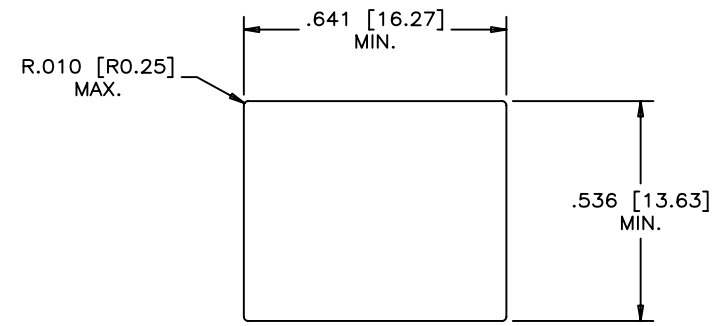
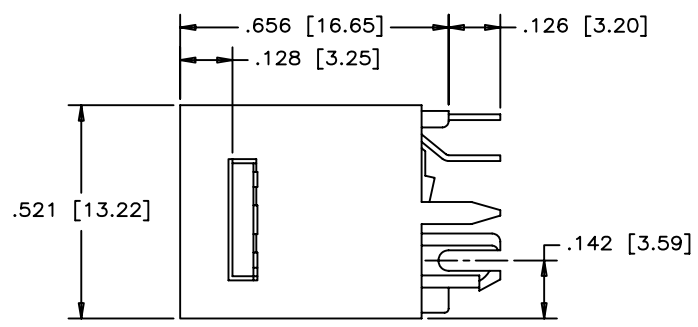
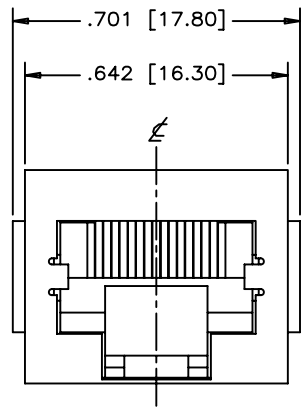


REVISIONS				
SYM	ZONE	ECN, ERN NO.	DATE	APPRD.
B		PROPOSAL	MAY15/06	LCHAN
C		PROPOSAL	JUN19/08	LCHAN



LOCATE HOLES
 $\varnothing \pm 0.005 [0.13]$
 HOLE POSITIONS
 ARE BASIC

RECOMMENDED P.C.B. LAYOUT
 (COMPONENT SIDE OF BOARD)

THIS DOCUMENT CONTAINS PROPRIETARY INFORMATION AND SUCH INFORMATION
 MAY NOT BE DISCLOSED TO OTHERS FOR ANY PURPOSE OR USED FOR MANUFACTURING
 PURPOSES WITHOUT WRITTEN PERMISSION FROM AMPHENOL CANADA CORP.

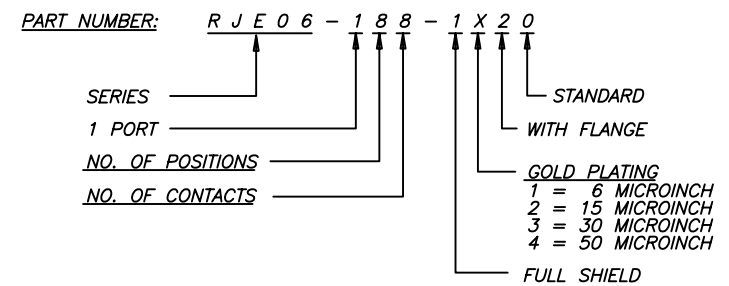
MATERIALS:

HOUSING: ENGINEERING THERMOPLASTIC
 FLAMMABILITY RATING UL94V-0
 COLOR: BLACK

CONTACTS: PHOSPHOR BRONZE

PLATING: REFER TO PART NUMBER FOR GOLD THICKNESS
 ON MATING SURFACE
 50 MICROINCH [1.27 MICRONS] MIN. NICKEL OVERALL
 100 MICROINCH [2.54 MICRONS] MIN. MATTE-TIN
 OR GOLD FLASH OVER TAIL

SHIELD: COPPER ALLOY WITH NICKEL PLATED



DRAWN PAULW	DATE MAY15/06
DESIGNED	
CHECKED CHIGOW	DATE MAY15/06
I. E. APPRD.	
Q. A. APPRD.	
DWG. APPRD.	
ENG. REL. NO.	
REF. EAR # A060504	
DIMENSIONS ARE IN INCHES [mm]	CODE ID. NO. 03554

Amphenol Canada Corp.	
TITLE RJE06 SERIES, 8 POSITION 8 CONTACT, VERTICAL MOUNT, WITH SHIELD, AND FLANGE - RoHS COMPLIANT	
DWG. DRAWING NO.	REV. C
P-RJE06-188-1X20	
SCALE	SHEET 1 OF 1