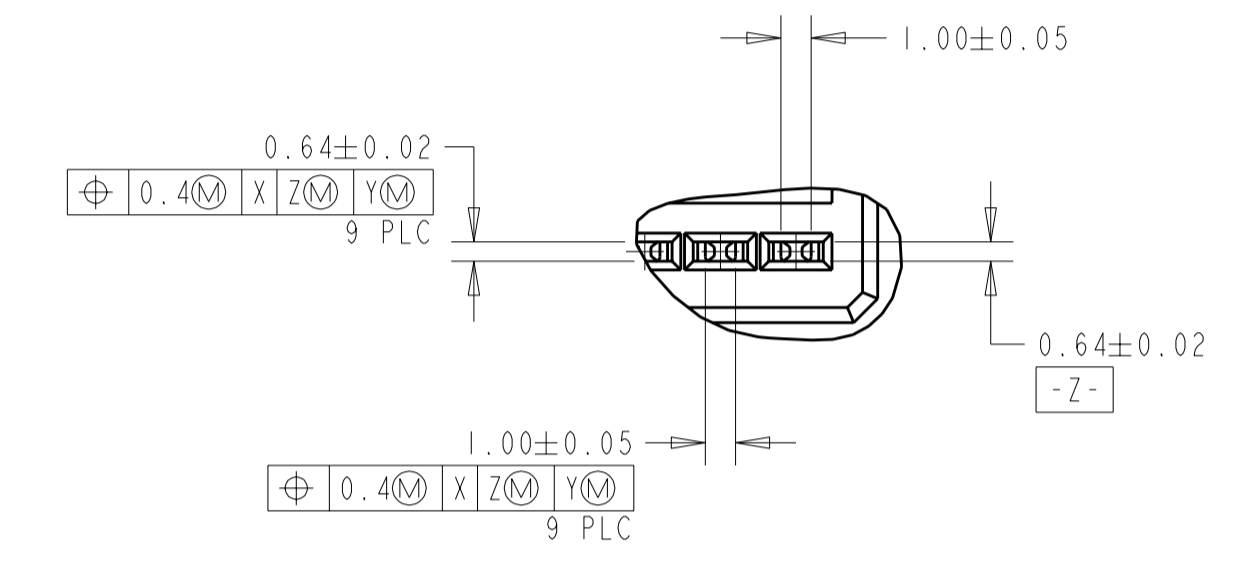
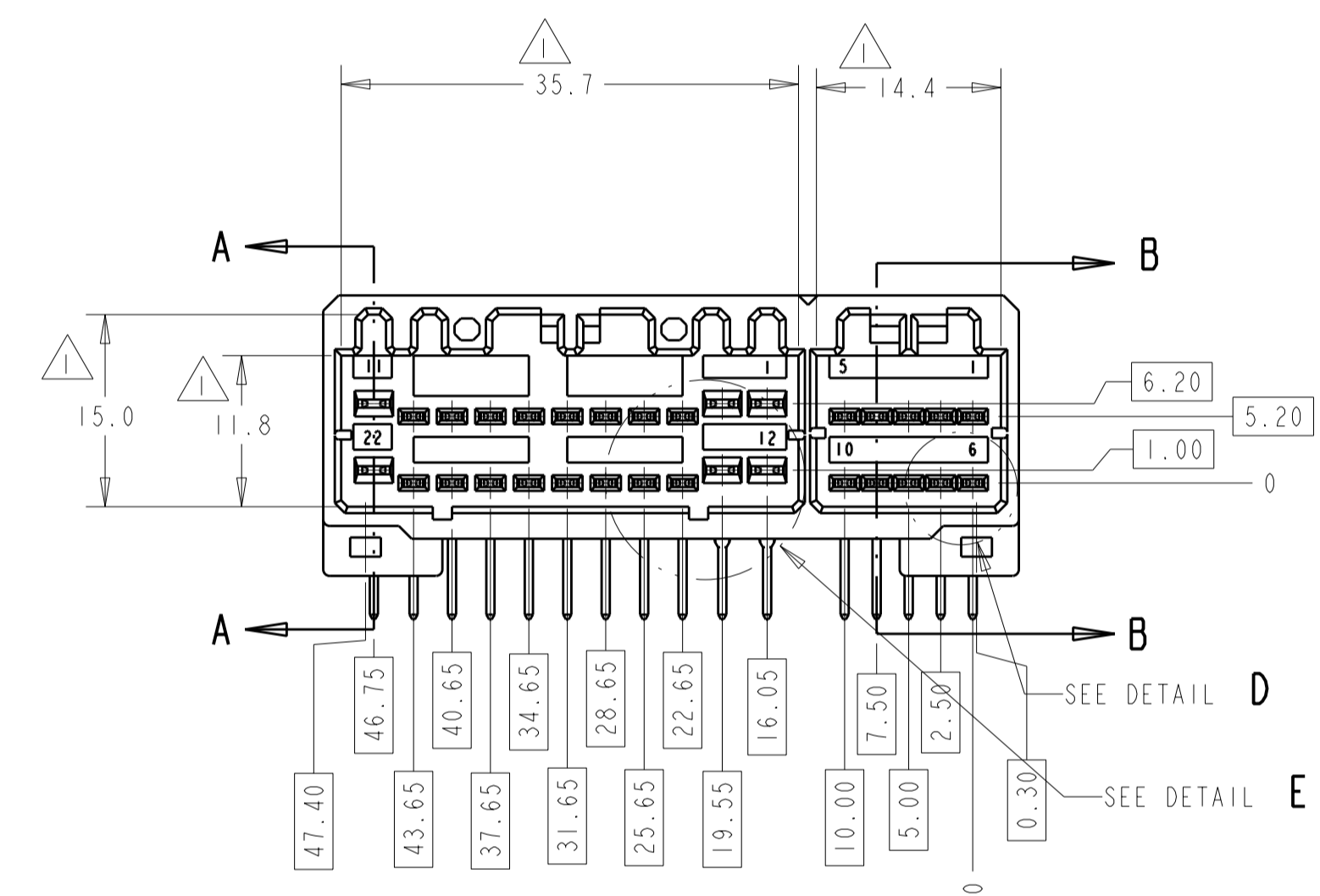
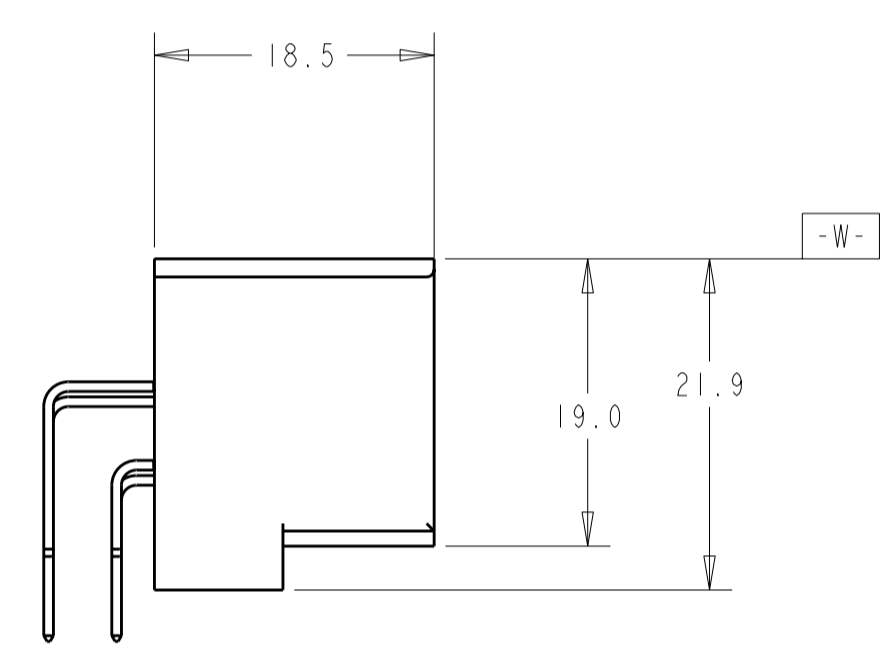
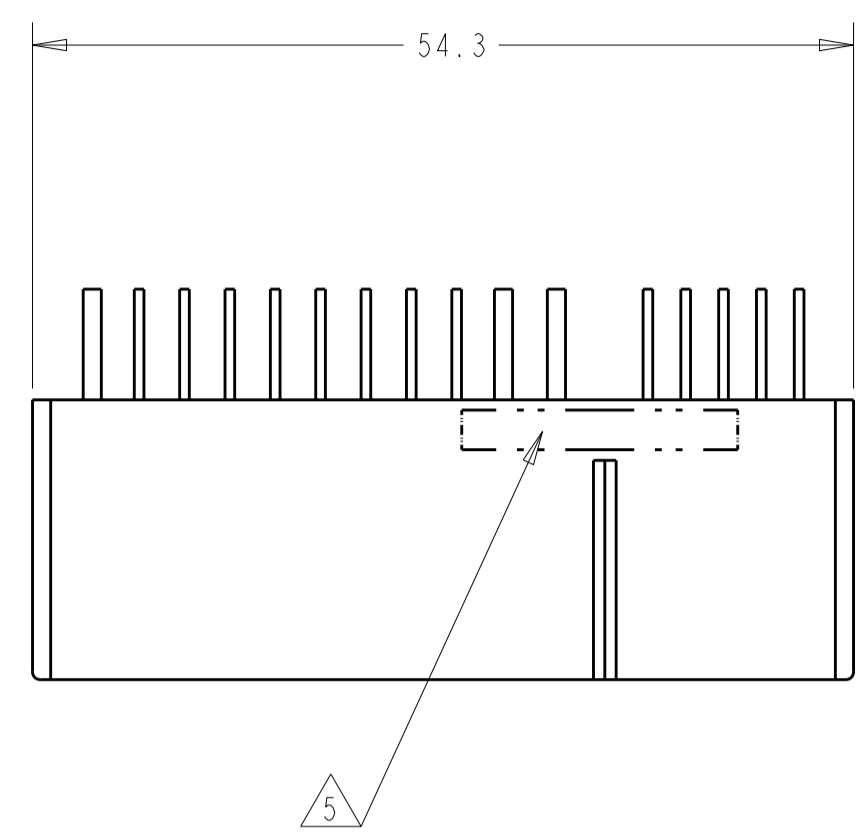
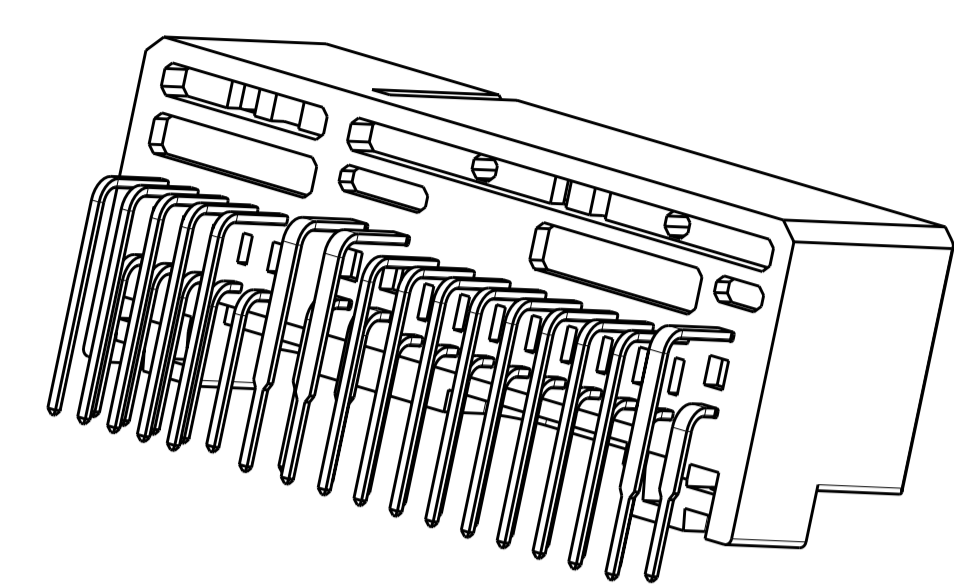
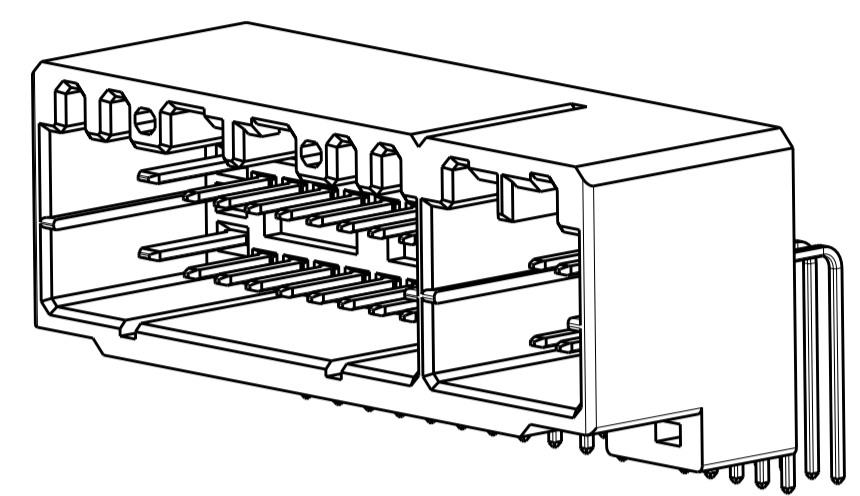
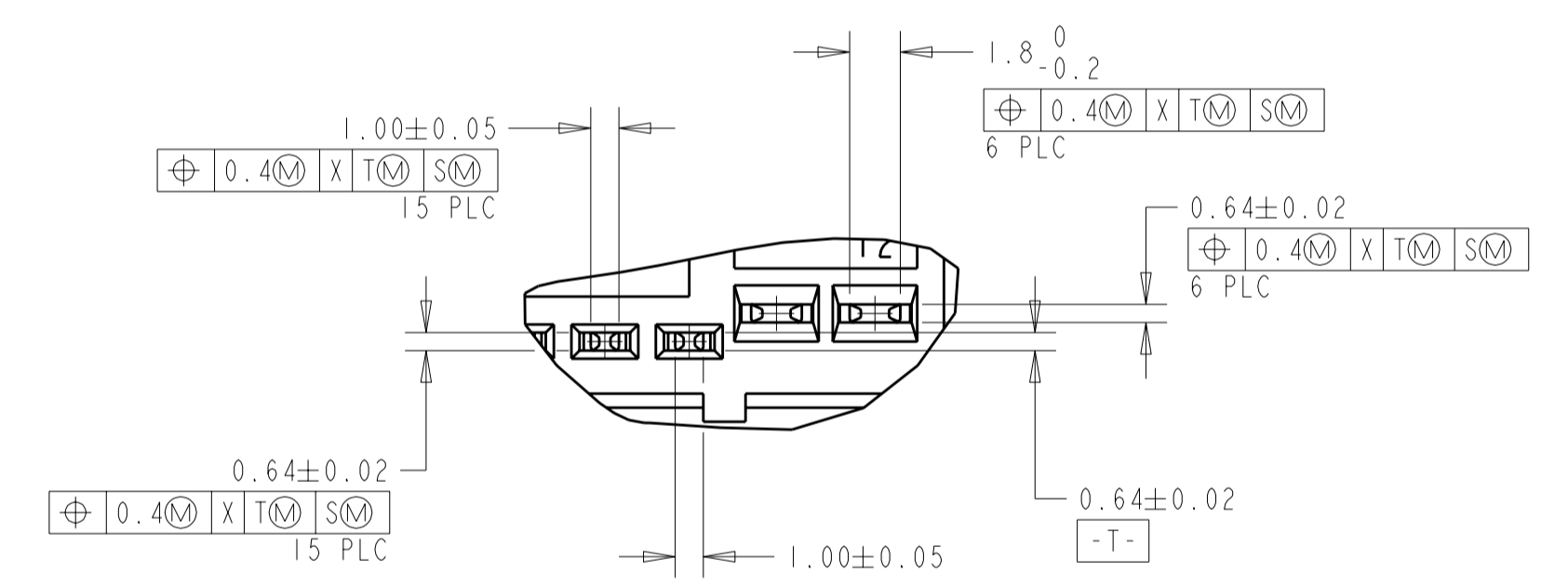


LOC	DIST	REVISIONS			
F	LTR	DESCRIPTION	DATE	DMN	APVD
F		RLSD PER EC OK80-0035-05	28FEB2005	RGV	RMC

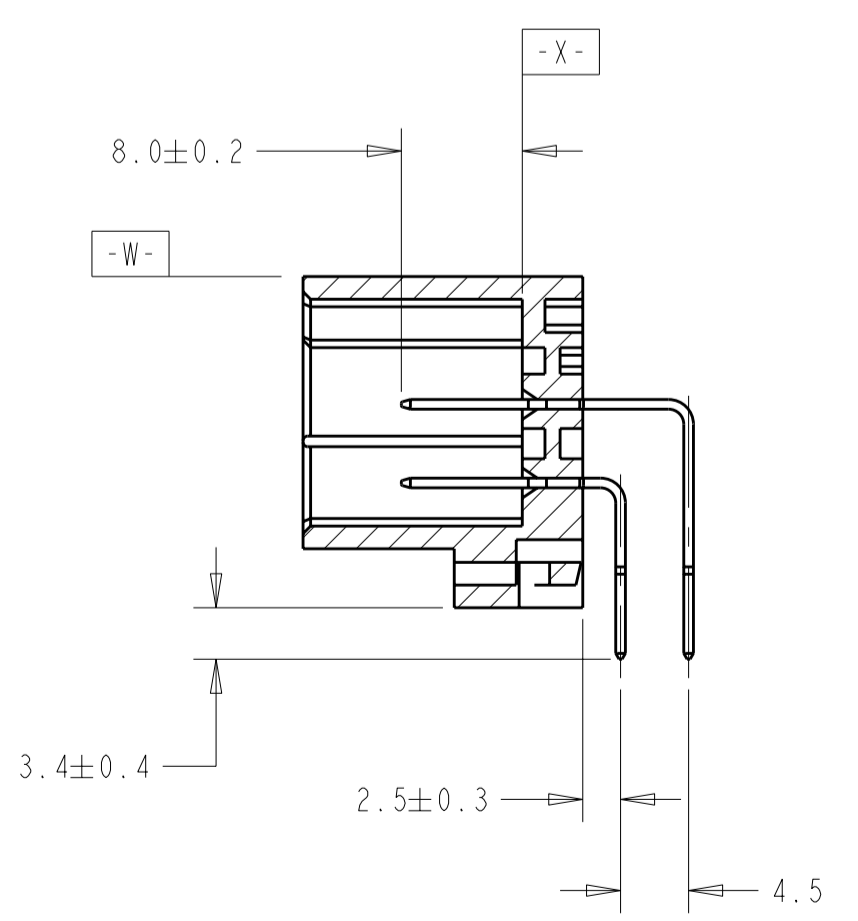
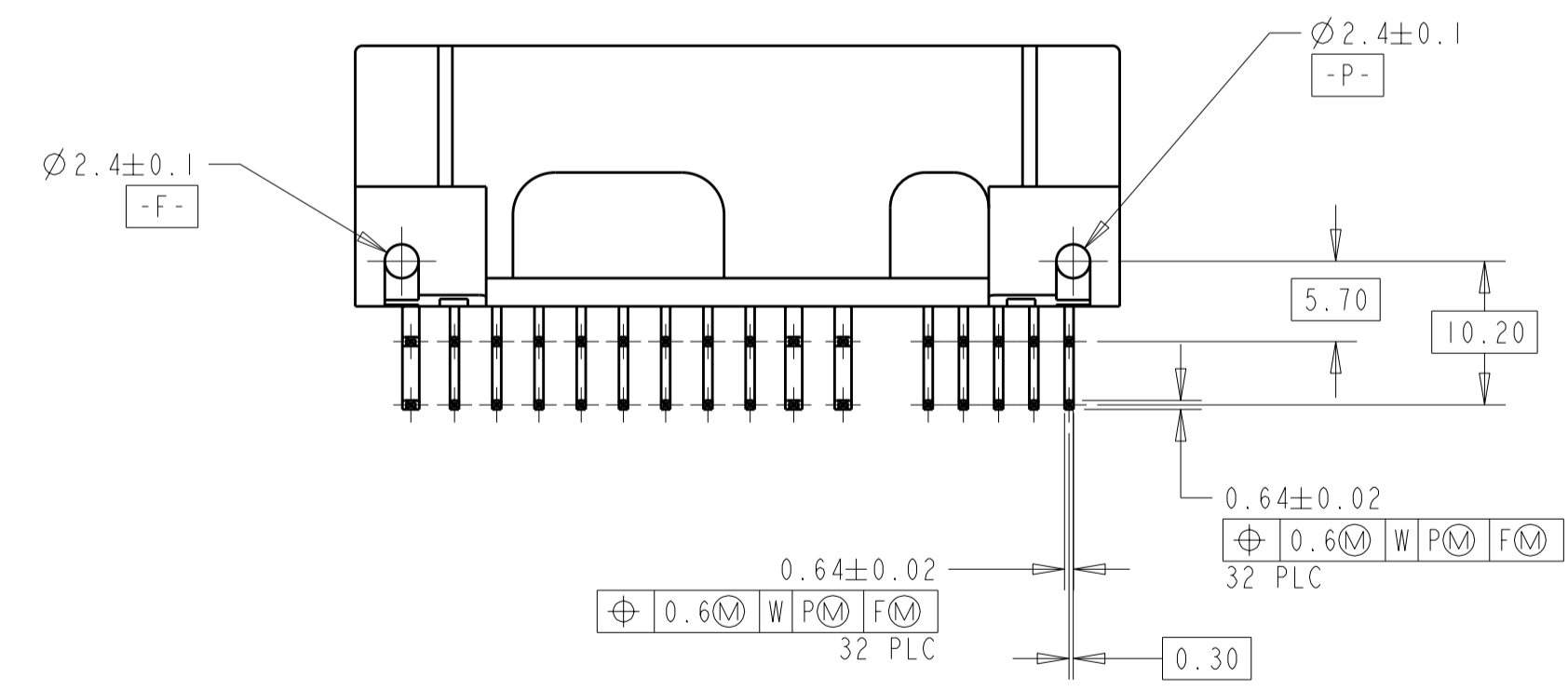
1. DIMENSION MUST BE HELD BETWEEN  $-X-$  AND 2.0 FROM  $-X-$
2. RECOMMENDED MOUNTING SCREW, 3mm DIA X 6mm LG, PAN HEAD, CLASS 2 TAPPING SCREW AS SPECIFIED IN JIS B1115 AND B1112.
3. DATUMS AND BASIC DIMENSIONS ESTABLISHED BY CUSTOMER.
4. MATING PLUGS: 22 POS 917989-1 THRU -6  
10 POS 638207-6
5. DATE CODE



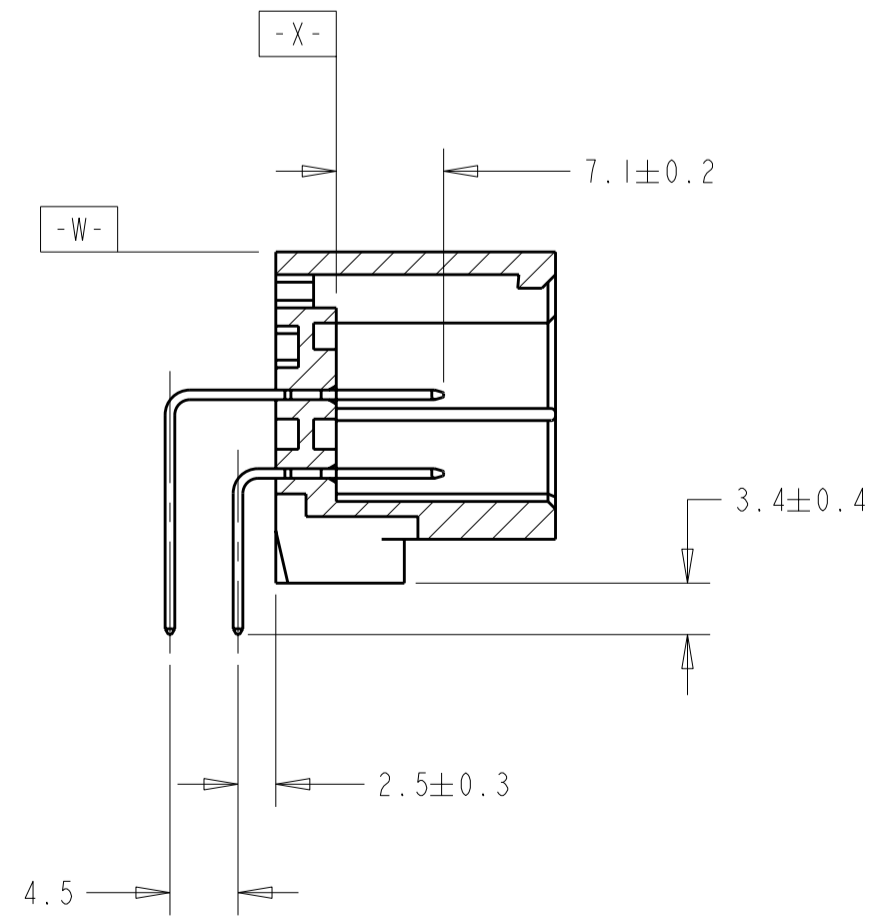
DETAIL D  
SCALE 4:1



DETAIL E  
SCALE 4:1



SECTION A-A  
SCALE 2:1  
(.070 TABS)



SECTION B-B  
SCALE 2:1  
(.040 TABS)

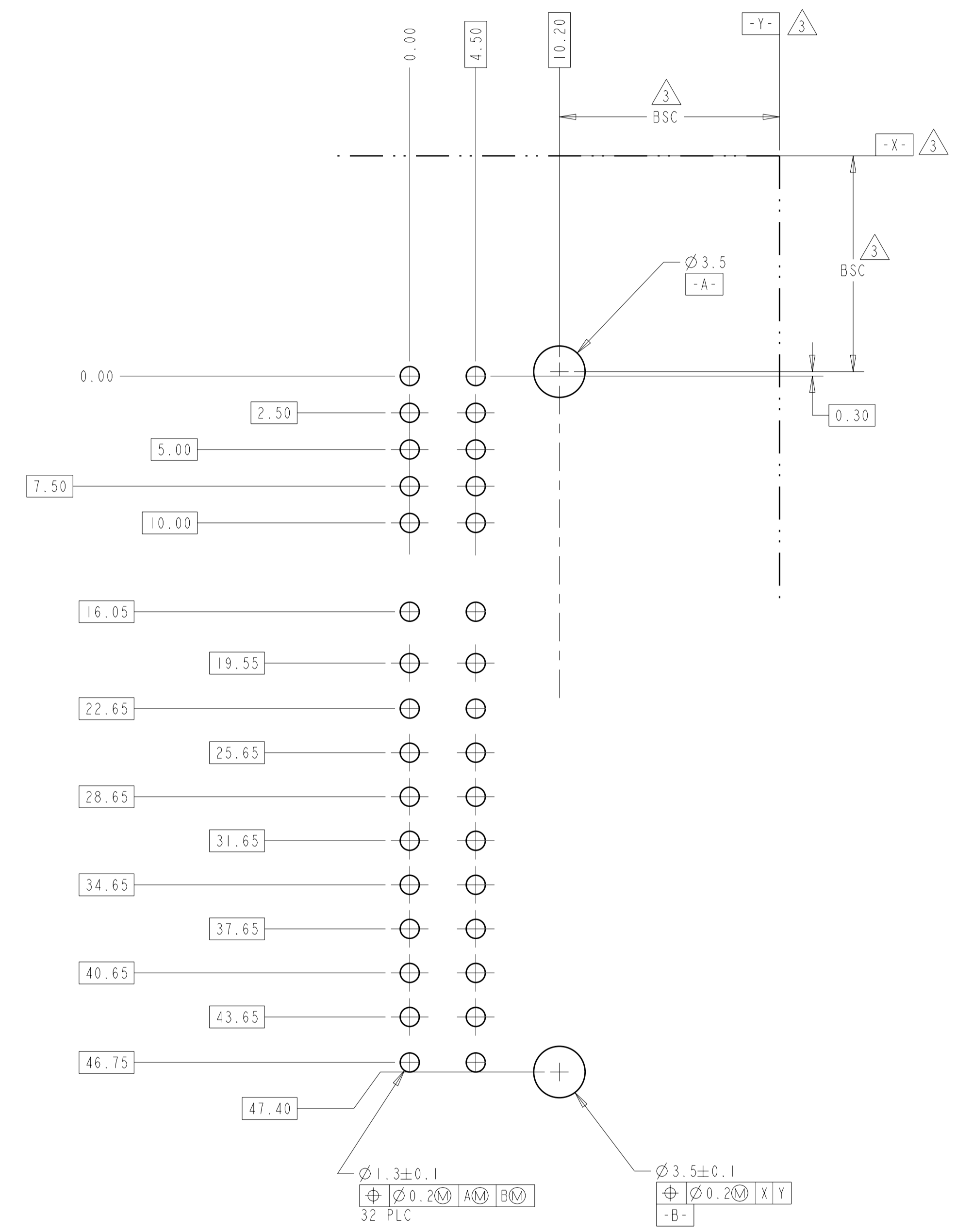
THIS AMP PROPRIETARY INFORMATION IS CONFIDENTIAL AND IS DISCLOSED TO YOU ON CONDITION THAT NO FURTHER DISCLOSURE IS MADE BY YOU TO ANYONE OTHER THAN AMP PERSONNEL WITHOUT WRITTEN AUTHORIZATION FROM AMP INCORPORATED, HARRISBURG, PA.

DIMENSIONS:		TOLERANCES UNLESS OTHERWISE SPECIFIED:		MATERIAL		FINISH		WEIGHT	
mm	0 PLC ±	1 PLC ±0.3	2 PLC ±0.15	3 PLC ±	4 PLC ±	ANGLES ±	SEE TABLE	SEE TABLE	SEE TABLE
MATERIAL		FINISH		WEIGHT		SCALE		SHEET	
SEE TABLE		SEE TABLE		SEE TABLE		2:1		1 OF 2	

BRASS	TIN OVER NICKEL GOLD OVER NICKEL	PBT	GRAY	2-638211-6
MATERIAL	CONTACT FINISH	MATERIAL	COLOR	PART NO
CONTACT		HOUSING		
R. VESTAL 28FEB2005		tyco Tyco Electronics		
R. COOPER 28FEB2005		Harrisburg, PA 17105-3608		
R. COOPER 28FEB2005		NAME		
PRODUCT SPEC		040/070 32 POSITION.		
APPLICATION SPEC		CAP ASSEMBLY 11, HORIZONTAL		
SIZE		CAGE CODE		DRAWING NO
A11		00779		638211
CUSTOMER DRAWING		SCALE 2:1 SHEET 1 OF 2 REV F		

LOC	DIST	REVISIONS			
P	LTH	DESCRIPTION	DATE	OWN	APVD
-	-	SEE SHEET 1	-	-	-



P.C. BOARD LAYOUT  
 SCALE 4:1

<small>THIS DRAWING IS UNPUBLISHED. IT IS THE PROPERTY OF TYCO ELECTRONICS CORPORATION. IT IS SUBJECT TO CHANGE AND SHOULD BE CONTROLLED BY THE ISSUING ORGANIZATION. SHOULD BE CONTACTED FOR THE LATEST REVISION.</small>		DWN R. VESTAL 28FEB2005 CHK R. COOPER 28FEB2005 APVD R. COOPER 28FEB2005	<b>tyco</b> Electronics Tyco Electronics Harrisburg, PA 17105-3608
DIMENSIONS: mm 		TOLERANCES UNLESS OTHERWISE SPECIFIED: 0 PLC ± 1 PLC ±0.3 2 PLC ±0.15 3 PLC ± 4 PLC ± ANGLES ±1°	NAME 040/070 32 POSITION CAP ASSEMBLY 11, HORIZONTAL PRODUCT SPEC - APPLICATION SPEC - SIZE CAGE CODE DRAWING NO RESTRICTED TO A 00779 C=638211 -
MATERIAL - FINISH -		WEIGHT - CUSTOMER DRAWING	SCALE 2:1 SHEET 2 OF 2 REV F