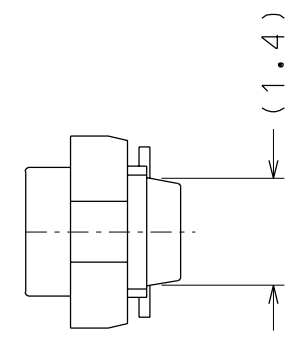
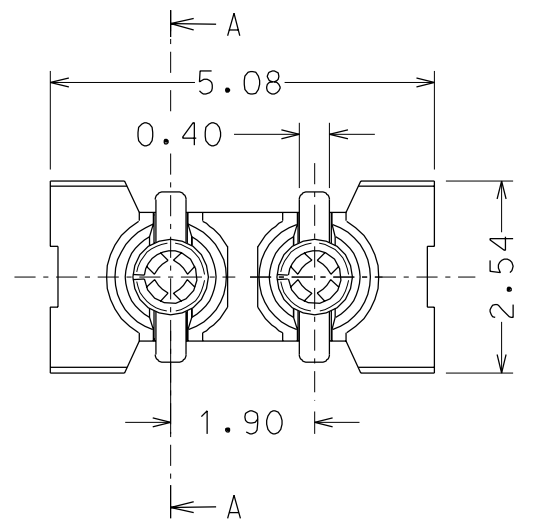
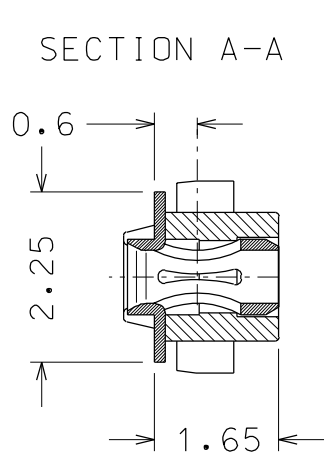
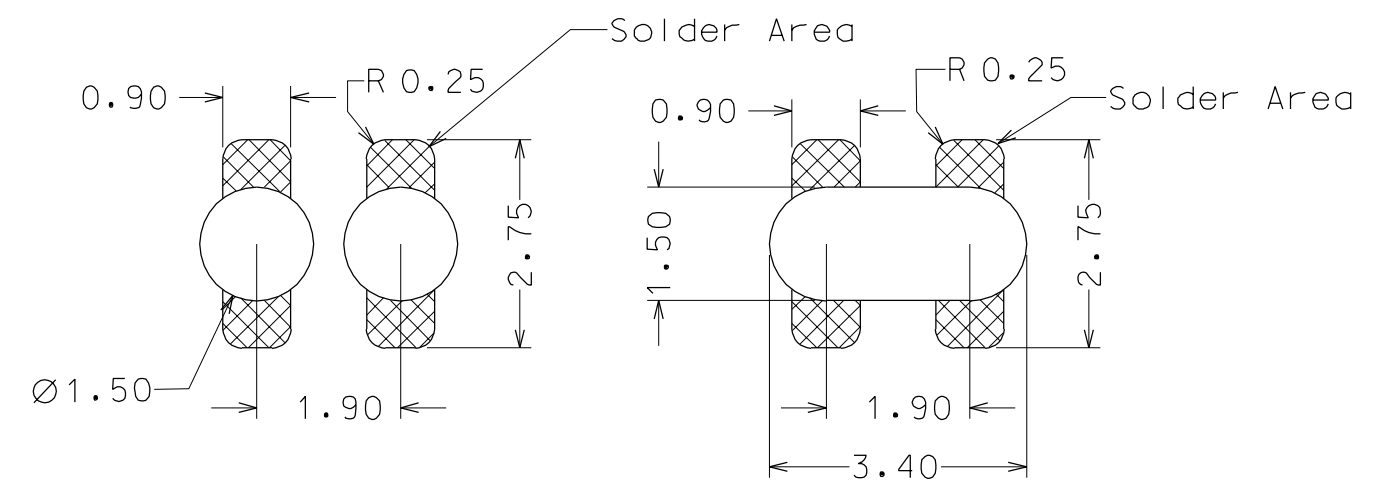


MATERIALS:
 - TERMINAL- PhBz CuSn 8 (C521). TIN PRE-PLATED STOCK (0.15mm THICK)
 - HOUSING - STANYL (PA4.6) 30% G.F. VO BLACK COLOR

NOTES:
 PIN DIA : 0.45+/-0.01
 PCB THICKNESS: 0.8 / 1.2mm
 COPLANARITY OF THE SOLDER TAILS: 0.1mm
 INS. FORCE (0.46 GAUGE): 3.5N MAX/CIRCUIT
 W/D FORCE (0.44 GAUGE): 0.5N MIN/CIRCUIT
 PACKAGING: SEE SHEET 2/2
 PRODUCT CHARACTERISTICS: ACCORDING TO PS-94123-007.



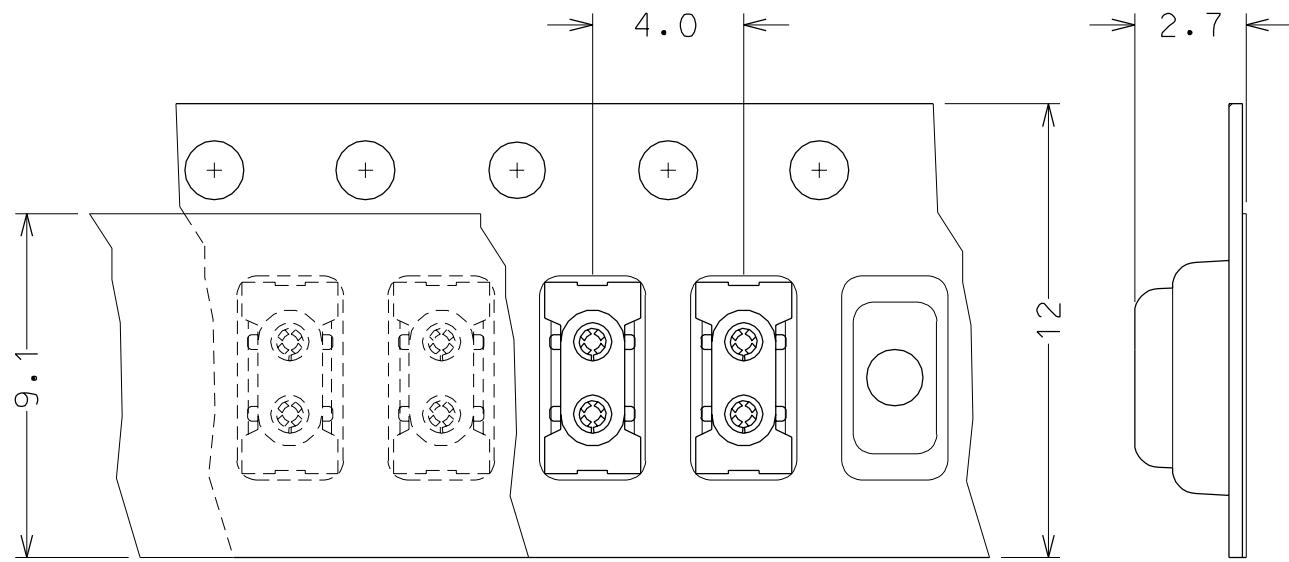
PROPOSED P.C. BOARD LAYOUTS



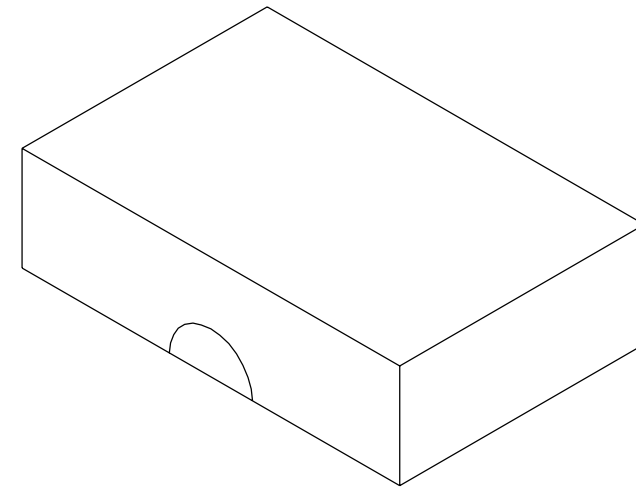
MTL NO°	PACKAGING
94123-6012	LOOSE IN BOX
94123-1012	TAPE & REEL

Std. Descr. "MIC. SOCKET SMT 1.9 PITCH 2 CKT"

EC NO. Z2002-0093 DRWN:GZUIN 02/07/30 CHK: MTESTAGUZZA 02/07/30 APPR:RMARTUCCI 02/07/30	QUALITY SYMBOLS MAJOR M = 1 SIGNIF. S = 1 CRITICAL C =	GENERAL TOLERANCES: (UNLESS SPECIFIED) mm INCH 4 PLACES ±0. ±. 3 PLACES ±0. ±. 2 PLACES ±0.05 ±. 1 PLACE ±0.1 ±. ANGULAR: ± 1°	SCALE 10:1 DESIGN UNITS <input checked="" type="checkbox"/> mm <input type="checkbox"/> INCH FIRST ANGLE PROJECTION	DRAWN BY & DATE GZUIN 01/11/19 CHECKED BY & DATE MTESTAGUZZA 01/11/19 APPROVED BY & DATE RMARTUCCI 01/11/19 CAD FILENAME	DIMENSIONS: <input type="checkbox"/> mm <input type="checkbox"/> INCH <input checked="" type="checkbox"/> mm ONLY	SHT REV REVISE ON CAD ONLY
	REV	DRAFT WHERE APPLICABLE MUST REMAIN WITHIN DIMENSIONS	THIS DRAWING CONTAINS INFORMATION THAT IS PROPRIETARY TO MOLEX INCORPORATED AND SHOULD NOT BE USED WITHOUT WRITTEN PERMISSION.	TITLE: SMT SIP SOCKET BOTTOM ENTRY 2 CKT 1.9 PITCH "I" SHAPE	MATERIAL NO. SEE TABLE DRAWING NO. SD-94123-005 SHEET NO. 1 / 2	SIZE A3



USER DIRECTION OF FEED →



PACKAGING CONFIGURATION
TAPE & REEL PER EIA 481

NOTES:

EMBOSSED CARRIER 12 mm
(BLACK CONDUCTIVE POLYCARBONATE)
COVER TAPE 9.1 mm
(ANTI-STATIC POLYESTER FILM)
REEL DIA 330mm (NOT CONDUCTIVE
POLYSTYRENE)
EXTERNAL BOX DIM = 360X360X200 mm
N° OF PCS/REEL = 6 K
N° OF REELS/BOX = 8
N° OF PCS/BOX = 48 K
S.P.Q. = 48 K PCS

PACKAGING CONFIGURATION
LOOSE IN BOX

NOTES:

POLYESTER BAG
DIM = 130X170+20 mm
PRIMARY CARTON BOX
DIM = 200X130X55 mm
SHIPPING CARTON UNIT
DIM = 410X220X200 mm
N° OF PCS/BAG = 6 K
N° OF BAGS/BOX = 5
N° OF PCS/BOX = 30 K
S.P.Q. = 30 K

MTL NO°	PACKAGING
94123-6012	LOOSE IN BOX
94123-1012	TAPE & REEL

EC NO. Z2003-0023 DRWN:GZUIN 02/07/30 CHK: MTESTAGUZZA 02/07/30 APPR:RMARTUCCI 02/07/30	QUALITY SYMBOLS	GENERAL TOLERANCES: (UNLESS SPECIFIED)		SCALE NOT	DESIGN UNITS <input checked="" type="checkbox"/> mm <input type="checkbox"/> INCH	FIRST ANGLE PROJECTION	DIMENSIONS: <input type="checkbox"/> mm <input type="checkbox"/> INCH <input checked="" type="checkbox"/> mm ONLY	SHT	REV	
	MAJOR M =	mm	INCH	DRAWN BY & DATE GZUIN 01/11/19	TITLE: SMT SIP SOCKET BOTTOM ENTRY 2 CKT 1.9 PITCH "I" SHAPE					
	SIGNIF. S =	4 PLACES ±0.	±.	CHECKED BY & DATE MTESTAGUZZA 01/11/19	MOLEX INCORPORATED					
	CRITICAL C =	3 PLACES ±0.	±.	APPROVED BY & DATE RMARTUCCI 01/11/19	CAD FILENAME	MATERIAL NO. SEE TABLE	DRAWING NO. SD-94123-005	SHEET NO. 2 / 2		
A	REV	DRAFT WHERE APPLICABLE MUST REMAIN WITHIN DIMENSIONS		THIS DRAWING CONTAINS INFORMATION THAT IS PROPRIETARY TO MOLEX INCORPORATED AND SHOULD NOT BE USED WITHOUT WRITTEN PERMISSION.				SIZE A3		