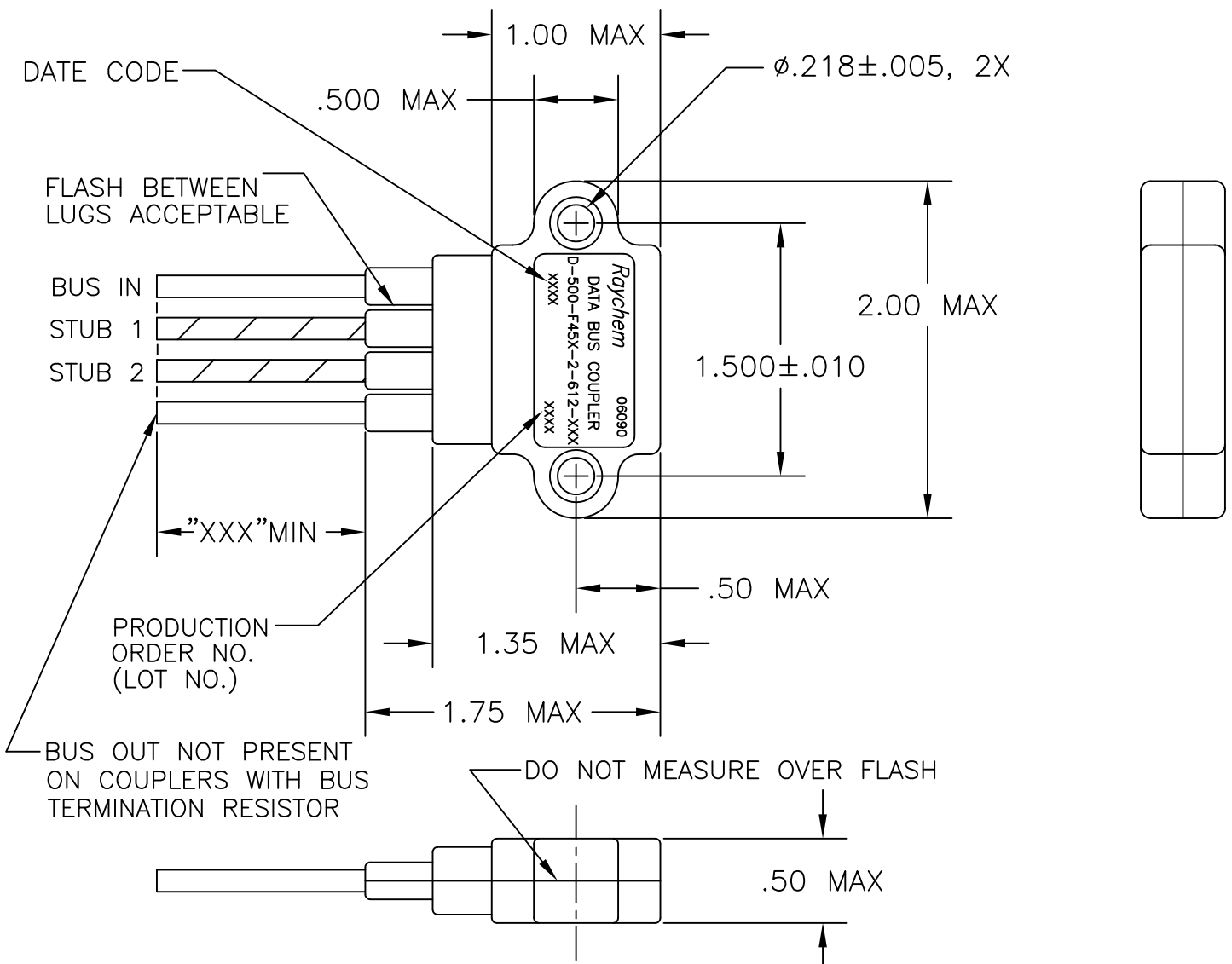


THIS DRAWING AND THE INFORMATION SET FORTH HEREON ARE THE PROPERTY OF TYCO ELECTRONICS CORPORATION, AND ARE TO BE HELD IN TRUST AND CONFIDENCE. PUBLICATION, DUPLICATION, DISCLOSURE OR USE FOR ANY PURPOSE NOT EXPRESSLY AUTHORIZED IN WRITING BY TYCO ELECTRONICS CORPORATION IS PROHIBITED.

REV		DESCRIPTION	DATE	APPROVED
G		REVISED DWG PER ECO-12-003699	2/29/12	E.Chen



PART NUMBER BREAKDOWN  
D-500-F45X-2-612-XXX

CONFIGURATION — CABLE LENGTH (INCHES)  
 5=BUS OUT — CABLE TYPE  
 7=INTERNAL BUS TERMINATOR — NUMBER OF STUBS

If this document is printed it becomes uncontrolled. Check for the latest revision

© 2012 Tyco Electronics Corporation. All Rights Reserved.

Raychem Databus CUSTOMER DRAWING		
		TE Connectivity
TITLE DATA BUS FLATPACK, SPLICE-IN, NAVIGATION, BELL HARNESS		
SIZE A	CODE IDENT. NO. 06090	DWG. NO. D-500-F45X-2-612-XXX
SCALE: 1:1		DO NOT SCALE THIS DRAWING
		SHEET 1 OF 2

DIMENSIONING AND TOLERANCING PER ASME Y14.5M-2009	DRAWN MHOBSON	DATE 98MAR12
UNLESS OTHERWISE SPECIFIED DIMENSIONS ARE IN INCHES AND TOLERANCES ARE AS FOLLOWS:  .XXX ±.010 .XX ±.02	CHECKED GMR	DATE 2/29/12
	APPROVED	DATE
	THIRD ANGLE PROJECTION	
WEIGHT 25g { .055lbs }	PROJECT	
CAD NAME D-500-F45X-2-612-XXX_CDα_G		

1.0 MATERIAL AND FINISHES:

1.1 INTERNAL COMPONENTS

1.1.1 TRANSFORMER COMPLIES TO MIL-PRF-21038 AND MIL-STD-1553B

1.1.2 ISOLATION RESISTORS TO MIL-PRF-39007/9, 57.6 OHMS

1.1.3 TERMINATION RESISTORS TO MIL-PRF-39007/9, 76.8 OHMS

1.2 SHIELDED CASE: ALUMINUM PER ASTM B618

1.3 CABLE TYPE PER SPECIFICATION RAYCHEM SPECIFICATION 1200 (SEE TABLE ON SHEET 1).

1.4 ENVIRONMENTAL COVERING: BLACK EPOXY

2.0 APPLICATION

2.1 THIS COUPLER IS DESIGNED TO BE INSTALLED INTO A DIGITAL MULTIPLEX ASSEMBLY MEETING THE REQUIREMENTS OF MIL-STD-1553B.

2.1.1 FOR CABLE SPLICING USE FLEXIBLE SPLICE KIT D-150-0708-5 (NOT SUPPLIED).

2.2 CABLE BEND RADIUS PER MIL-W-5088 STATIC BEND: 5 X CABLE O.D. MIN.

DYNAMIC BEND: 10 X CABLE O.D. MIN.

3.0 TEMPERATURE:

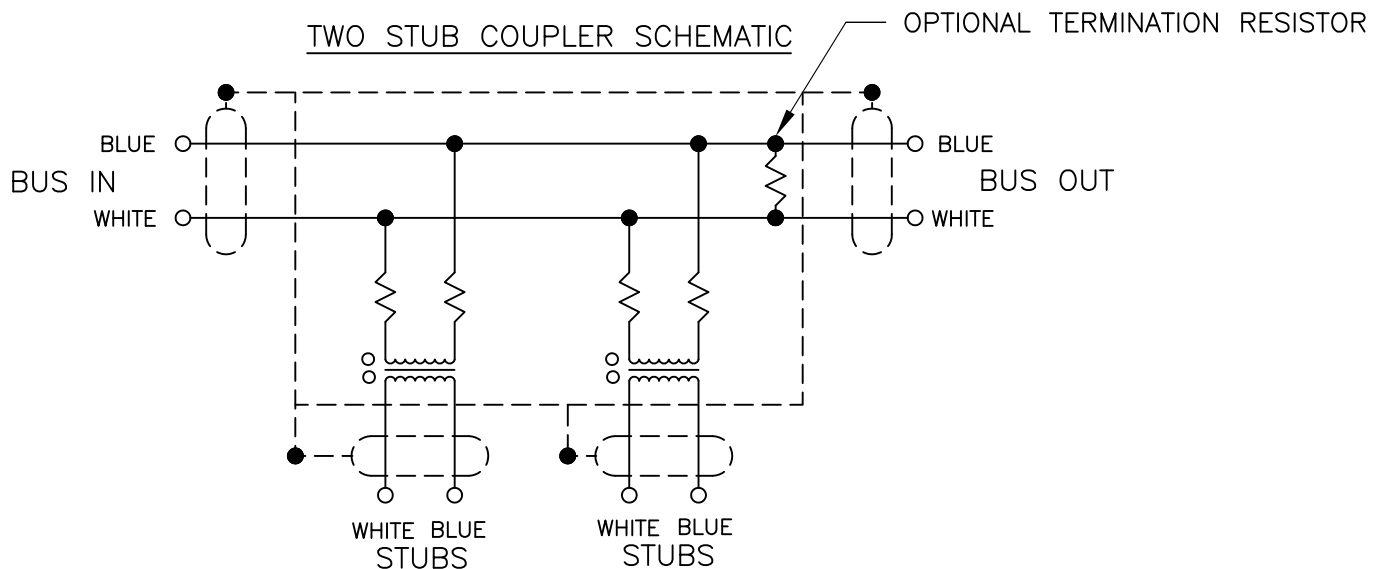
3.1 OPERATING TEMPERATURE: -46°C TO +150°C

4.0 WEIGHT:

4.1 MAXIMUM WEIGHT WITHOUT CABLE: 25 GRAMS MAX.

5.0 PERFORMANCE SPECIFICATIONS:

5.1 CONFIGURATION AND PERFORMANCE PER BELL DRAWING 406-375-229.



Raychem Databus CUSTOMER DRAWING



TE Connectivity

If this document is printed it becomes uncontrolled. Check for the latest revision

DRAWN M.HOBSON	DATE 98MAR12	SIZE A	CODE IDENT. NO. 06090	DWG. NO. D-500-F45X-2-612-XXX	REV G
CAD FILE D-500-F45X-2-612-XXX_CDb_G		SCALE: NONE		DO NOT SCALE DRAWING	SHEET 2 OF 2