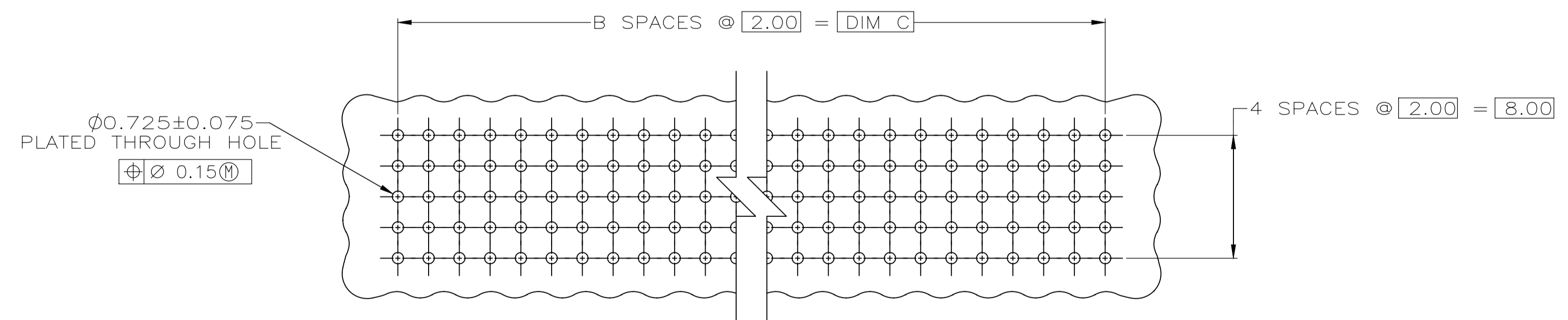
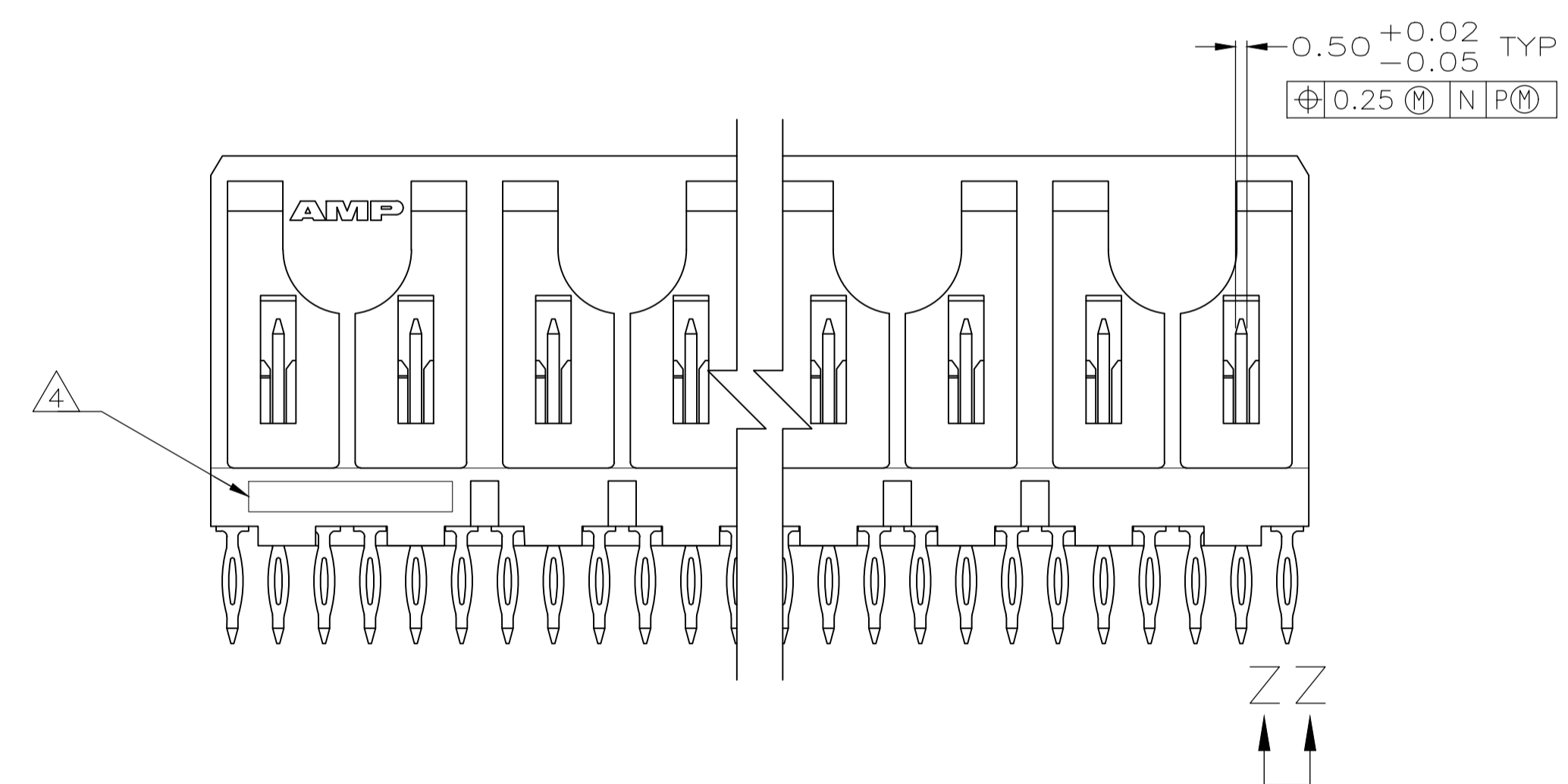
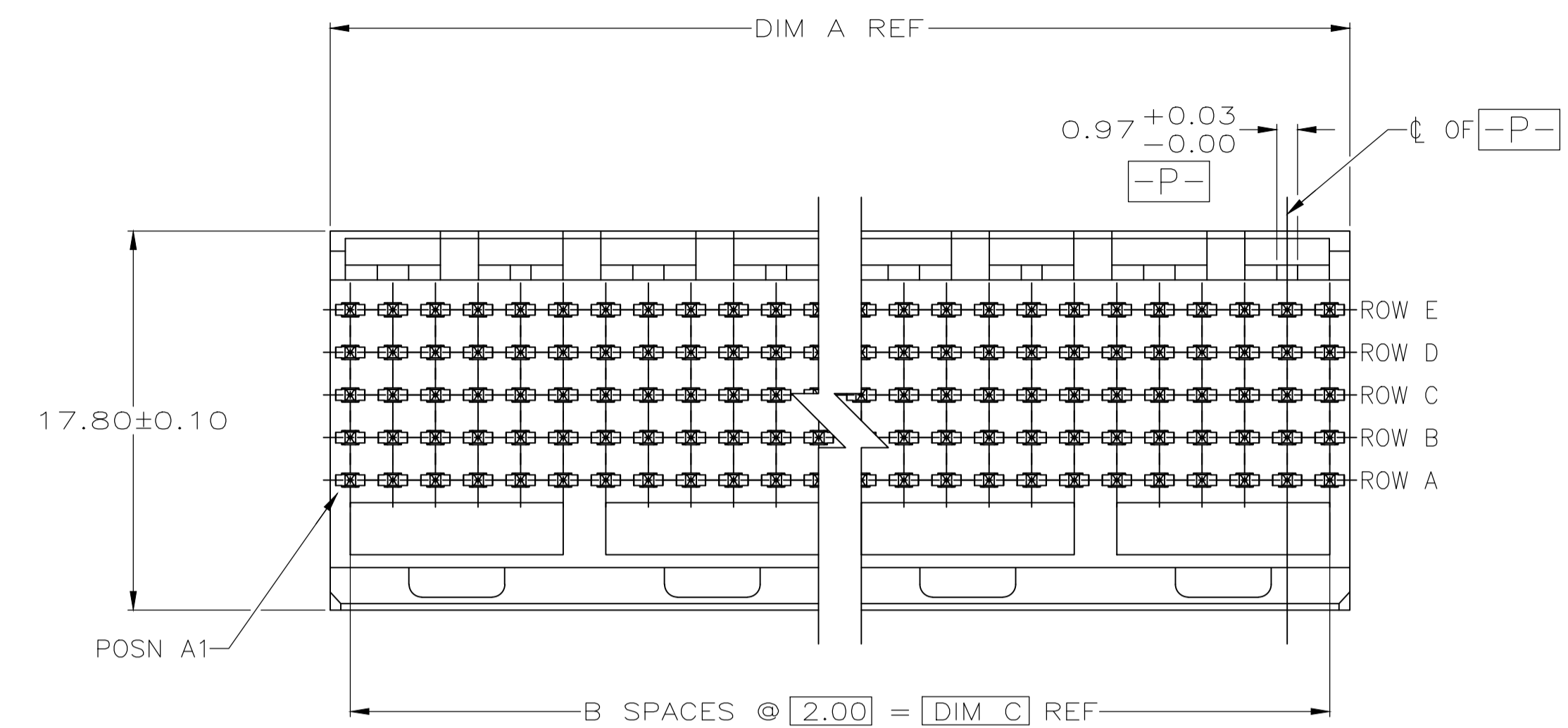


REVISIONS					
P	LTR	DESCRIPTION	DATE	DMN	APVD
A		REVISED PER ECO-20-013368	28SEP2020	RZ	HL

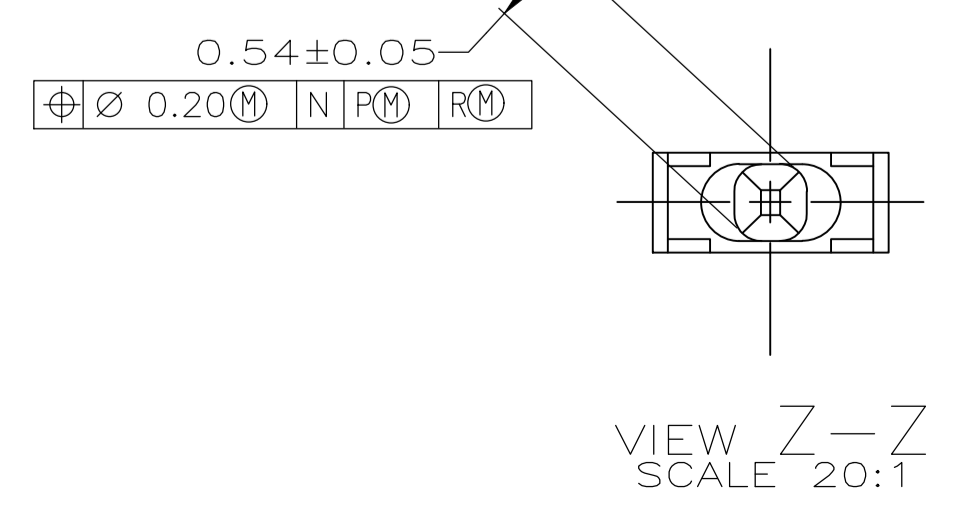


RECOMMENDED CIRCUIT PATTERN (COMPONENT SIDE)

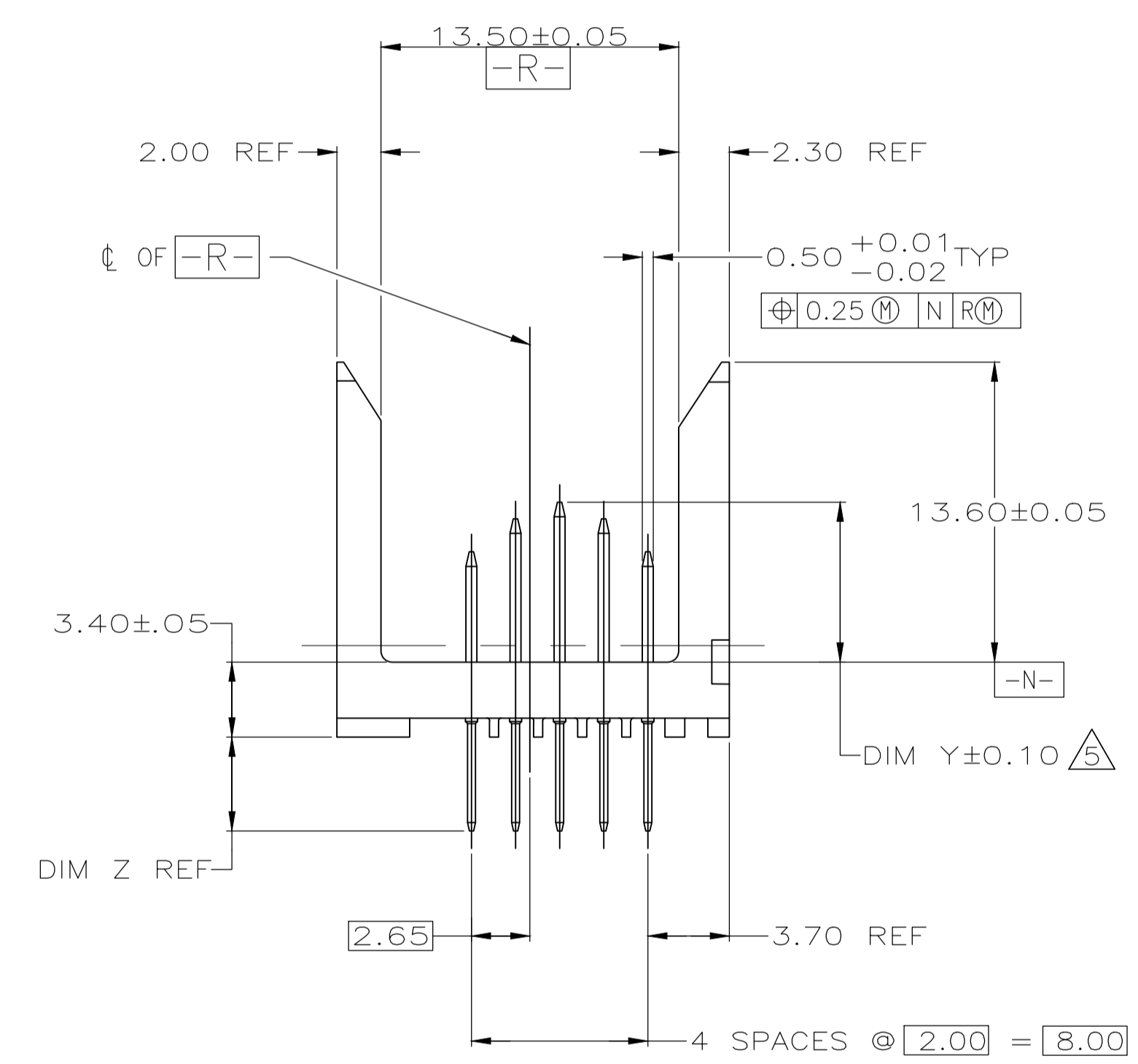
E	A	A	A	A	A	A	A	A	A	A	A	A	A	A	A	A	A	A	E
D	J	J	J	J	J	J	J	J	J	J	J	J	J	J	J	J	J	J	D
C	N	N	N	N	N	N	N	N	N	N	N	N	N	N	N	N	N	N	C
B	J	J	J	J	J	J	J	J	J	J	J	J	J	J	J	J	J	J	B
A	A	A	A	A	A	A	A	A	A	A	A	A	A	A	A	A	A	A	A
ROW 1																			

CONTACT LOAD CHART

N	7.25	4.25
J	6.50	4.25
A	5.00	4.25
CONTACT LETTER	DIM Y	DIM Z



- △ HOUSING MATERIAL: LIQUID CRYSTAL POLYMER. COLOR: NATURAL.
- △ CONTACT MATERIAL: PHOSPHOR BRONZE.
- △ CONTACT FINISH:(B)
UNDERPLATE (ENTIRE CONTACT):
0.00127 MIN NICKEL PER SAE-AMS-QQ-N-290
ON MATING SURFACES:
CONFORMS TO ALL TESTING SPECIFIED FOR TELCORDIA UNCONTROLLED ENVIRONMENT.
ON LEADS:
0.0006 MIN MATTE TIN PER ASTM B 545 OVER UNDERPLATE.
LUBRICATION (MIN MATING SURFACES):
SURFACE CONDITIONER AFTER PLATING.
- △ PART MARKING, LOCATED APPROXIMATELY AS SHOWN.
- △ DIMENSION APPLIES WHEN SEATED ON PRINTED CIRCUIT BOARD.
- △ OBSOLETE PARTS: OBSOLETE CIS STREAMLINING PER D.RENAUD/D.SINISI



	NUMBER OF COLUMNS	DIM C	B	DIM A	NUMBER OF SIGNAL POSITIONS	PART NUMBER
OBSOLETE	48	94.00	47	95.88	240	5223058-8
OBSOLETE	36	70.00	35	71.88	180	5223058-6
OBSOLETE	24	46.00	23	47.88	120	5223058-4
OBSOLETE	18	34.00	17	35.88	90	5223058-3
OBSOLETE	12	22.00	11	23.88	60	5223058-2

THIS DRAWING IS A CONTROLLED DOCUMENT.		DIN B MCMMASTER 24NOV04	TE Connectivity
DIMENSIONS: mm		CJK R WERTZ 24NOV04	
TOLERANCES UNLESS OTHERWISE SPECIFIED:		NAME	PIN ASSEMBLY,Z-PACK 2mm FB,SIGNAL, VERTICAL,5 ROW,WITH PRESS FIT LEADS
0 PLC ± -		APPLICATION SPEC	
1 PLC ± 0.13		SIZE	A1
2 PLC ± -		CAGE CODE	00779
3 PLC ± -		DRAWING NO	5223058
4 PLC ± -		RESTRICTED TO	
ANGLES ± -		WEIGHT	
MATERIAL		CUSTOMER DRAWING	
FINISH		SCALE	4:1
△ 1 △ 2 △ 3		SHEET	1 OF 2
		REV	A

REVISIONS				
#	LR	DESCRIPTION	DATE	APVD
-	-	SEE SHEET 1	-	-

N	7.25	4.25
J	6.50	4.25
A	5.00	4.25
CONTACT LETTER	DIM Y	DIM Z

E	A	A	A	A	A	A	A	A	A	A	A	A	A	E	5223058-2
D	J	J	J	J	J	J	J	J	J	J	J	J	J	D	
C	N	N	N	N	N	N	N	N	N	N	N	N	N	C	
B	J	J	J	J	J	J	J	J	J	J	J	J	J	B	
A	A	A	A	A	A	A	A	A	A	A	A	A	A	A	PART NUMBER
ROW	1	2	3	4	5	6	7	8	9	10	11	12	ROW	CONTACT LOAD CHART	

E	A	A	A	A	A	A	A	A	A	A	A	A	A	A	A	A	E	5223058-3		
D	J	J	J	J	J	J	J	J	J	J	J	J	J	J	J	J	D			
C	N	N	N	N	N	N	N	N	N	N	N	N	N	N	N	N	C			
B	J	J	J	J	J	J	J	J	J	J	J	J	J	J	J	J	B			
A	A	A	A	A	A	A	A	A	A	A	A	A	A	A	A	A	A	PART NUMBER		
ROW	1	2	3	4	5	6	7	8	9	10	11	12	13	14	15	16	17	18	ROW	CONTACT LOAD CHART

E	A	A	A	A	A	A	A	A	A	A	A	A	A	A	A	A	A	A	A	E	5223058-4					
D	J	J	J	J	J	J	J	J	J	J	J	J	J	J	J	J	J	J	J	D						
C	N	N	N	N	N	N	N	N	N	N	N	N	N	N	N	N	N	N	N	C						
B	J	J	J	J	J	J	J	J	J	J	J	J	J	J	J	J	J	J	J	B						
A	A	A	A	A	A	A	A	A	A	A	A	A	A	A	A	A	A	A	A	A	PART NUMBER					
ROW	1	2	3	4	5	6	7	8	9	10	11	12	13	14	15	16	17	18	19	20	21	22	23	24	ROW	CONTACT LOAD CHART

E	A	A	A	A	A	A	A	A	A	A	A	A	A	A	A	A	A	A	A	A	A	A	A	A	A	A	A	A	A	A	A	A	A	A	E	5223058-6		
D	J	J	J	J	J	J	J	J	J	J	J	J	J	J	J	J	J	J	J	J	J	J	J	J	J	J	J	J	J	J	J	J	J	J	D			
C	N	N	N	N	N	N	N	N	N	N	N	N	N	N	N	N	N	N	N	N	N	N	N	N	N	N	N	N	N	N	N	N	N	N	C			
B	J	J	J	J	J	J	J	J	J	J	J	J	J	J	J	J	J	J	J	J	J	J	J	J	J	J	J	J	J	J	J	J	J	J	J		B	
A	A	A	A	A	A	A	A	A	A	A	A	A	A	A	A	A	A	A	A	A	A	A	A	A	A	A	A	A	A	A	A	A	A	A	A	A	PART NUMBER	
ROW	1	2	3	4	5	6	7	8	9	10	11	12	13	14	15	16	17	18	19	20	21	22	23	24	25	26	27	28	29	30	31	32	33	34	35	36	ROW	CONTACT LOAD CHART

E	A	A	A	A	A	A	A	A	A	A	A	A	A	A	A	A	A	A	A	A	A	A	A	A	A	A	A	A	A	A	A	A	A	A	A	A	A	E	5223058-8											
D	J	J	J	J	J	J	J	J	J	J	J	J	J	J	J	J	J	J	J	J	J	J	J	J	J	J	J	J	J	J	J	J	J	J	J	J	D													
C	N	N	N	N	N	N	N	N	N	N	N	N	N	N	N	N	N	N	N	N	N	N	N	N	N	N	N	N	N	N	N	N	N	N	N	N	C													
B	J	J	J	J	J	J	J	J	J	J	J	J	J	J	J	J	J	J	J	J	J	J	J	J	J	J	J	J	J	J	J	J	J	J	J	J	J	B												
A	A	A	A	A	A	A	A	A	A	A	A	A	A	A	A	A	A	A	A	A	A	A	A	A	A	A	A	A	A	A	A	A	A	A	A	A	A	A	PART NUMBER											
ROW	1	2	3	4	5	6	7	8	9	10	11	12	13	14	15	16	17	18	19	20	21	22	23	24	25	26	27	28	29	30	31	32	33	34	35	36	37	38	39	40	41	42	43	44	45	46	47	48	ROW	CONTACT LOAD CHART

THIS DRAWING IS A CONTROLLED DOCUMENT.

DIMENSIONS: mm 	TOLERANCES UNLESS OTHERWISE SPECIFIED: 0 PLC ± - 1 PLC ± - 2 PLC ± 0.13 3 PLC ± - 4 PLC ± - ANGLES ± -	DWG: B.MCMMASTER 24NOV04 CHK: R.WERTZ 24NOV04 APD: R.WERTZ 24NOV04 NAME: R.WERTZ PRODUCT SPEC: - APPLICATION SPEC: - FINISH: - WEIGHT: - CUSTOMER DRAWING: -	TE Connectivity PIN ASSEMBLY,Z-PACK 2mm FB,SIGNAL, VERTICAL,5 ROW,WITH PRESS FIT LEADS SIZE: A1 CAGE CODE: 00779 DRAWING NO: 5223058 SCALE: 4:1 SHEET: 2 OF 2 REV: A
-----------------------	--	--	--