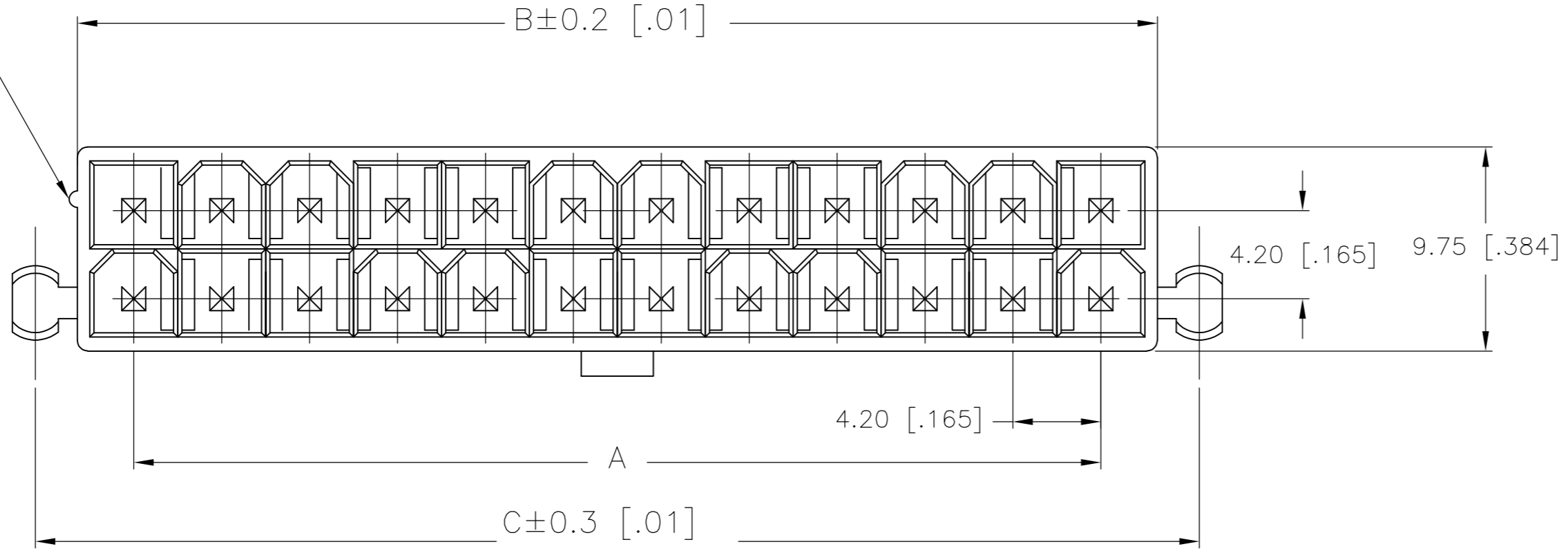


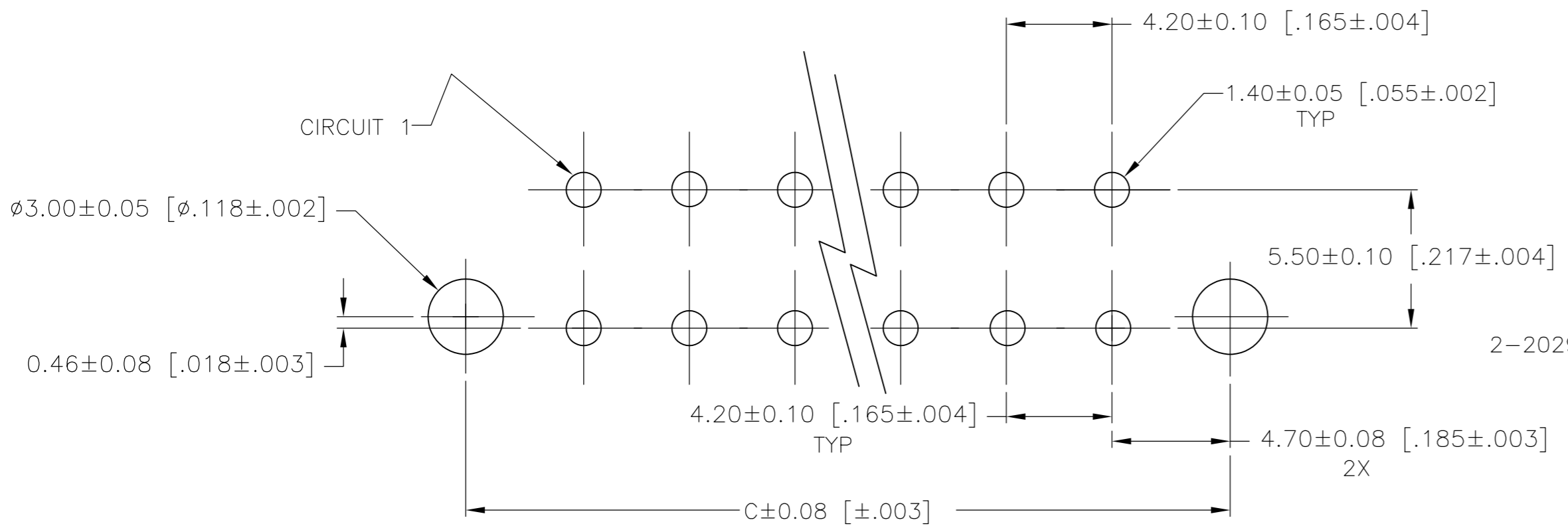
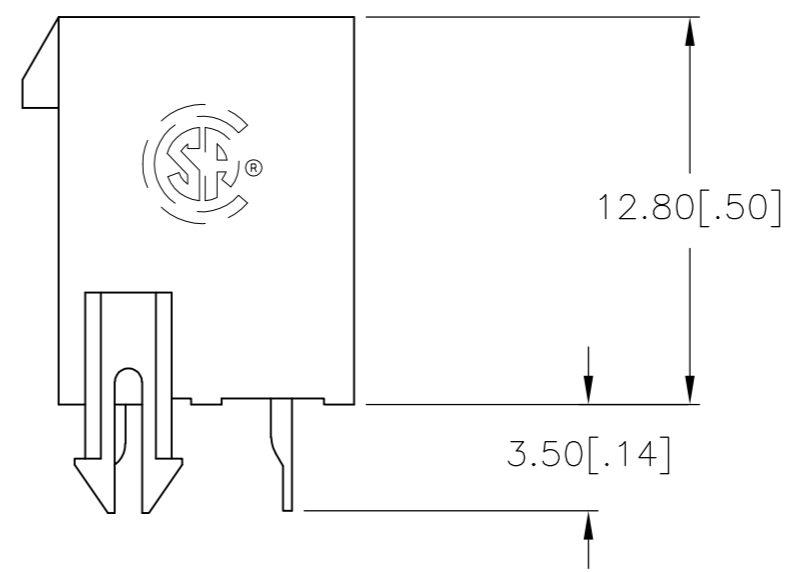
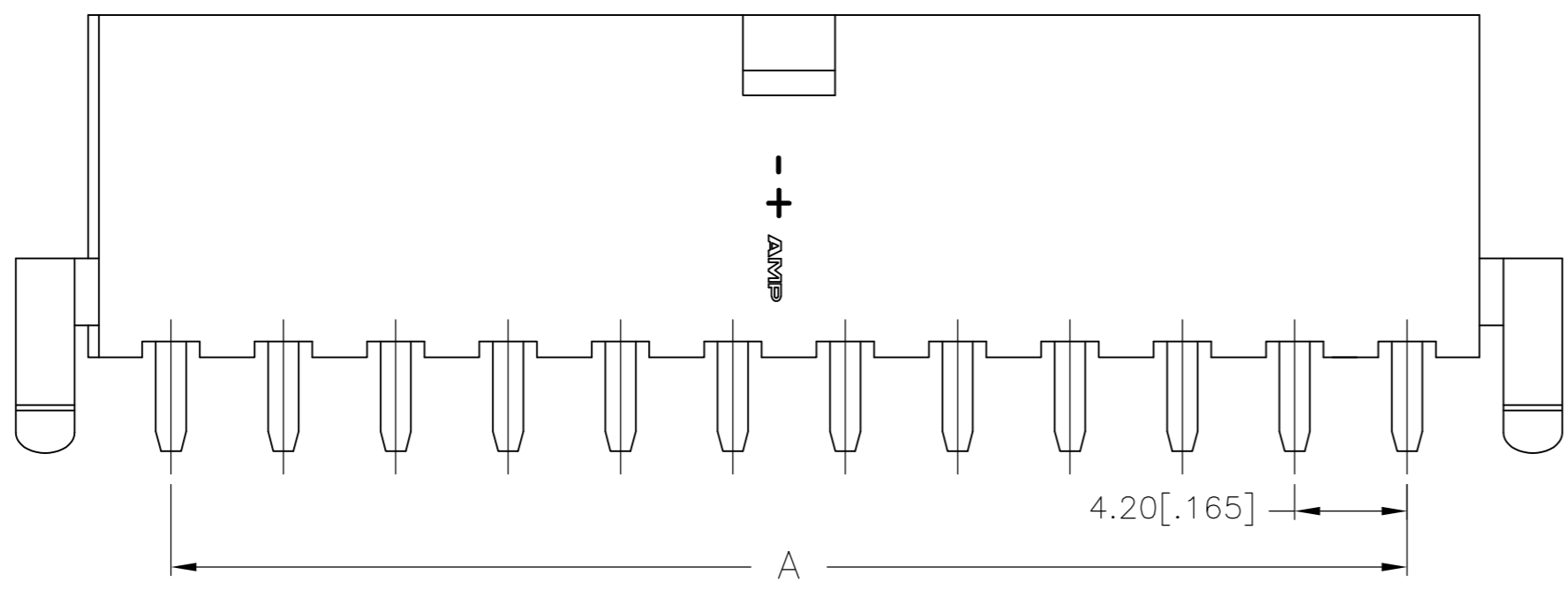
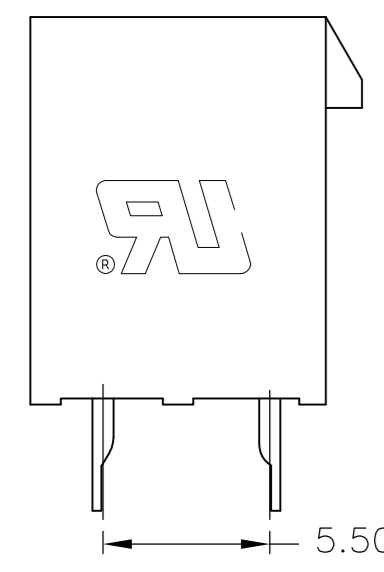
THIS DRAWING IS UNPUBLISHED. RELEASED FOR PUBLICATION
 © COPYRIGHT - By - ALL RIGHTS RESERVED.

| LOC | | DIST | | REVISIONS | | | |
|-----|-----|---------------------------|---------|-----------|------|--|--|
| P | LTR | DESCRIPTION | DATE | DWN | APVD | | |
| CM | 00 | | | | | | |
| | C1 | REVISED PER ECO-11-005027 | 11MAR11 | RK | HMR | | |
| | D | REVISED PERECCR-14-015945 | 26OCT14 | A.Z | D.Z | | |

POSITION 1 IDENTIFICATION FEATURE



- 1 MATERIAL: HOUSING: NYLON 66 GF20, UL94V-0, NATURAL CONTACTS: BRASS, TIN-PLATED
- 2 GLOW WIRE APPROVED, CONTACT TE CONNECTIVITY ENGINEERING FOR SPECIFICATION.



PCB LAYOUT: COMPONENT SIDE
 RECOMMENDED BOARD THICKNESS 1.78 [.070]

| POS | A | B±0.2 [.01] | C±0.35 [.01] | PART NUMBER |
|-----|---------------------|--------------|--------------|-------------|
| 24 | 46.2±0.2 [1.82±.01] | 51.60 [2.03] | 55.60 [2.19] | 2-2029059-4 |
| 22 | 42.0±0.2 [1.65±.01] | 47.40 [1.87] | 51.40 [2.02] | 2-2029059-2 |
| 20 | 37.8±0.2 [1.49±.01] | 43.20 [1.70] | 47.20 [1.86] | 2-2029059-0 |
| 18 | 33.6±0.2 [1.32±.01] | 39.00 [1.54] | 43.00 [1.69] | 1-2029059-8 |
| 16 | 29.4±0.2 [1.16±.01] | 34.80 [1.37] | 38.80 [1.53] | 1-2029059-6 |
| 14 | 25.2±0.2 [.99±.01] | 30.60 [1.21] | 34.60 [1.36] | 1-2029059-4 |
| 12 | 21.0±0.2 [.83±.01] | 26.40 [1.04] | 30.40 [1.20] | 1-2029059-2 |
| 10 | 16.8±0.1 [.66±.00] | 22.20 [.87] | 26.20 [1.03] | 1-2029059-0 |
| 8 | 12.6±0.1 [.50±.00] | 18.00 [.71] | 22.00 [.87] | 2029059-8 |
| 6 | 8.4±0.1 [.33±.00] | 13.80 [.54] | 17.80 [.70] | 2029059-6 |
| 4 | 4.2±0.1 [.17±.00] | 9.60 [.38] | 13.60 [.54] | 2029059-4 |
| 2 | | 5.40 [.21] | 9.40 [.37] | 2029059-2 |

2-2029059-4 SHOWN

THIS DRAWING IS A CONTROLLED DOCUMENT.

| | | | | | |
|----------------------------|---|---------------------------------|-----------------------------|------------------------------|-------------------------|
| DIMENSIONS: mm [INCHES] | TOLERANCES UNLESS OTHERWISE SPECIFIED: 0 PLC ± 1 PLC ± 2 PLC ± 0.5 [.02] 3 PLC ± 4 PLC ± ANGLES ± FINISH | DWN K. WHITAKER 15JAN2008 | CHK C. CASH 15JAN2008 | APVD C. CASH 15JAN2008 | NAME TE Connectivity |
| MATERIAL | | PRODUCT SPEC 108-2112 | | SIZE A2 | |
| FINISH | | APPLICATION SPEC 114-13172 | | CAGE CODE 00779 | |
| CUSTOMER DRAWING | | WEIGHT | | DRAWING NO C=2029059 | |
| | | SCALE N/A | | SHEET 1 OF 1 | |
| | | | | REV D | |