

**MATERIALS AND FINISHES**

**BODY: BRASS**  
 PLATED: GOLD (8 μ-in MIN)  
 OVER NICKEL (80 μ-in MIN)

**CONTACT: BRASS**  
 PLATED: GOLD (30 μ-in MIN)  
 OVER NICKEL (100 μ-in MIN)

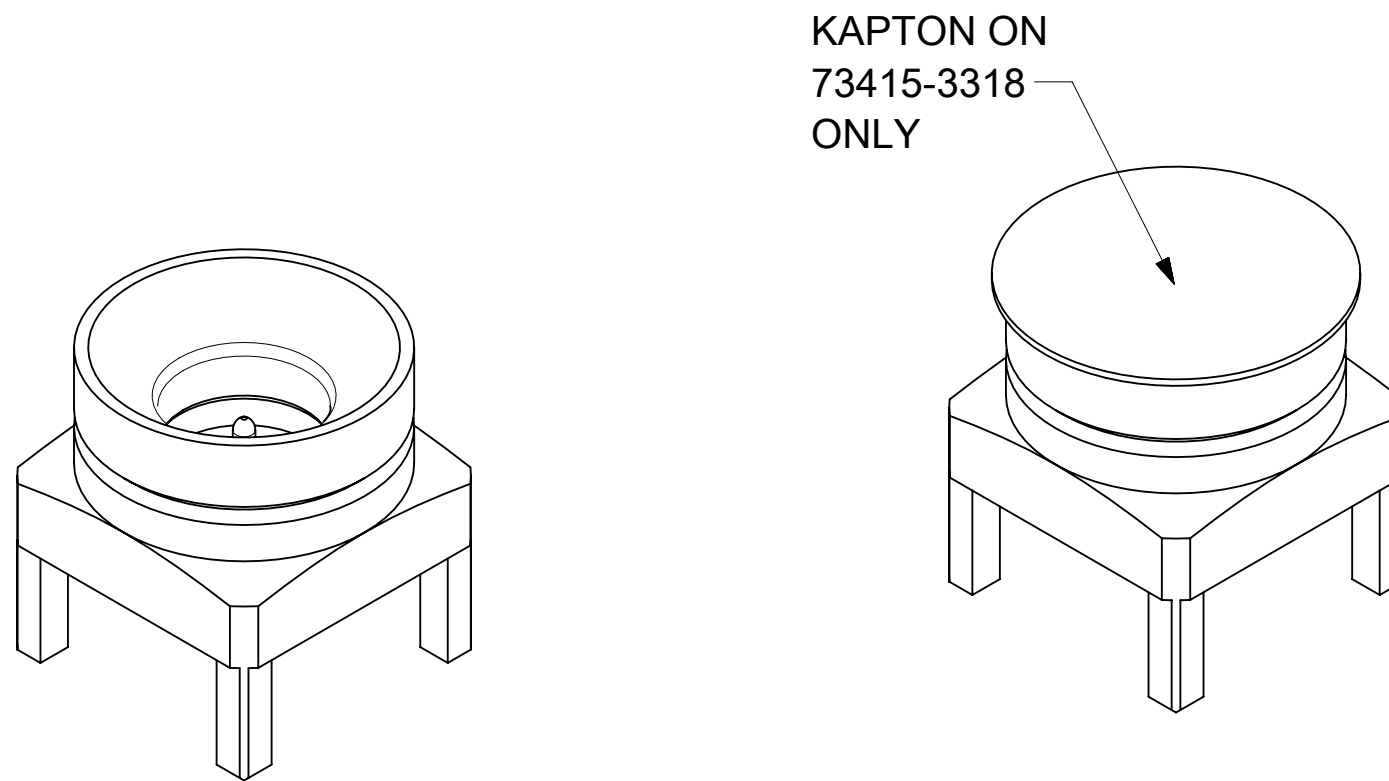
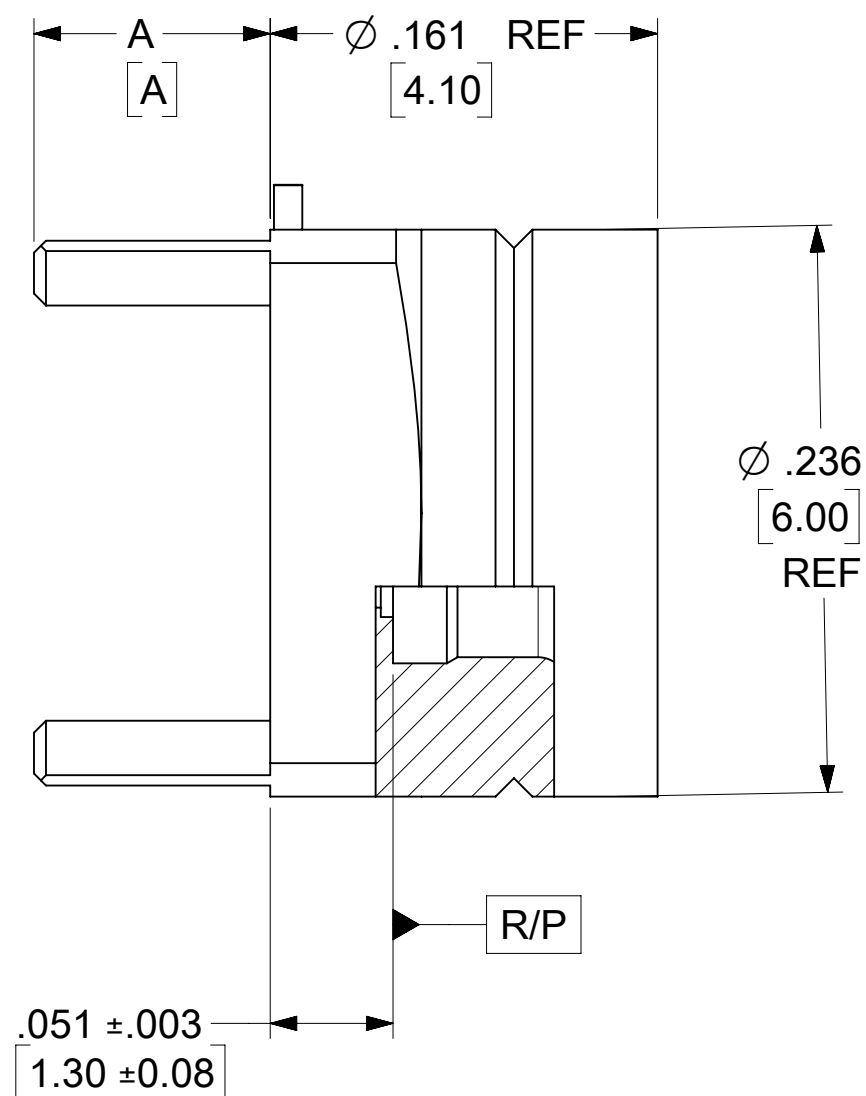
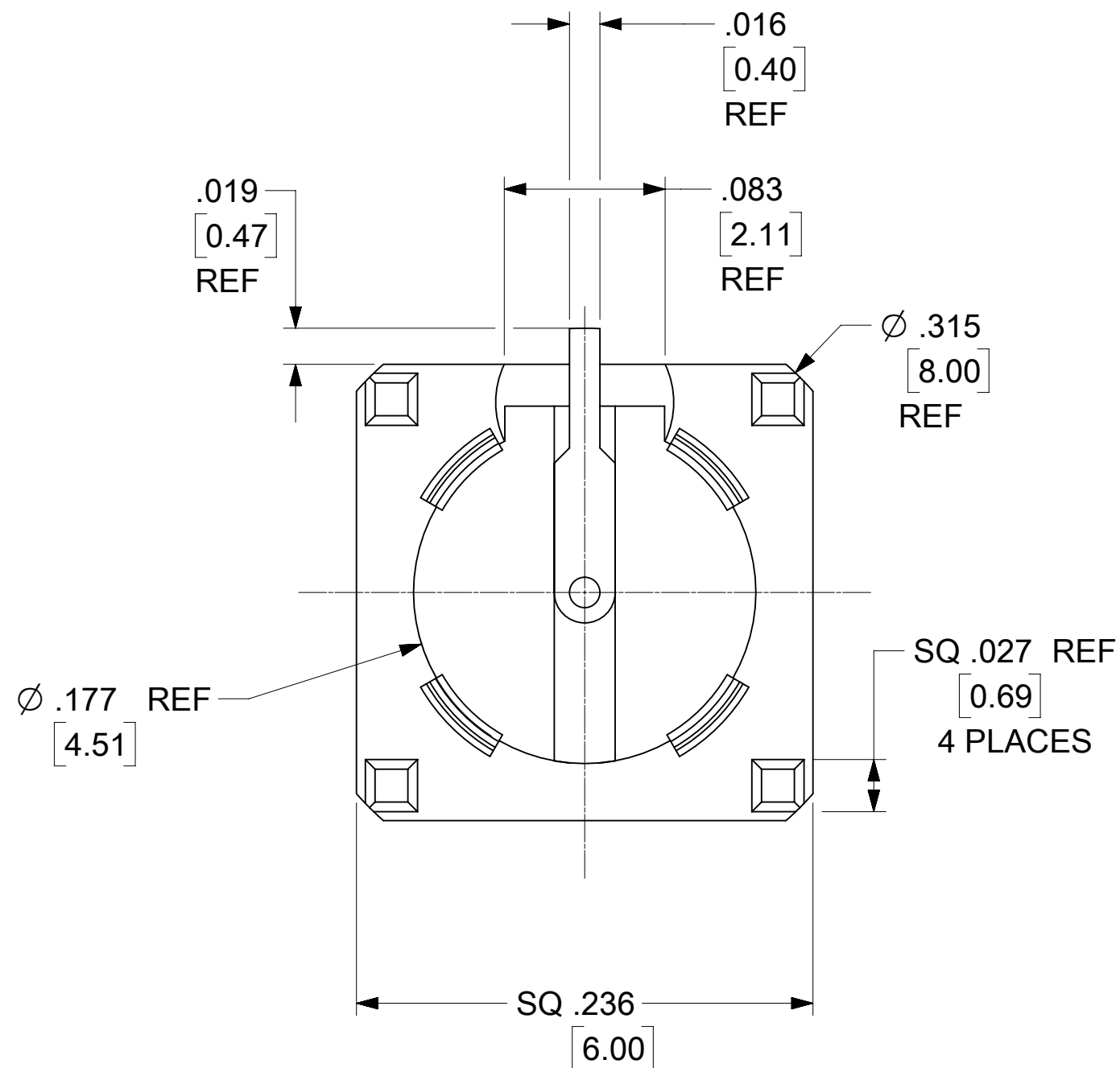
**INSULATOR: PEEK OR LCP**

**KAPTON TAPE DOT: POLYIMIDE FILM**  
 COLOR BLACK (ON -3318 ONLY)

**LABEL FORMAT FOR 73415-3316**  
  
 PART NUMBER: 73415-3311  
 ORDER NUMER: 73415-3316  
 MOLEX  
 DATE: YYWW

**LABEL FORMAT FOR 73415-3317**  
  
 PART NUMBER: 73415-3313  
 ORDER NUMER: 73415-3317  
 MOLEX  
 DATE: YYWW

**LABEL FORMAT FOR 73415-3319**  
  
 PART NUMBER: 73415-3314  
 ORDER NUMER: 73415-3319  
 MOLEX  
 DATE: YYWW



73415-3319	3.43 / .135	ONE PER BAG (73415-3314)	895420470
73415-3318	2.50 / .098	73415-3310 WITH KAPTON (750 PARTS PER REEL)	SEE SHEET 3 & 4
73415-3317	1.70 / .067	ONE PER BAG (73415-3313)	-----
73415-3316	2.50 / .098	ONE PER BAG (73415-3311)	895420510
73415-3315	3.43 / .135	TRAY (73415-3314)	895420040
73415-3314	3.43 / .135	TAPE & REEL (750 PARTS PER REEL)	SEE SHEET 3 & 4
73415-3313	1.70 / .067	TRAY (73415-3312)	-----
73415-3312	1.70 / .067	TAPE & REEL (750 PARTS PER REEL)	SEE SHEET 3 & 4
73415-3311	2.50 / .098	TRAY (73415-3310)	895420040
73415-3310	2.50 / .098	TAPE & REEL (750 PARTS PER REEL)	SEE SHEET 3 & 4
<b>PART NO.</b>	<b>DIM A (MM/IN)</b>	<b>PACKAGING DESCRIPTION</b>	<b>PACKING SPEC</b>

PS-89675-3320	PRODUCT SPECIFICATION
MIL-STD-348, FIG. 326.3	INTERFACE
SPECIFICATION	DESCRIPTION

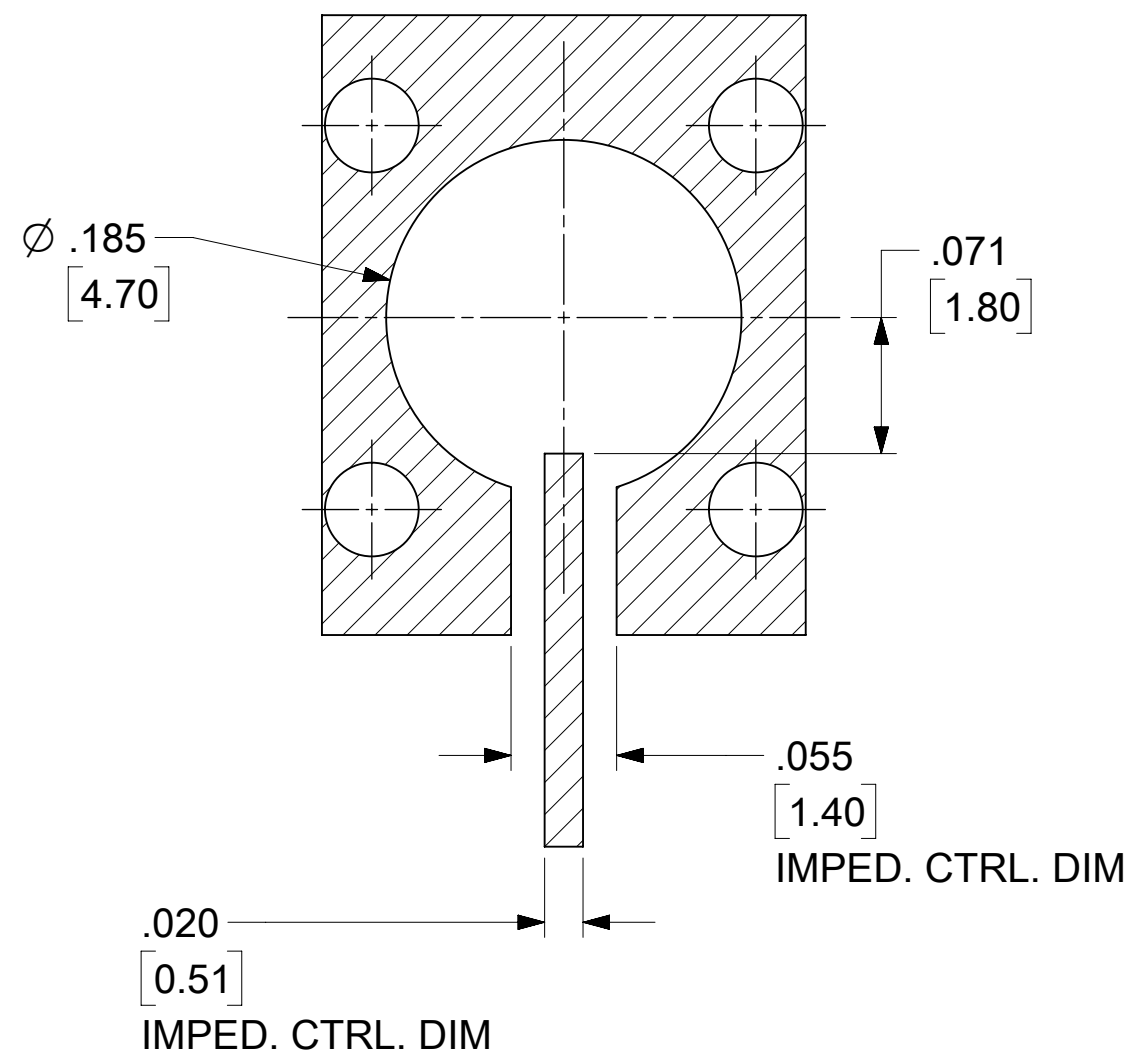
DOCUMENT STATUS	P1	RELEASE DATE	2022/08/25 04:24:38
-----------------	----	--------------	---------------------

FUNCTIONAL SYMBOLS	THIS DRAWING CONTAINS INFORMATION THAT IS PROPRIETARY TO MOLEX ELECTRONIC TECHNOLOGIES, LLC AND SHOULD NOT BE USED WITHOUT WRITTEN PERMISSION		CURRENT REV DESC: ADD P/N 73415-3319 FOR SMALL PACK PER EWR15321-D	
	DIMENSION UNITS	SCALE		
$\frac{F}{A} = 0$	INCH/MM	NTS		
$\frac{F}{C} = 0$	GENERAL TOLERANCES (UNLESS SPECIFIED)			
DIVISIONAL SYMBOLS		MM	INCH	
	$\frac{F}{P} = 0$	4 PLACES	±	±
		3 PLACES	±	± 0.01
		2 PLACES	± 0.25	±
		1 PLACE	±	±
	0 PLACES	±	±	
	ANGULAR TOL	± 2.0 °		
DRAFT WHERE APPLICABLE MUST REMAIN WITHIN DIMENSIONS		THIRD ANGLE PROJECTION	DRAWING	SERIES
			C-SIZE	73415
		EC NO: 718862	DRWN: CWEI02	2022/08/22
		CHK'D: YCHENG	APPR: YCHENG	2022/08/25
		INITIAL REVISION:	DRWN: JMASTRIANO	2005/12/09
		APPR: JWIENER	2005/12/09	
		DOCUMENT NUMBER	DOC TYPE	DOC PART
		SD-73415-331	PSD	001 C12
		MATERIAL NUMBER	CUSTOMER	SHEET NUMBER
		SEE TABLE		1 OF 4

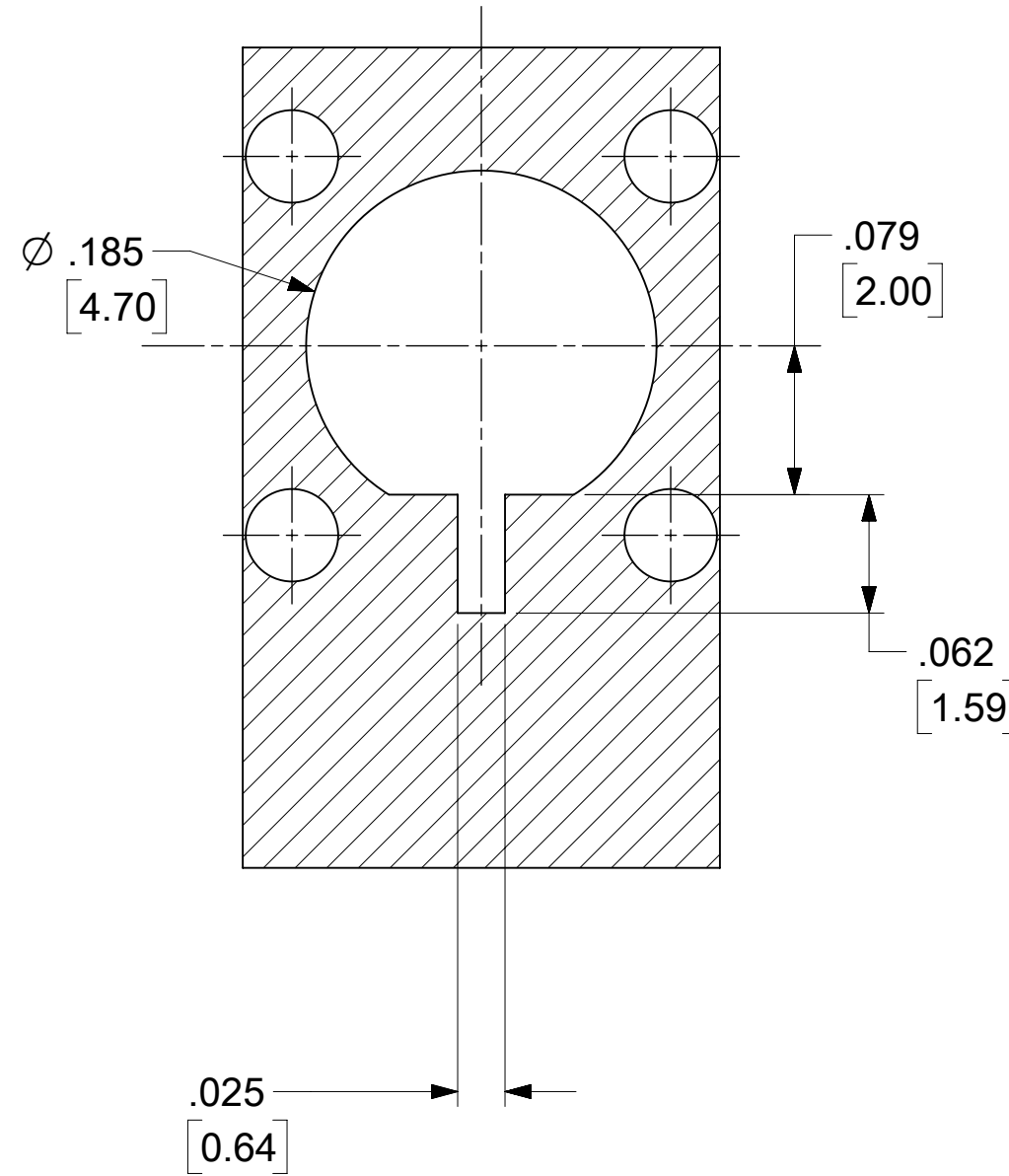
# PCB CONNECTOR LAUNCH / PAD (FOR REFERENCE ONLY)

ALL HATCHED SURFACES SHOWN BELOW ARE COPPER (Cu)

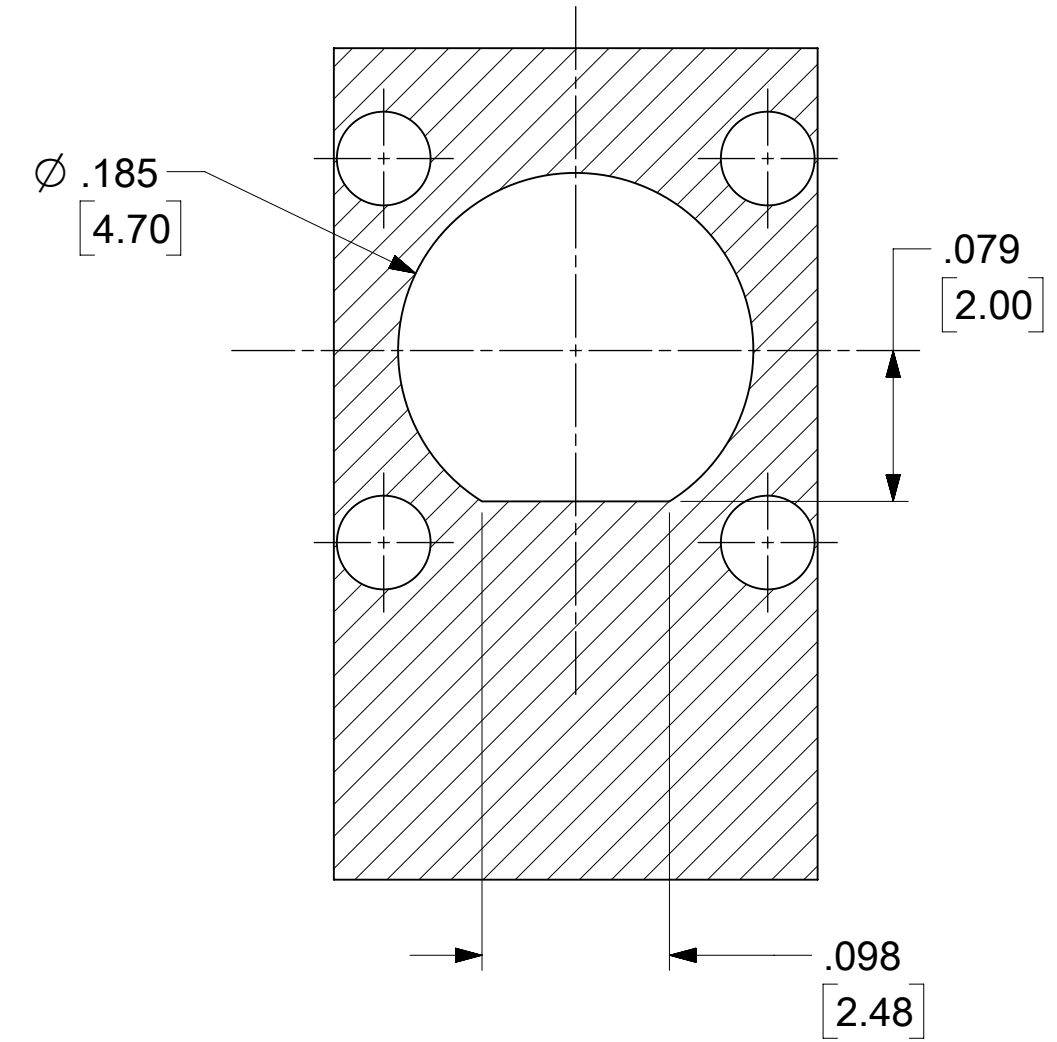
MOUNTING LAYER  
(LAYER 1)



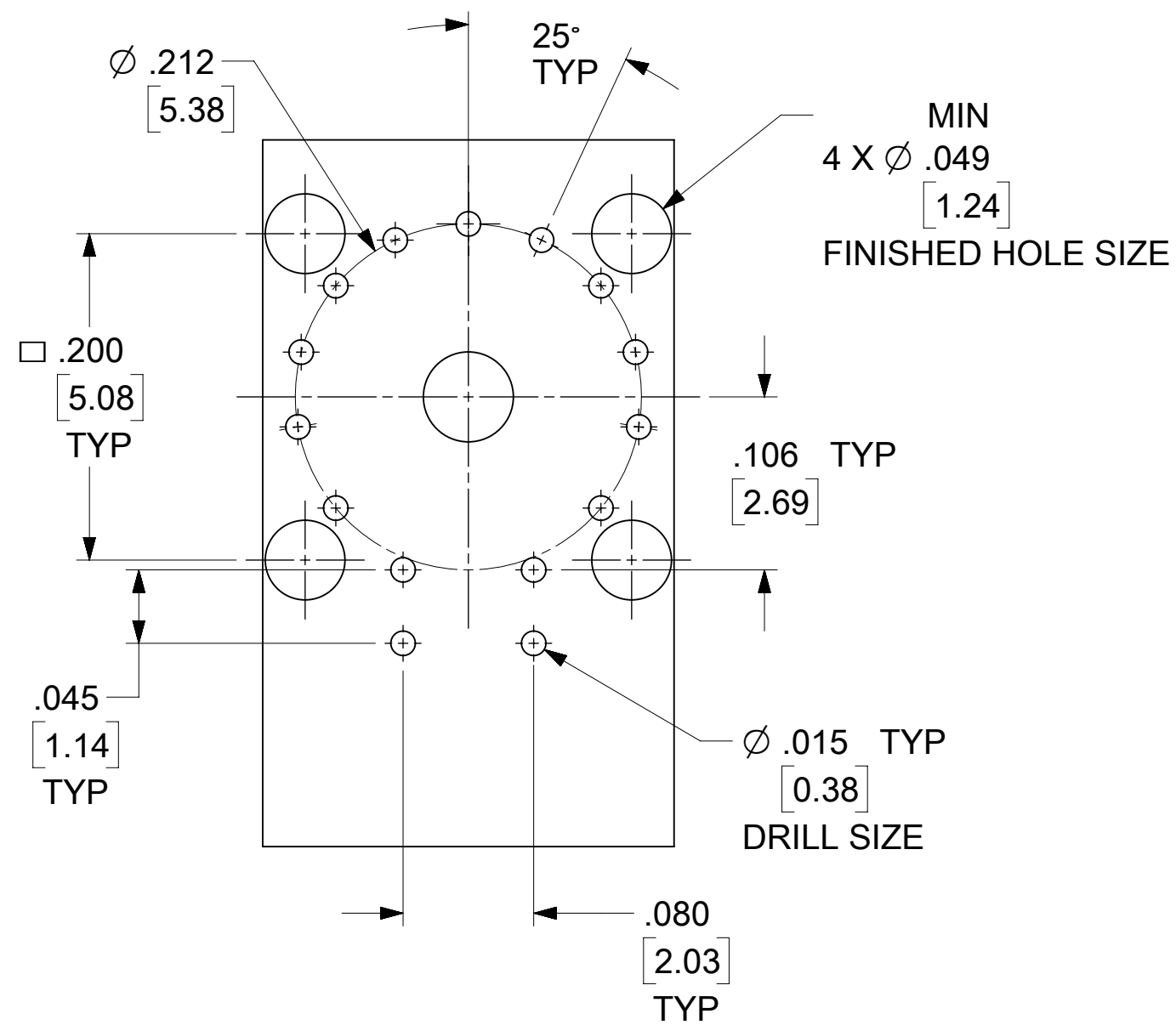
REFERENCE LAYER  
(LAYER 2)



SUBSEQUENT LAYERS  
(LAYER 3 AND SUBSEQUENT)



VIAS AND PLATED MOUNTING HOLES



PCB STACK UP

LAYER	MATERIAL	Dk	THICKNESS (mil)
1	Cu + PLATING		2.1
	RO4350	3.66	10
2	Cu		0.7
	RO4350	3.66	10
3*	Cu		0.7

\* SUBSEQUENT LAYERS MAY BE ADDED AS REQUIRED FOR INDIVIDUAL APPLICATIONS

TYPICAL PERFORMANCE CHARACTERISTICS WITH CONNECTOR AND PCB LAUNCH SHOWN

TYPICAL RETURN LOSS	FREQUENCY BAND
20dB	DC TO 18GHz

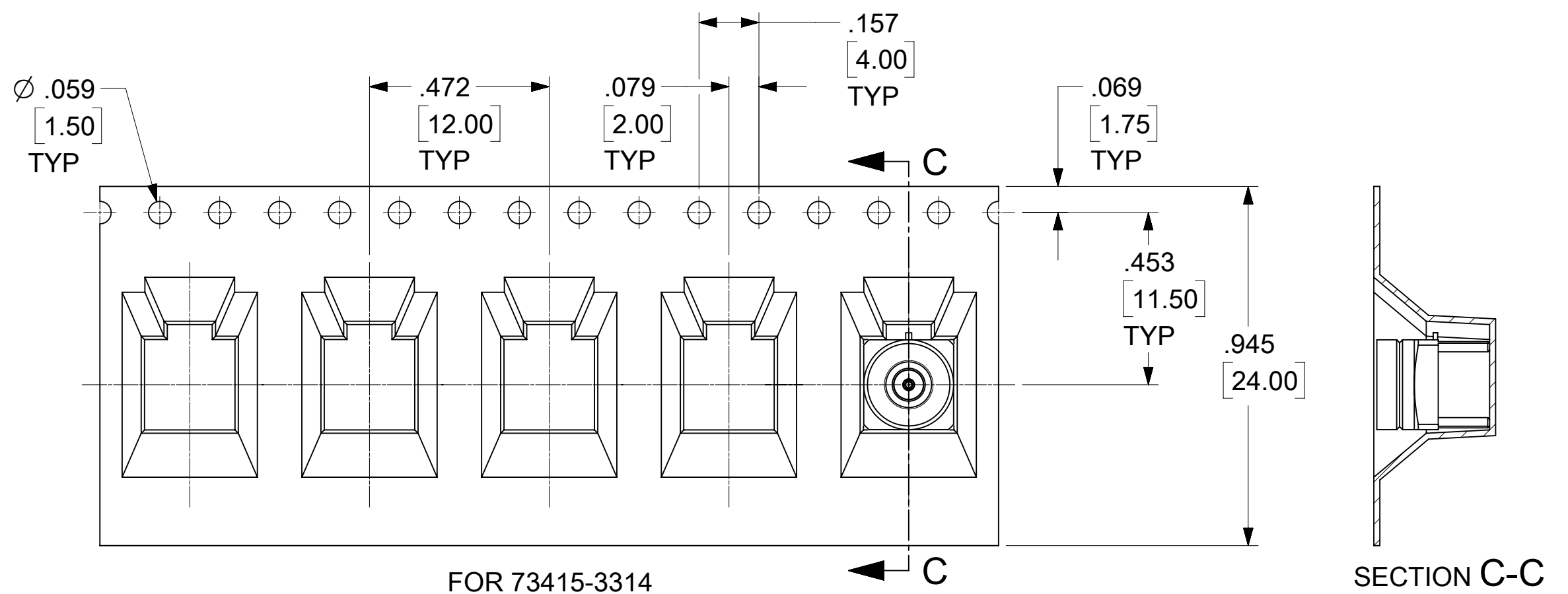
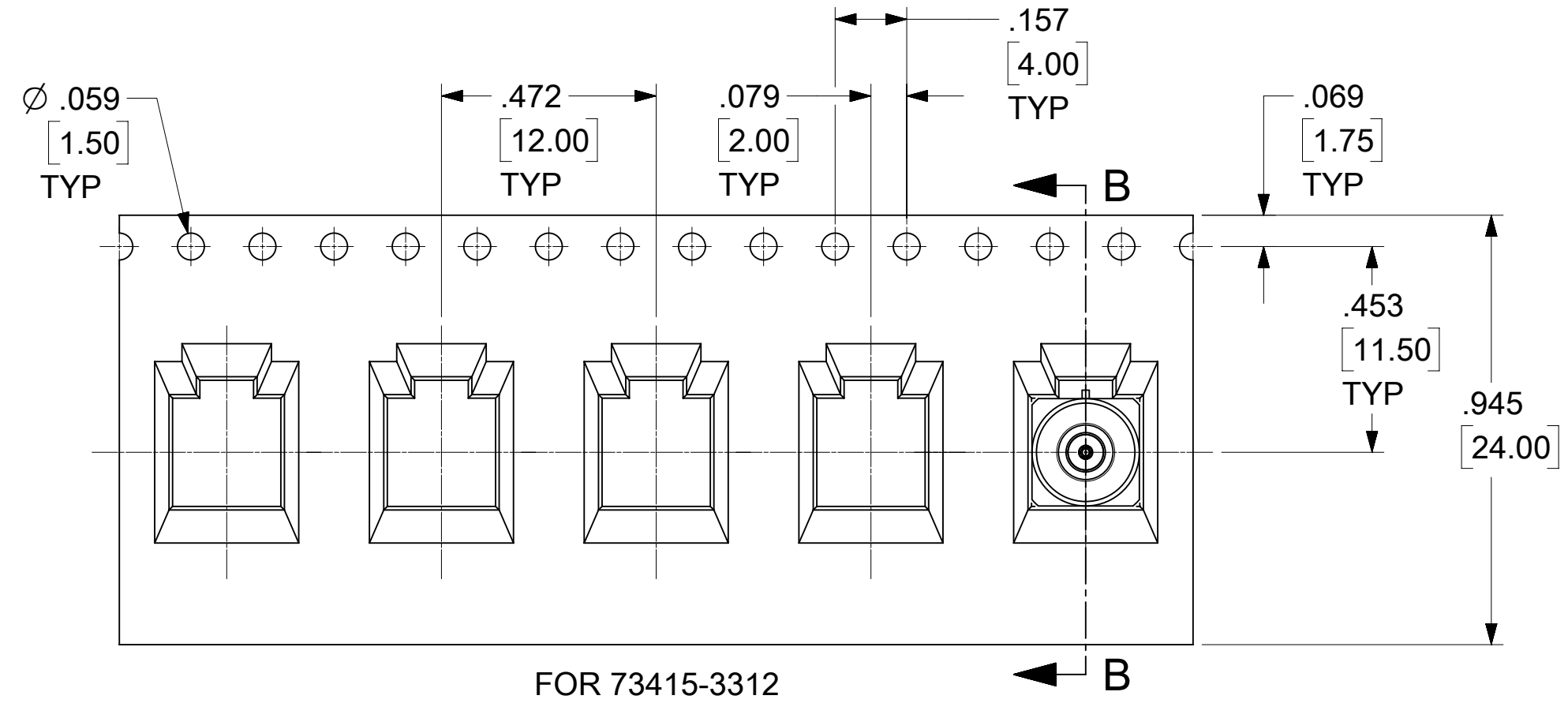
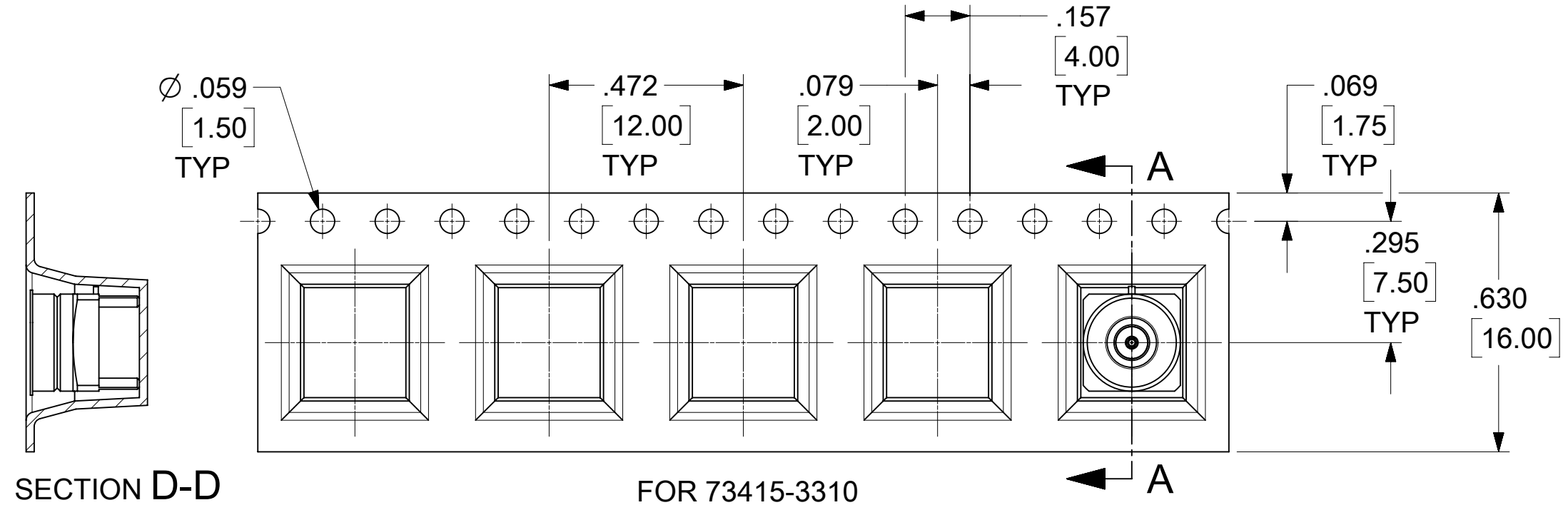
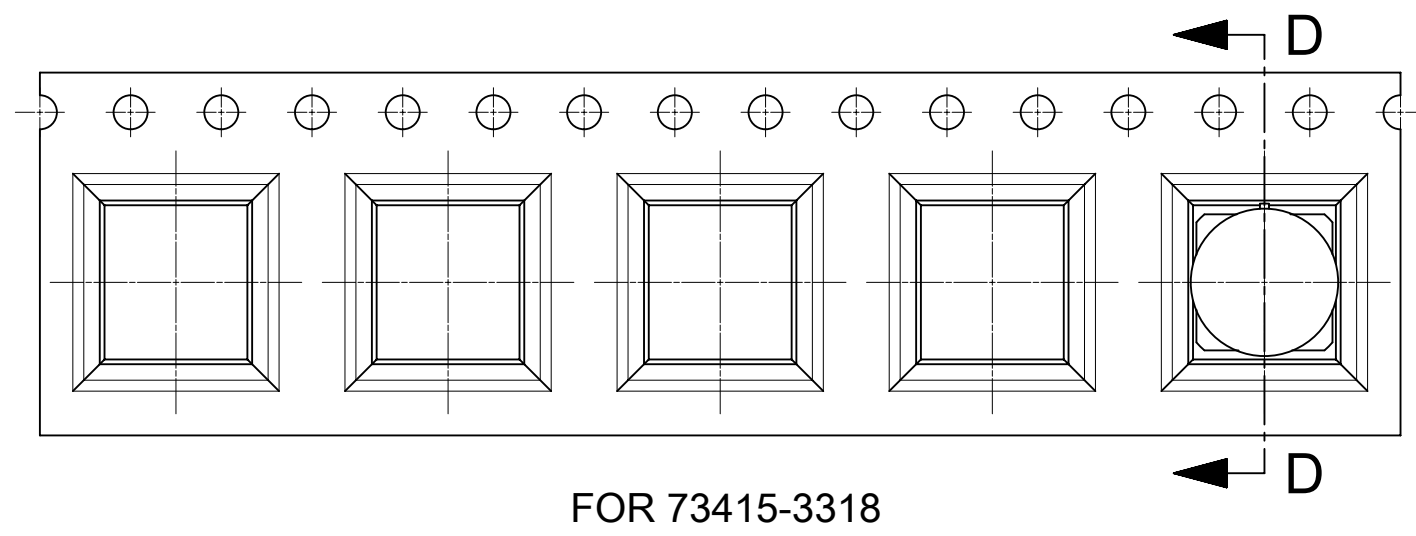
VARYING PCB STACKUPS AND PCB LAUNCH WILL RESULT IN VARYING RESULTS

CONTACT MOLEX RF / MICROWAVE FOR APPLICATION SPECIFIC ASSISTANCE

FUNCTIONAL SYMBOLS	THIS DRAWING CONTAINS INFORMATION THAT IS PROPRIETARY TO MOLEX ELECTRONIC TECHNOLOGIES, LLC AND SHOULD NOT BE USED WITHOUT WRITTEN PERMISSION			
	DIMENSION UNITS	SCALE	CURRENT REV DESC: ADD P/N 73415-3319 FOR SMALL PACK PER EWR15321-D	
$F_A = 0$	INCH/MM	NTS		
$F_C = 0$	GENERAL TOLERANCES (UNLESS SPECIFIED)			
		MM	INCH	
$F_P = 0$	4 PLACES	±	±	
	3 PLACES	±	± 0.01	
DIVISIONAL SYMBOLS	2 PLACES	±	0.25	
	1 PLACE	±	±	
	0 PLACES	±	±	
	ANGULAR TOL	±	2.0 °	
	DRAFT WHERE APPLICABLE MUST REMAIN WITHIN DIMENSIONS			
	THIRD ANGLE PROJECTION			
	DRAWING	SERIES		
	C-SIZE	73415		

EC NO: 718862	2022/08/22				
DRWN: CWEI02	2022/08/25				
CHK'D: YCHENG	2022/08/25				
APPR: YCHENG	2022/08/25	SMP PLUG STRAIGHT PCB LIMITED DETENT, EWR-1359 SMP-P/PCB			
PRODUCT CUSTOMER DRAWING					
INITIAL REVISION:		DOCUMENT NUMBER	DOC TYPE	DOC PART	REVISION
DRWN: JMASTRIANO	2005/12/09	SD-73415-331	PSD	001	C12
APPR: JWIENER	2005/12/09	MATERIAL NUMBER	CUSTOMER	SHEET NUMBER	
				2 OF 4	

NOTE  
 1. 10 PIECES CUMULATIVE TOLERANCE ±0.20[.008]



FUNCTIONAL SYMBOLS	THIS DRAWING CONTAINS INFORMATION THAT IS PROPRIETARY TO MOLEX ELECTRONIC TECHNOLOGIES, LLC AND SHOULD NOT BE USED WITHOUT WRITTEN PERMISSION										
	DIMENSION UNITS		SCALE		CURRENT REV DESC: ADD P/N 73415-3319 FOR SMALL PACK PER EWR15321-D						
$\frac{F}{A} = 0$	INCH/MM		NTS		EC NO: 718862 DRWN: CWEI02 2022/08/22 CHK'D: YCHENG 2022/08/25 APPR: YCHENG 2022/08/25						
$\frac{F}{C} = 0$	GENERAL TOLERANCES (UNLESS SPECIFIED)										
$\frac{F}{P} = 0$	4 PLACES ±		MM INCH		INITIAL REVISION: DRWN: JMASTRIANO 2005/12/09 APPR: JWIENER 2005/12/09						
DIVISIONAL SYMBOLS		3 PLACES ±		± 0.01							
		2 PLACES ±		0.25 ±		DOCUMENT NUMBER				DOC TYPE DOC PART REVISION	
		1 PLACE ±		±		SD-73415-331				PSD 001 C12	
		0 PLACES ±		±		MATERIAL NUMBER		CUSTOMER		SHEET NUMBER	
		ANGULAR TOL ± 2.0 °		THIRD ANGLE PROJECTION		DRAWING		SERIES		SEE TABLE	
		DRAFT WHERE APPLICABLE MUST REMAIN WITHIN DIMENSIONS				C-SIZE		73415		3 OF 4	

**molex**

SMP PLUG STRAIGHT PCB  
 LIMITED DETENT, EWR-1359 SMP-P/PCB

PRODUCT CUSTOMER DRAWING

LABEL:  
 -ORDER NUMBER  
 -QUANTITY  
 -PART NUMBER  
 -LOT NUMBER

75 EMPTY UNITS  
 MINIMUM

ORDER QUANTITY  
 PACKED WITH 750  
 PARTS

40 EMPTY UNITS  
 MINIMUM

5.842  
 5.84  
 MIN

Ø 12.993  
 330.02

HANDLING DIRECTION →

FOR 73415-3310  
 73415-3312  
 73415-3314  
 73415-3318

DETAIL E  
 SCALE 2:1

FOR 73415-3310

DETAIL F  
 SCALE 2:1

FOR 73415-3312

DETAIL G  
 SCALE 2:1

FOR 73415-3314

DETAIL H  
 SCALE 2:1

FOR 73415-3318

FUNCTIONAL SYMBOLS $\frac{F}{A} = 0$ $\frac{F}{C} = 0$ $\frac{F}{P} = 0$	THIS DRAWING CONTAINS INFORMATION THAT IS PROPRIETARY TO MOLEX ELECTRONIC TECHNOLOGIES, LLC AND SHOULD NOT BE USED WITHOUT WRITTEN PERMISSION			
	DIMENSION UNITS		SCALE	
	INCH/MM		NTS	
	GENERAL TOLERANCES (UNLESS SPECIFIED)			
DIVISIONAL SYMBOLS	4 PLACES	±	±	CURRENT REV DESC: ADD P/N 73415-3319 FOR SMALL PACK PER EWR15321-D  EC NO: 718862 DRWN: CWEI02 2022/08/22 CHK'D: YCHENG 2022/08/25 APPR: YCHENG 2022/08/25  INITIAL REVISION: DRWN: JMASTRIANO 2005/12/09 APPR: JWIENER 2005/12/09
	3 PLACES	±	± 0.01	
	2 PLACES	±	± 0.25	
	1 PLACE	±	±	
	0 PLACES	±	±	
ANGULAR TOL		± 2.0 °		
DRAFT WHERE APPLICABLE MUST REMAIN WITHIN DIMENSIONS		THIRD ANGLE PROJECTION	DRAWING	SERIES
			C-SIZE	73415

**molex**

SMP PLUG STRAIGHT PCB  
 LIMITED DETENT, EWR-1359 SMP-P/PCB

PRODUCT CUSTOMER DRAWING

DOCUMENT NUMBER  
**SD-73415-331**

DOC TYPE  
**PSD**  
 DOC PART  
**001**  
 REVISION  
**C12**

MATERIAL NUMBER  
 SEE TABLE  
 CUSTOMER  
 SHEET NUMBER  
**4 OF 4**

DOCUMENT STATUS P1 RELEASE DATE 2022/08/25 04:24:38