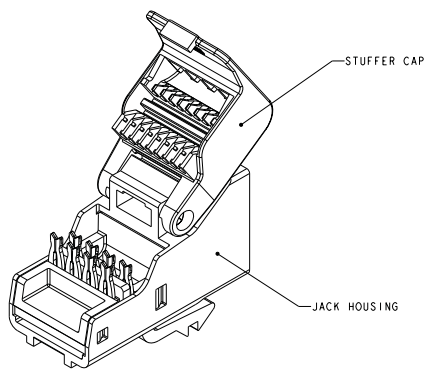
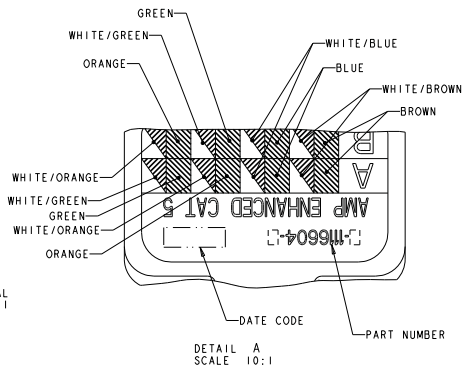
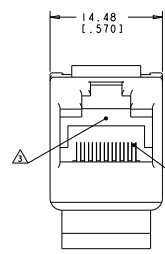
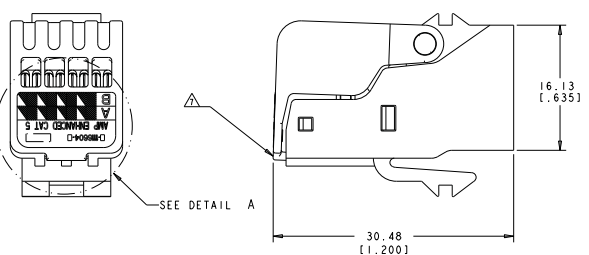


REV	DATE	DESCRIPTION	BY	CHKD	APPD
F1		REVISED PER ECO-11-005027			



OPEN POSITION



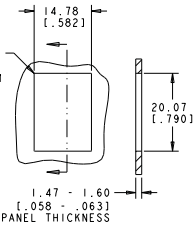
- △ MATERIAL: JACK HOUSING - POLYPHENYLENE OXIDE, 94V-0 RATED. TERMINAL BLOCK - POLYPHENYLENE OXIDE, 94V-0 RATED. STUFFER CAP - POLYCARBONATE, CLEAR, 94V-0 RATED. JACK CONTACTS - PHOSPHOROUS BRONZE, PLATED WITH 1.27um (.000050) MINIMUM THICK GOLD IN LOCALIZED AREA AND 3.81um (.000150) MINIMUM THICK MATTE TIN IN SOLDER AREA OVER 1.27um (.000050) MINIMUM THICK NICKEL UNDERPLATE.
- 2. TOOLLESS WILL TERMINATE 22-24 AWG SOLID CONDUCTORS AND 24 AWG STRANDED CONDUCTORS, 1.14 (.045) MAXIMUM INSULATION DIAMETER.
- △ CAVITY CONFORMS TO FCC RULES AND REGULATIONS) PART 68 SUBPART F REQUIREMENTS.
- 4. MOUNTING PANEL THICKNESS 1.473 - 1.600 (.058 - .063).
- △ THESE TWO SUGGESTED CUTOUT OPENINGS ARE USED IN TANDEM WITH DUAL FRONT AND BACK CUTOUTS.
- △ ONE MODULAR JACK ASSEMBLY PER POLYBAG.
- △ ASSEMBLY SHIPPED WITH STUFFER CAP NOT LATCHED AT REAR OF HOUSING AS SHOWN.

COLOR CODE	IDC TERMINAL	MODULAR JACK	
WHITE/BLUE	5		
BLUE	4		
WHITE/ORANGE	3		
ORANGE	2		
WHITE/GREEN	1		
GREEN	2		
WHITE/BROWN	7		
BROWN	8		

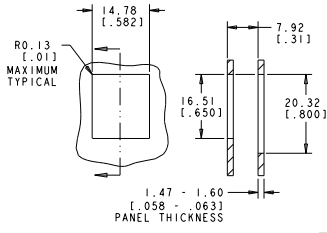
ELECTRICAL SCHEMATIC T568A

COLOR CODE	IDC TERMINAL	MODULAR JACK	
WHITE/BLUE	5		
BLUE	4		
WHITE/ORANGE	1		
ORANGE	2		
WHITE/GREEN	3		
GREEN	6		
WHITE/BROWN	7		
BROWN	8		

ELECTRICAL SCHEMATIC T568B



SINGLE PANEL CUTOUT



SUGGESTED FLUSH MOUNT PANEL APPLICATION CUTOUT

PACKAGE	HOUSING COLOR	PART NUMBER
	ELECTRIC IVORY	1-116604-1
	VIOLET	1-116604-0
	GREEN	116604-9
	YELLOW	116604-8
	RED	116604-7
	BLUE	116604-6
	ORANGE	116604-5
	NEVA GRAY	116604-4
	WHITE	116604-3
	BLACK	116604-2
	LIGHT ALMOND	116604-1

THIS DRAWING IS A CONTROLLED DOCUMENT.

REV	DATE	BY	CHKD
00			

DATE CODE (DRAWING NO) 00779

CUSTOMER DRAWING

ASSEMBLY, TOOLLESS, CAT 5c, UNIVERSAL RJ45

TE Connectivity