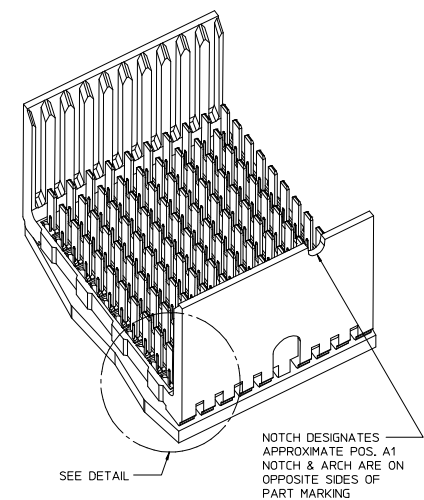
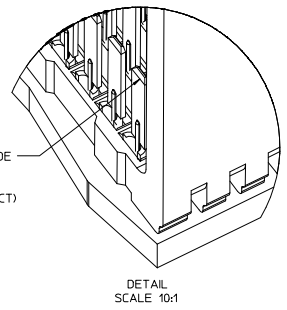


LEAD-FREE PLATING ON SIGNALS

75854-\*\*\*0\*

COLUMN	PIN LENGTH DIM "M"
01-10	3 - 3.55 mm (30μ Au)
02-25	4 - 4.55 mm (30μ Au)
05- 5	5 - 5.55 mm (30μ Au)
	7 - 3.55 mm (50μ Au)
	8 - 4.55 mm (50μ Au)
	9 - 5.55 mm (50μ Au)

KEYING POSITION NONE = 0



- NOTES:
- MATERIAL: HOUSING - LIQUID CRYSTAL POLYMER (LCP) GLASS-FILLED. UL 94V-0. COLOR - GRAY. SIGNAL CONTACT - HIGH PERFORMANCE COPPER ALLOY.
  - FINISHES: SELECTIVE GOLD (Au) ON CONTACT AREA, SELECTIVE MATTE TIN (Sn) ON PCB TAILS, NICKEL (Ni) OVERALL.
  - THIS PART CONFORMS TO MOLEX PRODUCT SPECIFICATION PS-75221-999.
  - FOR MIXED CONTACT MATING LENGTHS CONSULT MOLEX FOR AVAILABILITY.
  - 10 COLUMN 4 PAIR L-SERIES SHOWN FOR ILLUSTRATION PURPOSES ONLY. FOR SPECIFIC PART NUMBER AND MATING INFORMATION PLEASE REFER TO CHART.
  - PACKAGE PER PK-70873-563.
  - EITHER MARK PART NUMBER AND DATE CODE APPROXIMATELY WHERE SHOWN OR PLACE A LABEL ON THE TUBE.

PART NUMBER TABLE

ASSY PART NO.	K	L	P	TOTAL NO. OF CONTACTS
75854-010*	9	16.65	18.35	110
75854-020*	24	44.40	46.10	275
75854-050*	4	7.40	9.10	55

INITIAL RELEASE EC NO: UCP2006-1508 DRWN: JINGHAM 2006/01/10 CHKD: 2006/01/10 APPR: CBIXLER 2006/01/10	QUALITY SYMBOLS 0 0	GENERAL TOLERANCES (UNLESS SPECIFIED) 4 PLACES ±--- ±--- 3 PLACES ±--- ±--- 2 PLACES ±--- ±--- 1 PLACE ±--- ±--- ANGULAR ±---°	SCALE 5:1 DESIGN UNITS METRIC DIMENSION STYLE MM ONLY	THIRD ANGLE PROJECTION REVISE ON CAD ONLY
		DRAFT WHERE APPLICABLE MUST REMAIN WITHIN DIMENSIONS	DRAWN BY DATE JINGHAM 2006/01/04 CHECKED BY DATE KMULVEY 2006/01/04	TITLE GBX 4-PAIR L-SERIES OPEN END BACKPLANE SALES ASSEMBLY DRAWING
		APPROVED BY DATE SREED 2006/01/04	MATERIAL NO. DOCUMENT NO. SEE CHART SD-75854-010	MOLEX MOLEX INCORPORATED
		THIS DRAWING CONTAINS INFORMATION THAT IS PROPRIETARY TO MOLEX INCORPORATED AND SHOULD NOT BE USED WITHOUT WRITTEN PERMISSION	SHEET NO. 1 OF 1	SHEET NO. 1 OF 1