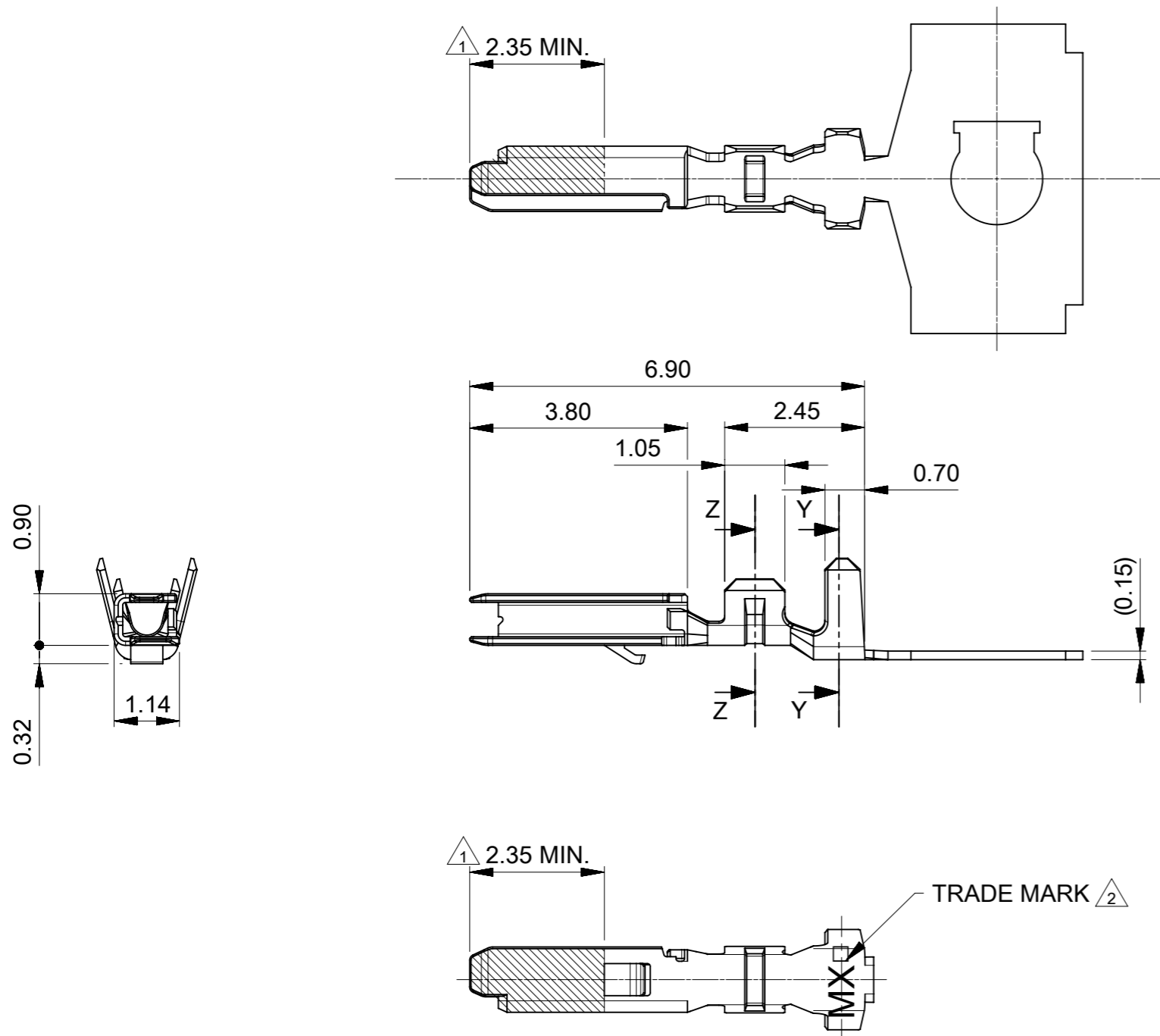


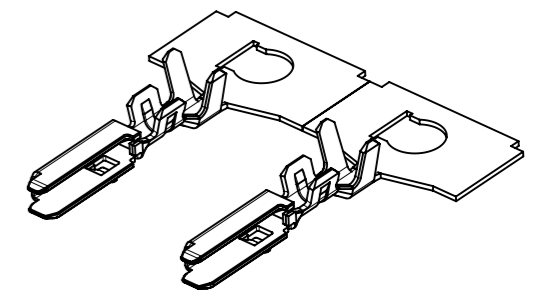
NOTES

- ① 図示の斜線部の範囲は、接点部のため傷、打痕、汚れなどをつけないようにしてください
PLEASE DON'T DAMAGE, DON'T DENT, AND DON'T MAKE IT DIRTY, BECAUSE THE RANGE IN THE HATCHING AREA SHOWN IN FIGURE IS THE CONTACT AREA.
- ② トレードマーク：MXプラス1文字の製造工場を示すアルファベットにて表示。ただし"J"はJAPANを示す。(例：MXJ)
- 3. 適用電線違い：502579シリーズ（ケーブルサイズ：AWG #24-28）
SIMILAR PRODUCT THAT DIFFERENCE IS APPLICABLE CABLE SIZE: 502579 SERIES (CABLE SIZE: AWG #24-28)



SECTION Y-Y

SECTION Z-Z



部品 PART	材質 MATERIAL
ターミナル TERMINAL	銅合金 COPPER ALLOY
	錫めっき：0.4 micro-meters MIN リフロー処理(前めっき) MATTE TIN REFLOW TREATMENT (PRE-PLATING)
	ニッケルめっき(下地)：0.1 micro-meters MIN NICKEL PLATING (UNDER PLATING)

∅0.7-1.02mm	AWG #26-30	503429 0000	連鎖状 CHAIN
絶縁被覆外形範囲 INS RANGE	適用電線範囲 WIRE RANGE	オーダー番号 ORDER NO	端子形状 FORM

THIS DRAWING CONTAINS INFORMATION THAT IS PROPRIETARY TO MOLEX ELECTRONIC TECHNOLOGIES, LLC AND SHOULD NOT BE USED WITHOUT WRITTEN PERMISSION		CURRENT REV DESC:		molex		
DIMENSION UNITS mm	SCALE NTS	EC NO: 632623				
GENERAL TOLERANCES (UNLESS SPECIFIED)		DRWN: MIKEDA01 2019/04/11		PRODUCT CUSTOMER DRAWING		
ANGULAR TOL ± 3.0°		CHK'D: SAKIYAMA 2020/02/28		DOCUMENT NUMBER		
4 PLACES ± 0.2		APPR: KOMURAKAMI 2020/03/03		5034290000-SD		DOC TYPE PSD
3 PLACES ± 0.2		INITIAL REVISION:		DOC PART 000		REVISION A
2 PLACES ± 0.2		DRWN: MIKEDA01 2019/04/11		SHEET NUMBER		
1 PLACE ± 0.2		APPR: KOMURAKAMI 2020/03/03		1 OF 2		
0 PLACES ± 0.2		THIRD ANGLE PROJECTION	DRAWING A3-SIZE	SERIES 503429	MATERIAL NUMBER 5034290000	CUSTOMER GENERAL
DRAFT WHERE APPLICABLE MUST REMAIN WITHIN DIMENSIONS		① ②				

適用製品及び各種仕様書

APPLICABLE PRODUCTS AND VARIOUS SPECIFICATIONS

梱包仕様書 PACKING SPECIFICATION	PART NUMBER 503429 **00	SPECIFICATION NUMBER SPK-503429-001
--------------------------------	----------------------------	--

適用ハウジング APPLICABLE HOUSING	SINGLE TYPE				
シリーズ番号 SERIES No	502578				
適用嵌合相手 MATE WITH	SMT		THROUGH HOLE		BOTTOM ENTRY
	TIN PLATING		TIN PLATING		TIN PLATING
	VERTICAL	RIGHT ANGLE	VERTICAL	RIGHT ANGLE	VERTICAL
シリーズ番号 SERIES No	502584	502585	503159	503175	503395
製品仕様書 PRODUCT SPECIFICATION	5025780000-PS		5025780002-PS		5025780003-PS
取扱説明書 APPLICATION SPECIFICATION	AS-502578-001				AS-503395-001

適用ハウジング APPLICABLE HOUSING	DUAL TYPE	
シリーズ番号 SERIES No	503149	
適用嵌合相手 MATE WITH	SMT	
	TIN PLATING	
	VERTICAL	RIGHT ANGLE
シリーズ番号 SERIES No	503154	503148
製品仕様書 PRODUCT SPECIFICATION	5031490000-PS	5031490001-PS
取扱説明書 APPLICATION SPECIFICATION	AS-503149-001	

THIS DRAWING CONTAINS INFORMATION THAT IS PROPRIETARY TO MOLEX ELECTRONIC TECHNOLOGIES, LLC AND SHOULD NOT BE USED WITHOUT WRITTEN PERMISSION									
DIMENSION UNITS	SCALE	CURRENT REV DESC:				molex			
mm	NTS					CLIK-MATE 1.5 CRIMP TERMINAL TIN PLATING AWG26-30			
GENERAL TOLERANCES (UNLESS SPECIFIED)		EC NO: 632623				DOCUMENT NUMBER			
ANGULAR TOL ± 3.0°		DRWN: MIKEDA01 2019/04/11							
4 PLACES ± 0.2		CHK'D: SAKIYAMA 2020/02/28				DOC TYPE DOC PART REVISION			
3 PLACES ± 0.2		APPR: KOMURAKAMI 2020/03/03							
2 PLACES ± 0.2		INITIAL REVISION:				5034290000-SD			
1 PLACE ± 0.2		DRWN: MIKEDA01 2019/04/11							
0 PLACES ± 0.2		APPR: KOMURAKAMI 2020/03/03				PSD 000 A			
DRAFT WHERE APPLICABLE MUST REMAIN WITHIN DIMENSIONS		THIRD ANGLE PROJECTION	DRAWING	SERIES	MATERIAL NUMBER	CUSTOMER		SHEET NUMBER	
			A3-SIZE	503429	5034290000	GENERAL		2 OF 2	