

SCNRJ - 88SGNSNN - 482A SO RTH

SUNTSU | **RJ45**
CONNECTOR

CONTACTS
 8 : 8

MAGENETIC
 N : None

EMI Finger
 N : None

OPERATING TEMP
 48 : -40~85°C

CONTACT TERMINIATION
 SO : SOLDER

POSITIONS
 8 : 8

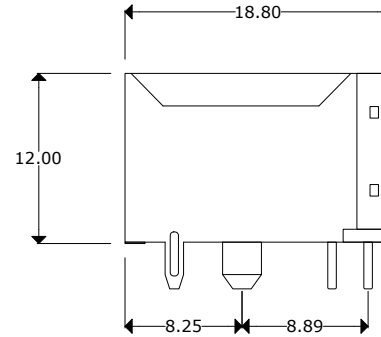
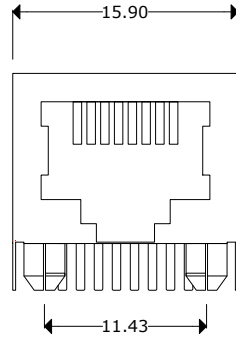
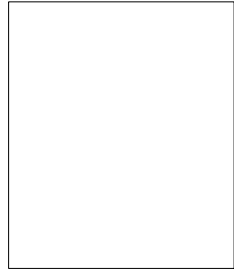
CONTACT PLATING
 SG : Selective Gold Plating

SHIELD
 S : With

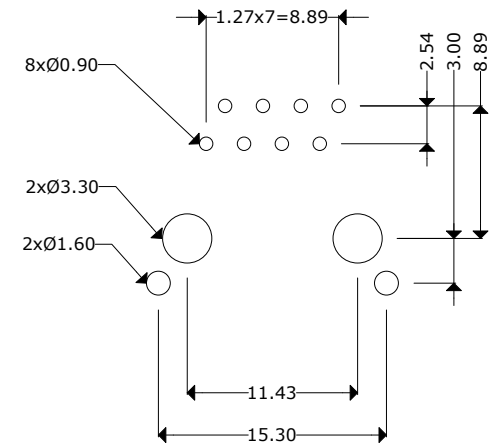
LED COLOR
 N : None

HEIGHT
 2A : 12mm

MOUNTING STYLE
 RTH : Right Angle Through Hole



PC Board Layout



Electrical Parameters

Voltage Rating: 125V
 Current Rating: 1.5A
 Contact Resistance: 30mΩ Max
 Insulation Resistance: 500MΩ/min.
 Dielectric Withstanding Voltage: 1000V

Materials

Housing: Glass Fiber, PBT UL94V-0, Black
 Contact: Tin plated over Nickel
 Conductor: 0.35mm thickness phosphor bronze
 Plating: Gold plated over nickel

Remarks:
 Operating Life: 750 Cycles MIN.



RJ45 JACK SHIELDED SIDE ENTRY

Document History				Part No.	Drawn
Edits Made	Date	Edited By	Approved By	SCNRJ-88SGNSNN-482ASORTH	B. Gibbons 10/25/2021
Initial Release	10/25/2021	B. Gibbons	KH Mun	Scale	Tolerance
				Unit	Unless otherwise stated, tolerances are .xx±0.25
				mm	Pages
					1/1