

## SUMMARY

### # Wires

Low voltage 2



*Image is for illustrative purpose only*

Series 2P  
Termination type Female solder  
IP rating 66 mated (mating interface)  
AWG wire size 22.00 - 14.00  
Cable Ø 5.30 - 7.20 mm  
Status active  
Matching parts [CFB.M02.GLA.C72GZ](#)

### Download

[Request a quote](#)

[Catalog](#)

## TECHNICAL DETAILS

### Mechanics

Shell Style/Model CS\*: Free receptacle with cable collet, watertight (IP 66) and nut for fitting a bend relief  
Keying 3 keys (alpha=0, gamma=60; Plug: male contacts; Receptacle: female contacts)  
Housing Material PSU (Polysulfone), gray  
Weight 10.94 g

### Performance

Configuration 2P.M02 : 2 Low V.  
Insulator L: PEEK for solder contacts  
Rated Current 30 Amps

### Specifications

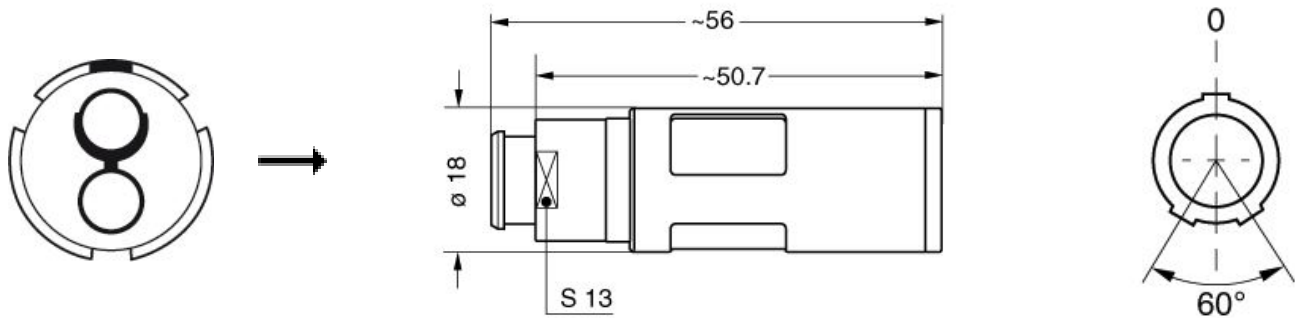
Contact Type: Solder  
Contact Dia.: 2.0 mm (0.078in)  
Bucket Dia.: 1.8 mm (0.070in)  
Test voltage (kV rms) Contact-contact: 2.1  
Air clearance min.: 1.6 mm  
Creepage distance min.: 1.6 mm

### Others

*LEMO products and services are provided "as is". LEMO makes no warranties or representations with regard to LEMO product & services or use of them, express, implied or statutory, including for accuracy, completeness, or security. The user is fully responsible for his products and applications using LEMO components.*

Endurance (Shell): >1000 mating cycles  
 Temp (min / max): -50°C / +150°C  
 F ret (min): 150 N  
 F ret (max): 250 N  
 Steam sterilization: 20 times

## DRAWINGS



### Dimensions

	A	L
mm.	18	56
in.	0,71	2,20






## RECOMMENDED BY LEMO

### Tools

### Cables

CMN.02.T14.072PGZE		Grey	
CMN.02.T14.072PNZE		Black	
CMN.02.T14.072QGZE	TPR (medical)	Grey	

LEMO products and services are provided "as is". LEMO makes no warranties or representations with regard to LEMO product & services or use of them, express, implied or statutory, including for accuracy, completeness, or security. The user is fully responsible for his products and applications using LEMO components.

CMN.02.T18.064UNCU			
102080	PVC	Grey	
120184	PVC	Black	
120500	PVC	Grey	
120751	PVC	Grey	
220151	PVC	Grey	
220750	PVC	Grey	

*LEMO products and services are provided "as is". LEMO makes no warranties or representations with regard to LEMO product & services or use of them, express, implied or statutory, including for accuracy, completeness, or security. The user is fully responsible for his products and applications using LEMO components.*