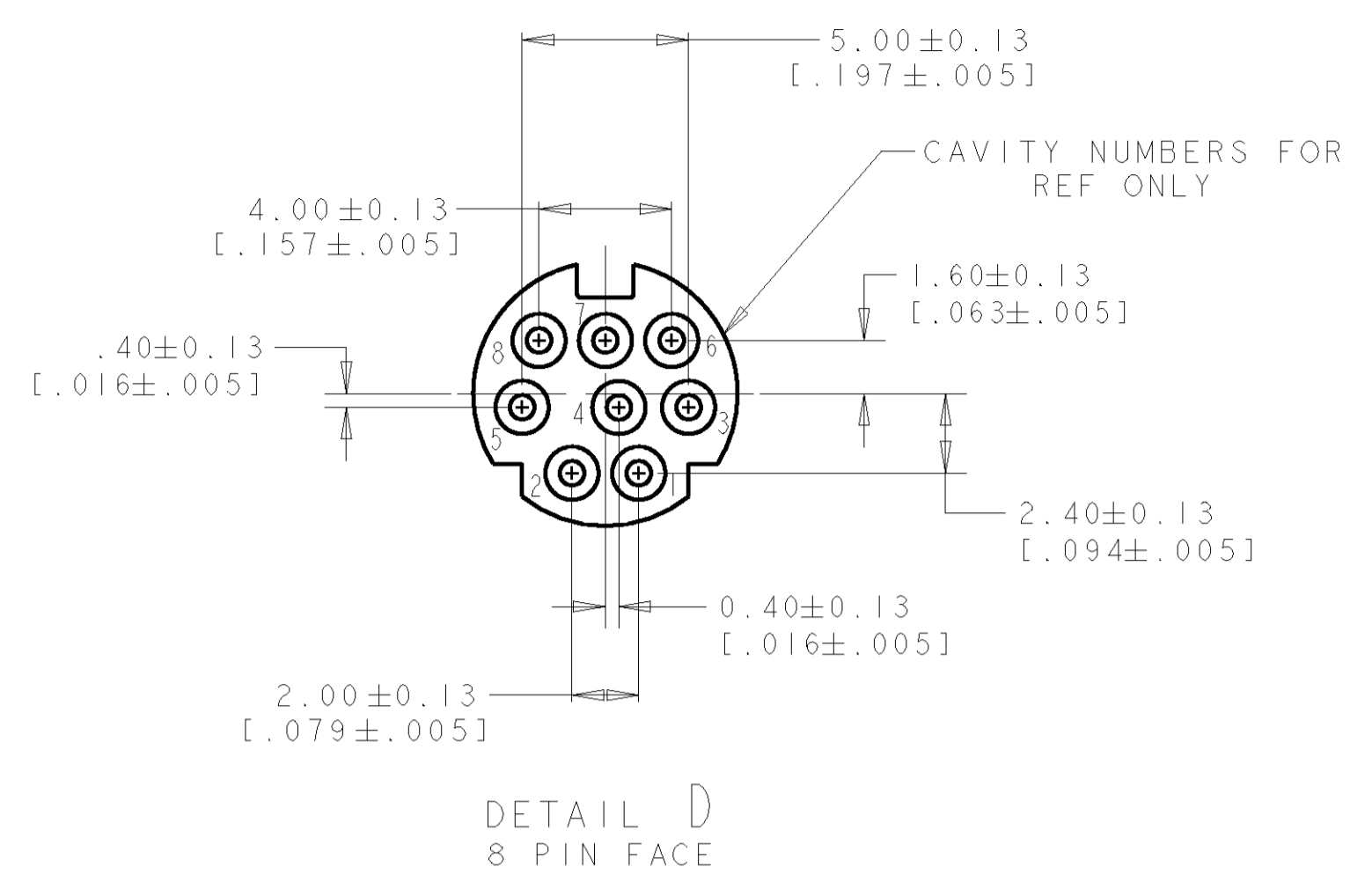
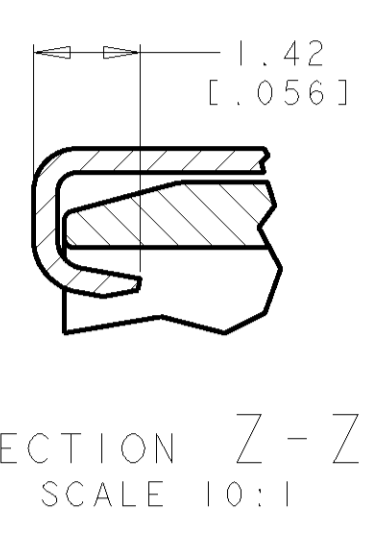
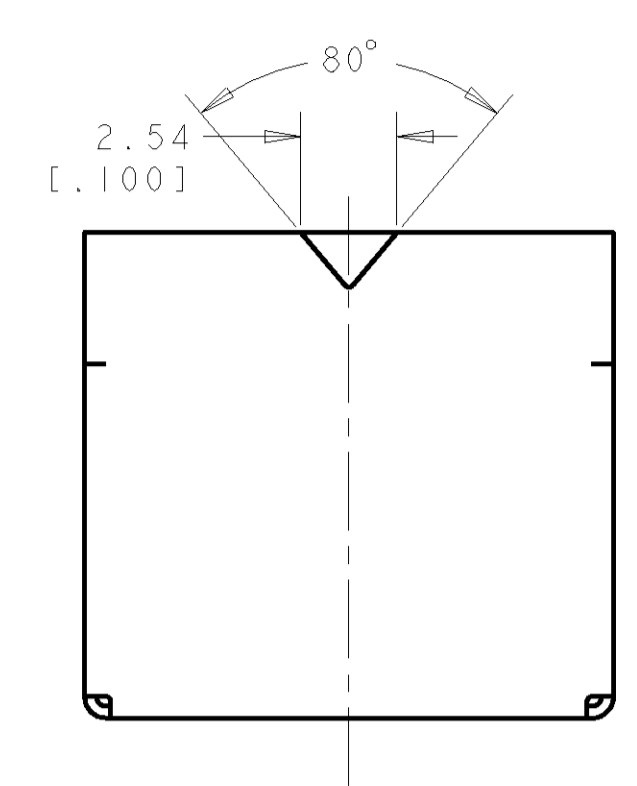
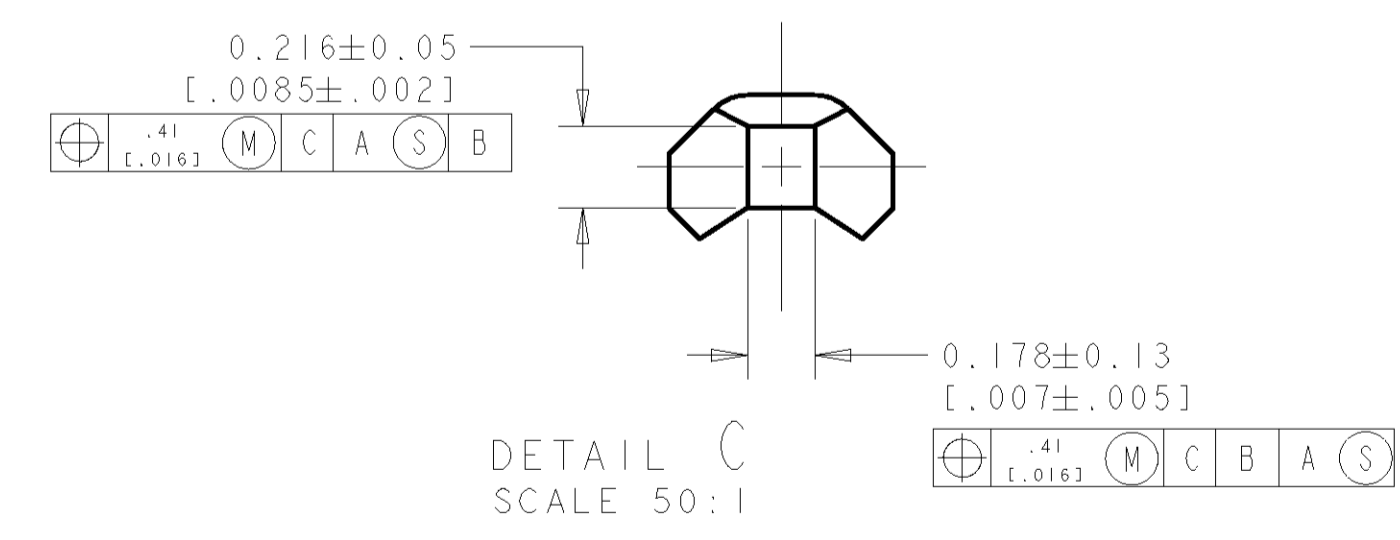
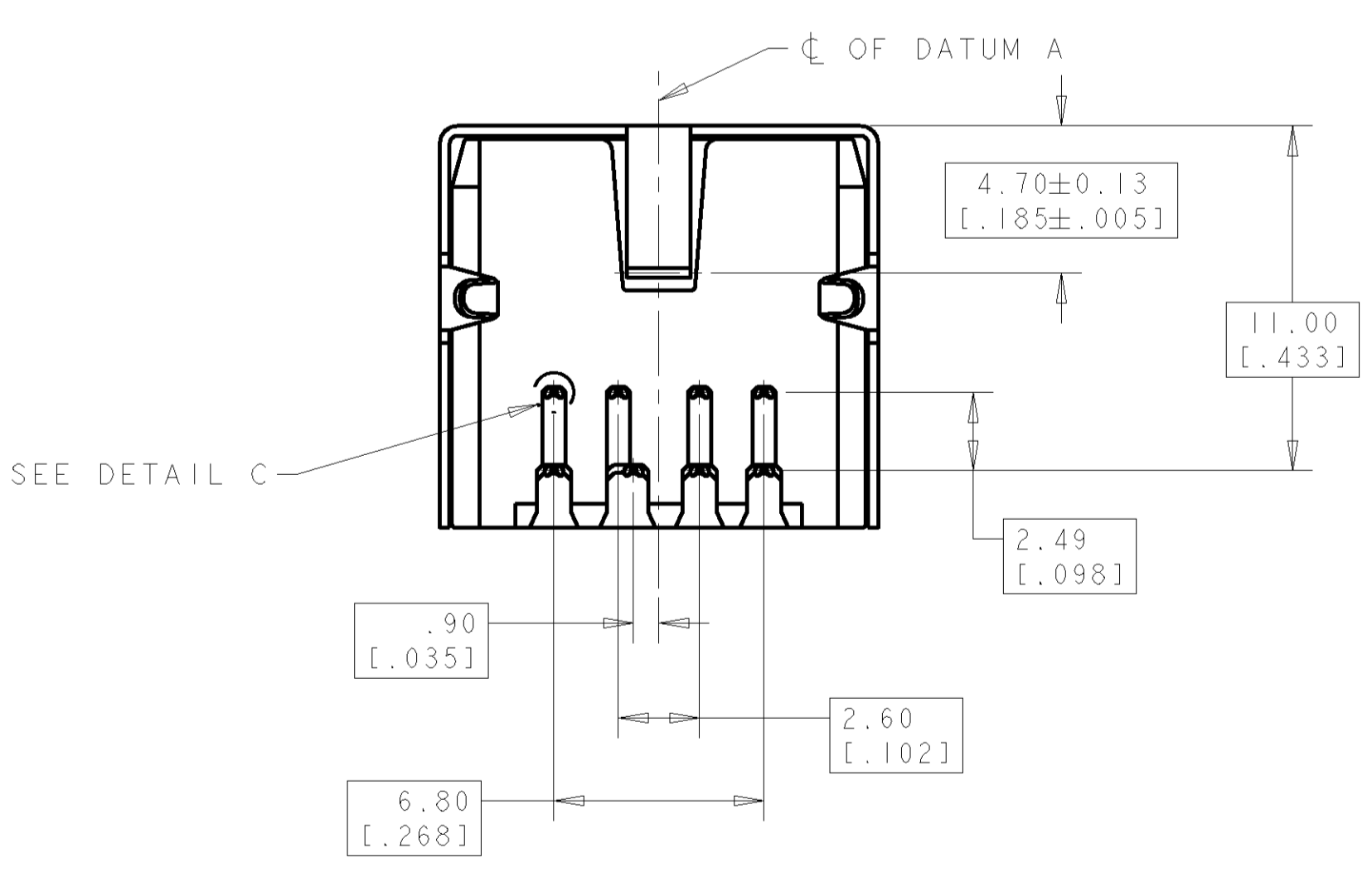
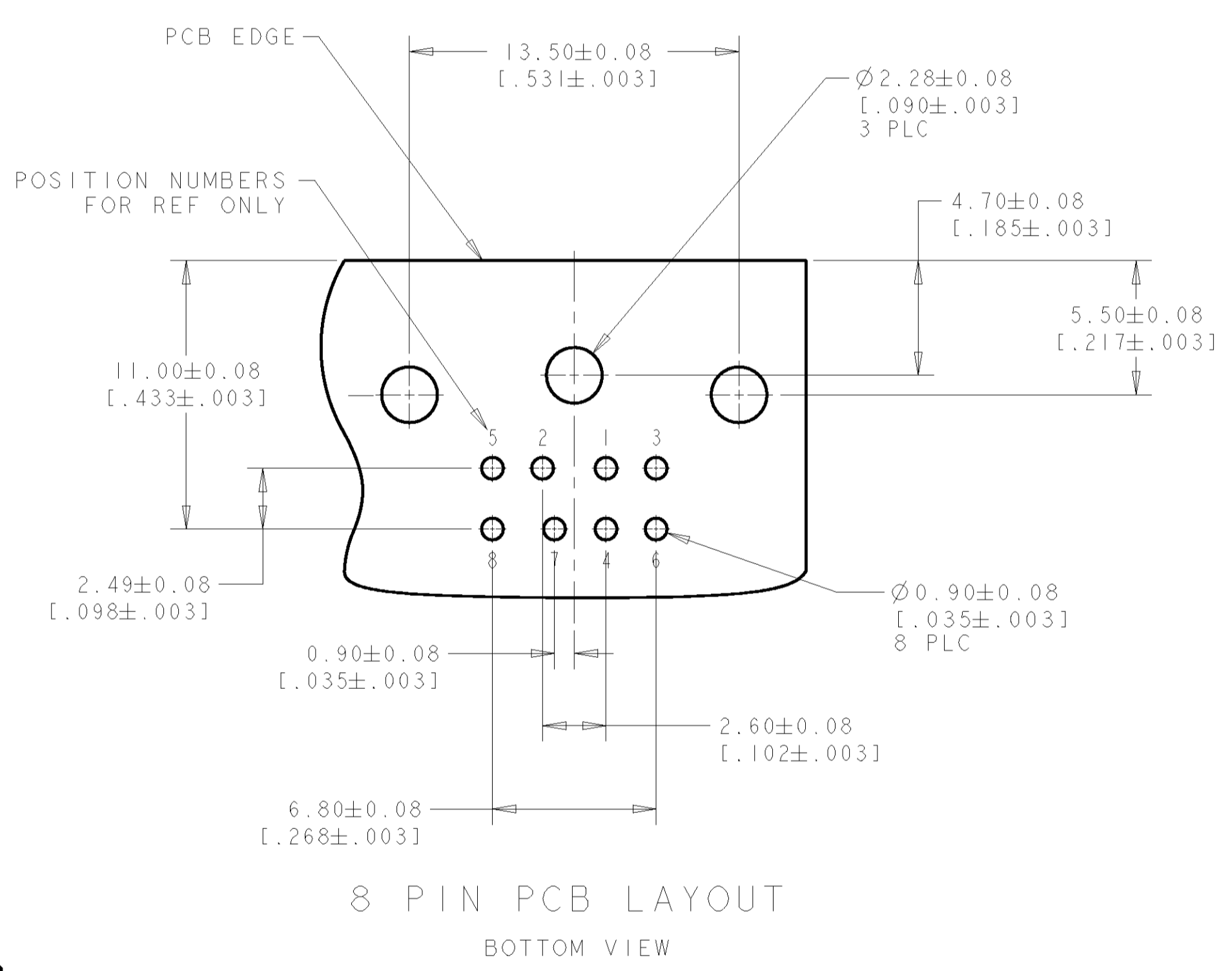
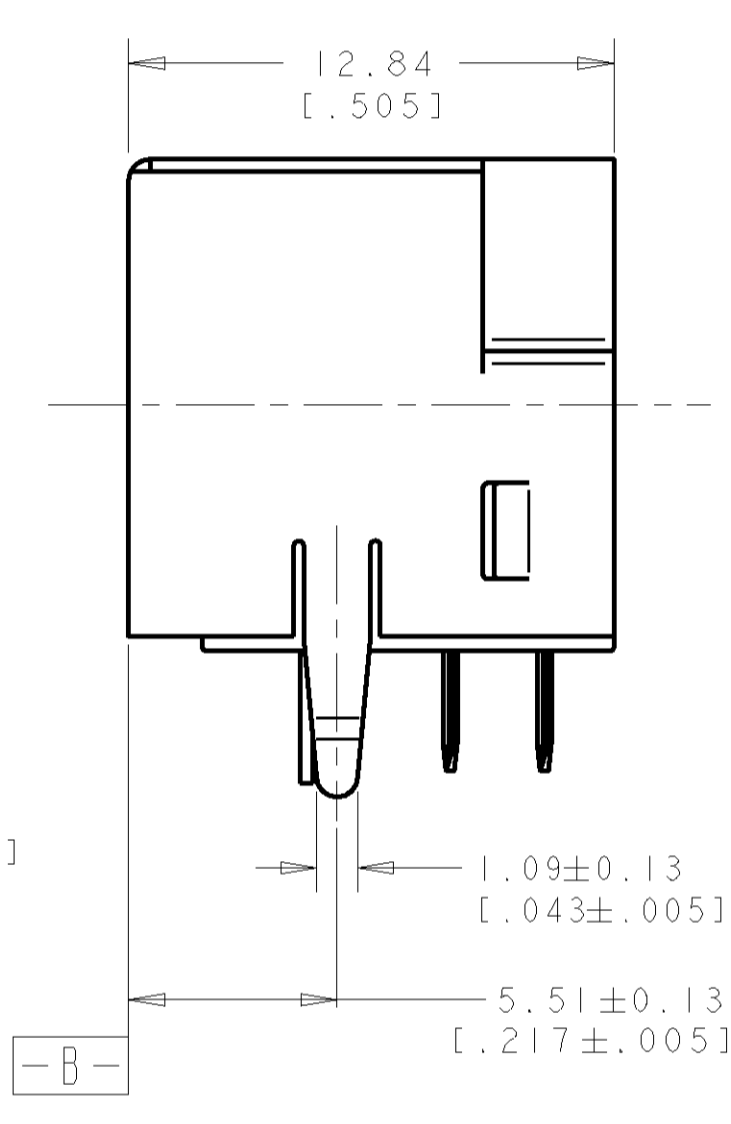
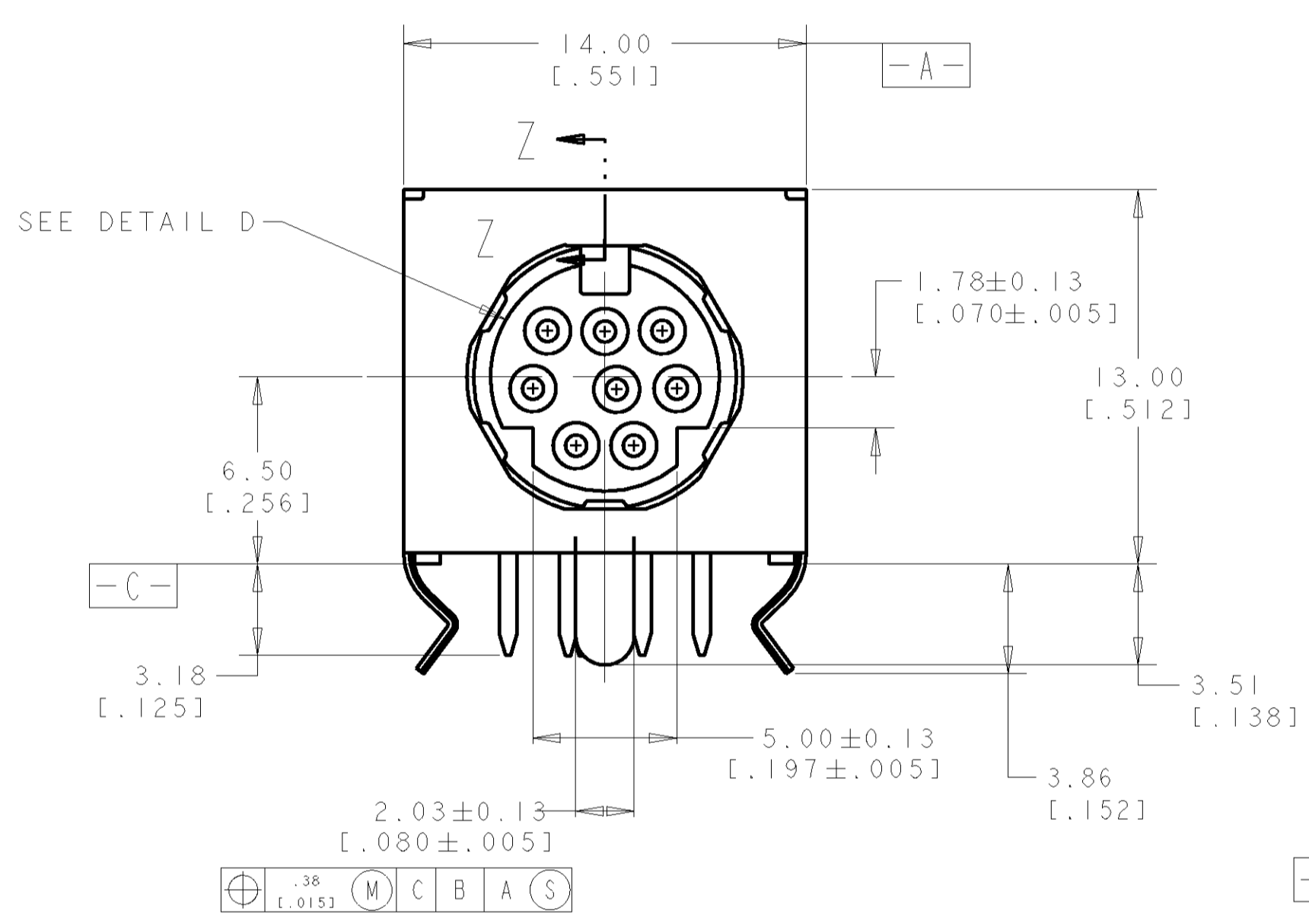


LOC	DIST	REVISIONS			
F	LTR	DESCRIPTION	DATE	DWN	APVD
0		NPR FP00-0340-04	4 JAN 05	LWY	LSF



- △ MATERIAL:
RECEPTACLE CONTACTS: PHOSPHOR BRONZE
RECEPTACLE SHIELD: COPPER ALLOY.
HOUSING: UL RECOGNIZED 94V-0 RATED THERMOPLASTIC, COLOR, BLACK
- △ PLATING:
RECEPTACLE CONTACTS - GOLD FLASH PLATED ON MATING END, MATTE-TIN PLATED .0030 MIN [0.000120 MIN] THICK ON SOLDER TAIL ALL OVER .0013 MIN [0.000050 MIN] THICK NICKEL.
- △ PLATING:
RECEPTACLE SHIELD: PRE-TIN PLATED
- 4. RECEPTACLE ASSEMBLY MATES WITH 8 PIN 9.00±.10 [0.354±.004]



P/N: 5749232-1 AS SHOWN

<small>THIS DRAWING IS UNPUBLISHED. RELEASED FOR PUBLICATION. BY AMP INCORPORATED. ALL RIGHTS RESERVED.</small>		DWN: WYLEE CDR: SF LEONG APVD: SF LEONG	DATE: 04JAN2005 NAME: RECEPTACLE ASSY W/ HOLD DOWN, 8 POS., RIGHT ANGLE, MINIATURE CIRCULAR DIN PRODUCT SPEC: 108-1225 APPLICATION SPEC: - WEIGHT: - MATERIAL: - FINISH: -	Tyco Electronics Singapore Pte. Ltd.
DIMENSIONS: mm [INCHES]	TOLERANCES UNLESS OTHERWISE SPECIFIED: 0 PLC ± 1 PLC ± 2 PLC ± 3 PLC ±0.38(.015) 4 PLC ± 5 PLC ±	SIZE: A1 CAGE CODE: 00779 DRAWING NO: 5749232	SCALE: 5:1 SHEET: 1 of 1 REV: 0	CUSTOMER DRAWING