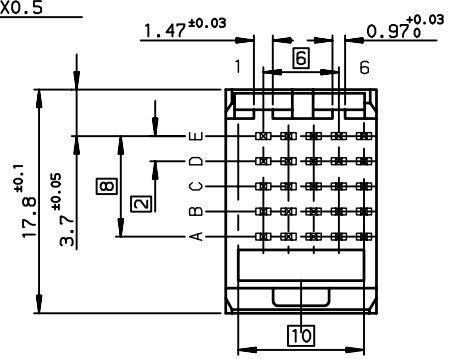
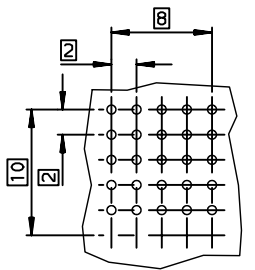


TIN LEAD PART NUMBER
 Part number **HM1W51AKR291H6P**

LEAD FREE PART NUMBER
 Part number **HM1W51AKR291H6PLF**



LAYOUT FOR P.C.B



GENERAL CHARACTERISTICS AND ROHS INFORMATIONS:
 SEE PRODUCT SPECIFICATION GS-12-445

SPECIFIC DATAS: WITHOUT CONTACT IN COLUMN - 1

- NOTE-1: "EYE OF THE NEEDLE" PRESS-FIT PIN TYPE
- NOTE-2: CAVITY FOR CODING KEY MOUNTING AND CABLE CONNECTOR LATCH.
- NOTE-3: INSERTION TOOLING ON PCB, SEE DRAWING REF C-8626-1002
- NOTE-4: IF SUFFIX "P" IS ADDED IN P/N, PACKAGING IS IN TRAYS BUT CONNECTOR MARKING IS WITHOUT "P"
 EXAMPLE: HM1W51AKR291H6P, MARKED HM1W51AKR291H6
- NOTE-5: P.C.B HOLES DEFINITION - SEE GS-12-445

European Views

www.fciconnect.com		surface ISO 1302 ✓	tolerance std ISO 406 ISO 1101	projection ⊕	mm
TOLERANCES UNLESS OTHERWISE SPECIFIED					
Dr	ETIEMBRE	1998/12/04	ANGULAR	0.X ±0.1	size A3 Scale 2.5
Eng	LENOIR	1998/12/04	LINEAR	0.XX ±0.1	ECN LS07-0012
Chr	LEGARE	1998/12/04	0.XX' ±2'	0.XXX ±0.1	Spec ref -
Appr	LEGARE	1998/12/04	Product family METRAL		
		METRAL STRAIGHT HEADER - 25 WAY		Rev. G	
title SP291		catalog no -		C-8626-0939 sheet 1 of 1	

rev	ecn no	dr	date
D	-	ETI	2000/09/19
E	LS05-004	MLE	2005/02/19
F	LS06-0095	LGO	2006/07/14
G	LS07-0012	MLE	2007/03/28
-	-	-	-
-	-	-	-
-	-	-	-

Copyright FCj.