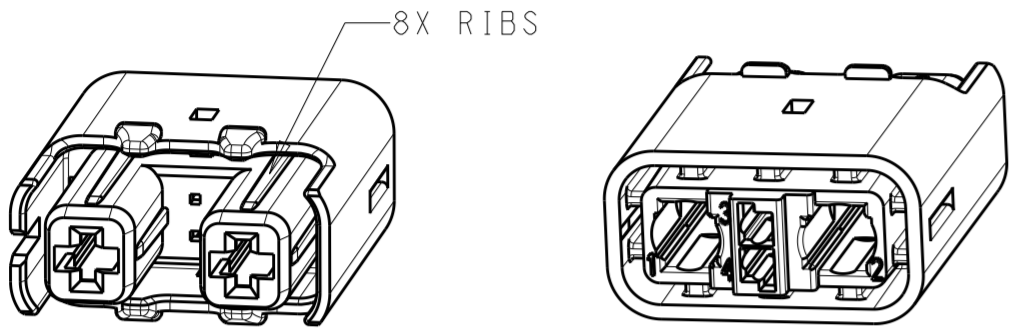
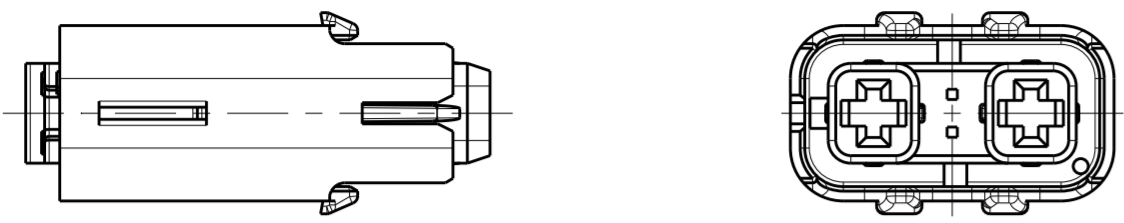


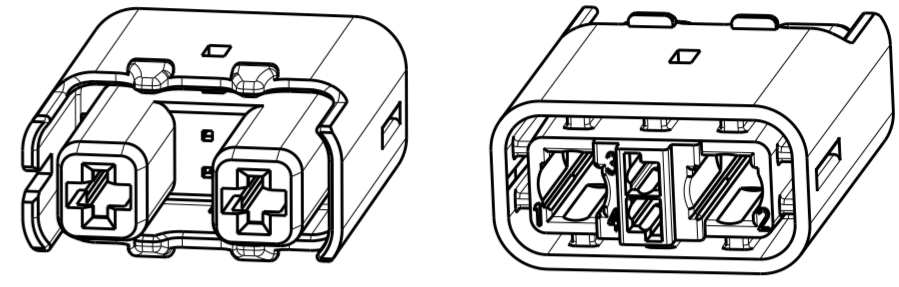
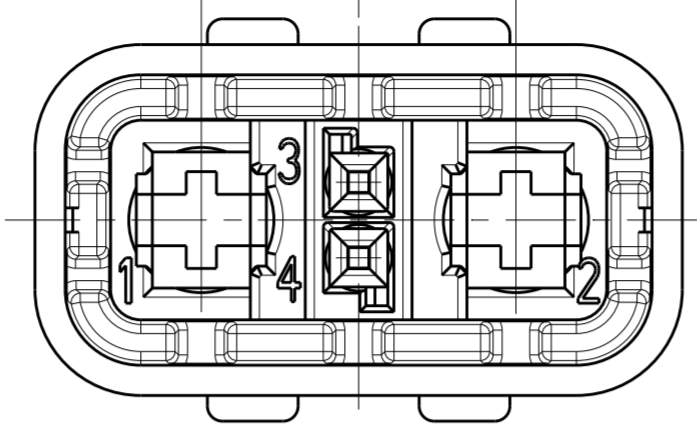
THIS DRAWING IS UNPUBLISHED. RELEASED FOR PUBLICATION 20
 © COPYRIGHT 20 BY TYCO ELECTRONICS CORPORATION ALL RIGHTS RESERVED.

LOC	DIST	REVISIONS			
P	LTR	DESCRIPTION	DATE	DWN	APVD
	A	ECO-13-017852	13NOV2013	DR	DR
	A1	ECO-14-000545	13JAN2014	DR	DR
	A2	ECO-14-001314	27JAN2014	DR	DR

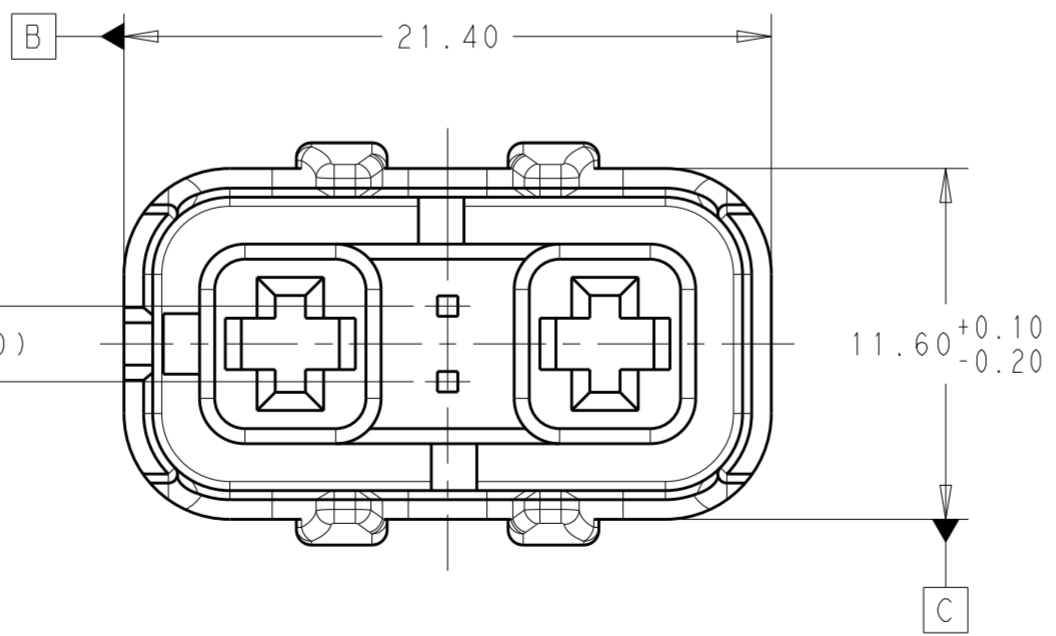
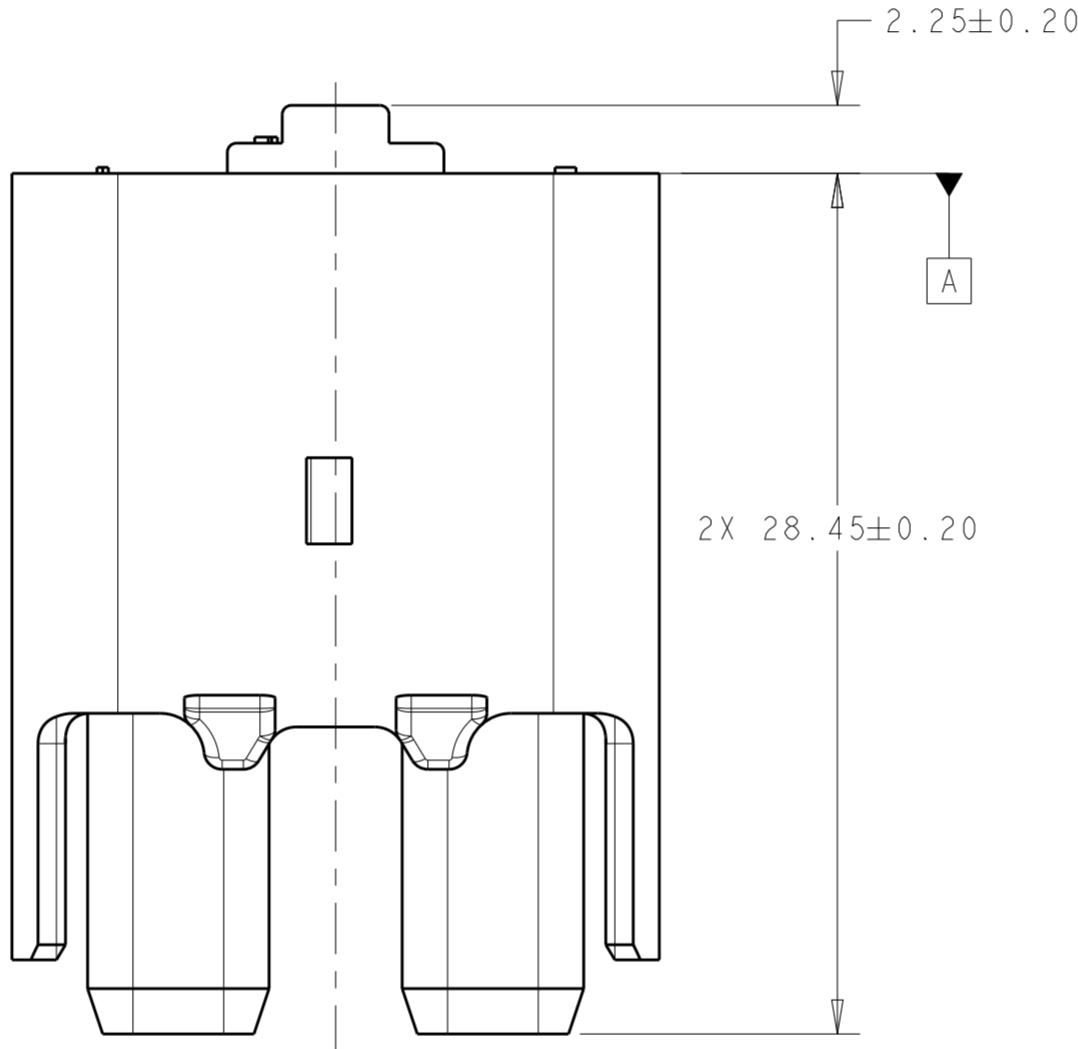


1-2103387-2
 SAME AS 2103387-2 EXCEPT AS SHOWN
 SCALE 2:1

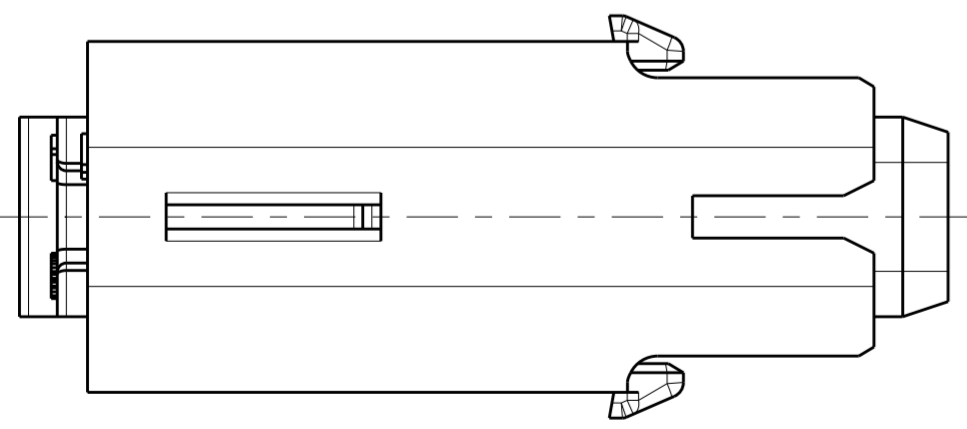
(5.20) (5.20)



SCALE 2:1



- 1 MATERIAL:
TYPE: PA66 33%GF
- 2 PRELIMINARY PART - NOT RELEASED FOR PRODUCTION
- 3 THIS PART HAS NOT COMPLETED VALIDATION TESTING



2103387-2 SHOWN

3.94 g	ORANGE	INNER HOUSING, PASS THRU HVIL, VIB	5	1-2103387-2
3.94 g	BLACK	INNER HOUSING, PASS THRU HVIL	A	2103387-2
WEIGHT	COLOR	DESCRIPTION	REV	PART NO

DIMENSIONS:		TOLERANCES UNLESS OTHERWISE SPECIFIED:		APVD		NAME	
mm		0 PLC	±	D. RHEIN	08JAN2013	STE TE Connectivity	
		1 PLC	±0.2	CHK	08JAN2013	INNER HOUSING, PLUG	
		2 PLC	±0.10	D. RHEIN	08JAN2013	HVA280-2PHM	
		3 PLC	±	APVD	08JAN2013	SIZE	CAGE CODE
		4 PLC	±	A. GUANCO		DRAWING NO	RESTRICTED TO
		ANGLES	±1°	PRODUCT SPEC		A200779	C-2103387
		FINISH		APPLICATION SPEC		SCALE	SHEET
MATERIAL	1			WEIGHT	SEE TABLE	4:1	1 OF 1
				Customer Drawing			REV
							A2