

# SAC-4PY-FT/MT-FT F VP SH - Y distributor



1080245

<https://www.phoenixcontact.com/us/products/1080245>

Please be informed that the data shown in this PDF document is generated from our online catalog. Please find the complete data in the user documentation. Our general terms of use for downloads are valid.

Y distributor, 4-position, shielded, Plug straight M12, coding: T, on Socket straight M12, coding: T and Socket straight M12, coding: T, for direct current up to 16 A/63 V, Parallel distributor



## Your advantages

- High-performance: DC connectors for up to 16 A and 63 V DC

## Commercial data

Item number	1080245
Packing unit	1 pc
Minimum order quantity	1 pc
Sales key	BF10
Product key	BF1GAP
GTIN	4055626802589
Weight per piece (including packing)	99.3 g
Weight per piece (excluding packing)	99.3 g
Customs tariff number	85366990
Country of origin	DE

# SAC-4PY-FT/MT-FT F VP SH - Y distributor



1080245

<https://www.phoenixcontact.com/us/products/1080245>

## Technical data

### Notes

General	<b>NOTE:</b> Observe the permissible bending radii when laying conductors, since the degree of protection may be put in jeopardy if the bending forces are too high. Alleviate mechanical loads upstream of the connector, e.g. by using cable ties.
---------	--

### Product properties

Product type	Y-distributor
Number of positions	4
Application	Power supply
No. of cable outlets	2
Shielded	yes
Coding	T
Thread type	M12

### Insulation characteristics

Overvoltage category	III
Degree of pollution	3

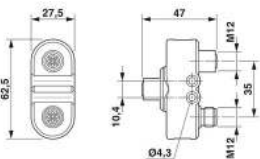
### Electrical properties

Nominal voltage $U_N$	63 V DC
Nominal current $I_N$	16 A (at 40 °C)

### Signaling

Status display	No
Status display present	No

### Dimensions

Dimensional drawing	
Width	28 mm
Height	47 mm
Length	62.5 mm
Center distance	35 mm

### Material specifications

Material	CuZn
	CuNi
Flammability rating according to UL 94	V0

# SAC-4PY-FT/MT-FT F VP SH - Y distributor



1080245

<https://www.phoenixcontact.com/us/products/1080245>

Seal material	NBR
Material of grip body	PBT
Contact surface material	Au
Contact carrier material	PBT
Material for screw connection	Brass, nickel-plated

## Connector

### Connection 1

Type	Plug straight M12
Coding type	T

### Connection 2

Type	Socket straight M12
Coding type	T

## Mechanical properties

### Mechanical data

Insertion/withdrawal cycles	> 100
-----------------------------	-------

## Environmental and real-life conditions

### Ambient conditions

Degree of protection	IP65
Ambient temperature (operation)	-40 °C ... 85 °C (Plug / socket)

## Standards and regulations

Standard designation	M12 connector
Standards/specifications	IEC 61076-2-111

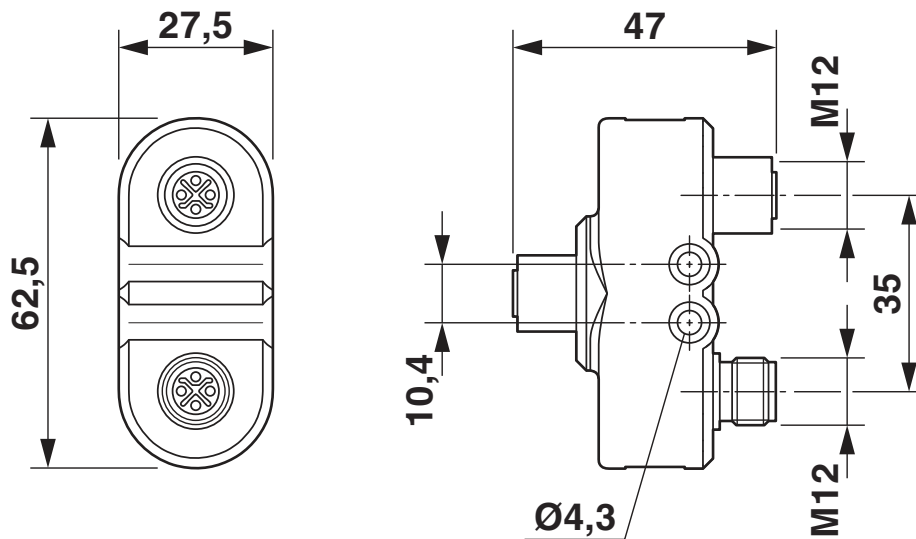
# SAC-4PY-FT/MT-FT F VP SH - Y distributor

1080245

<https://www.phoenixcontact.com/us/products/1080245>

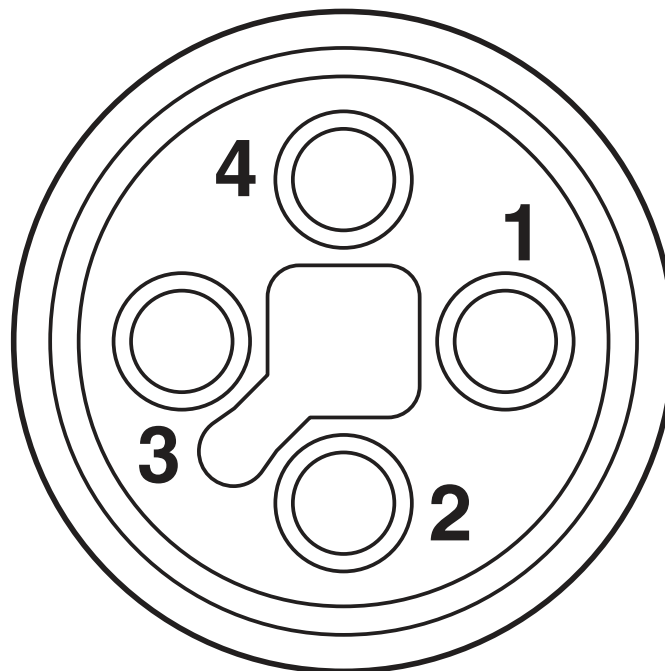
## Drawings

Dimensional drawing



M12 Y distributor

Schematic diagram



Pin assignment of M12 socket, 4-pos., T-coded, socket side view

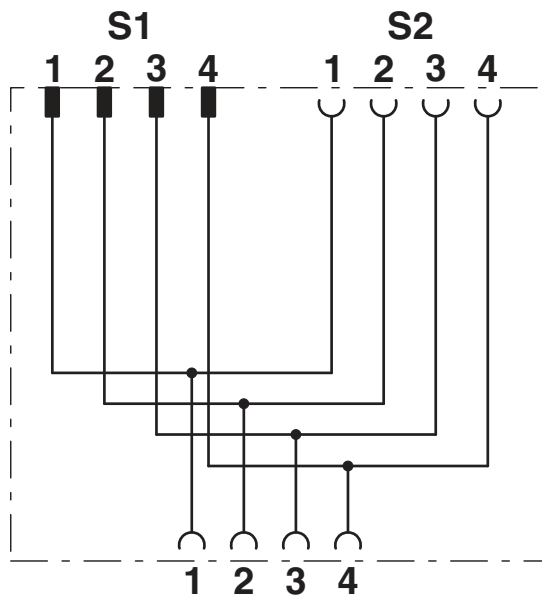
# SAC-4PY-FT/MT-FT F VP SH - Y distributor

1080245

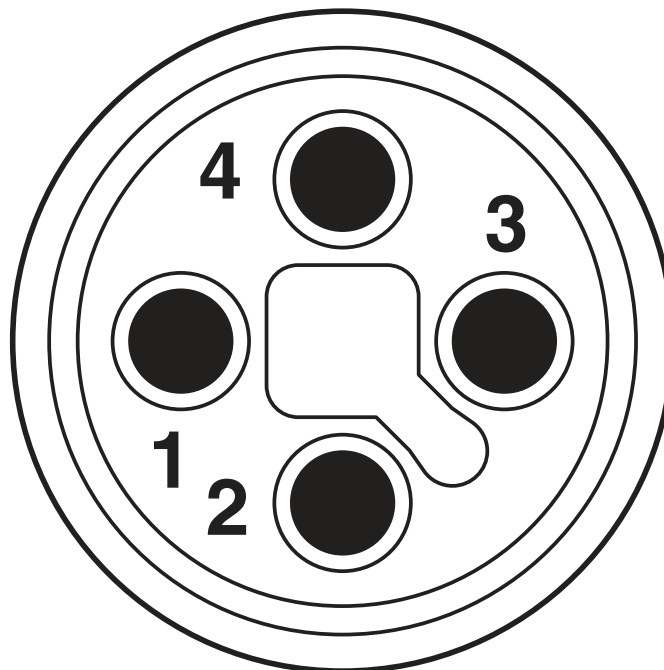
<https://www.phoenixcontact.com/us/products/1080245>



Circuit diagram



Schematic diagram



Pin assignment for M12 plug, 4-pos., T-coded, view of plug side

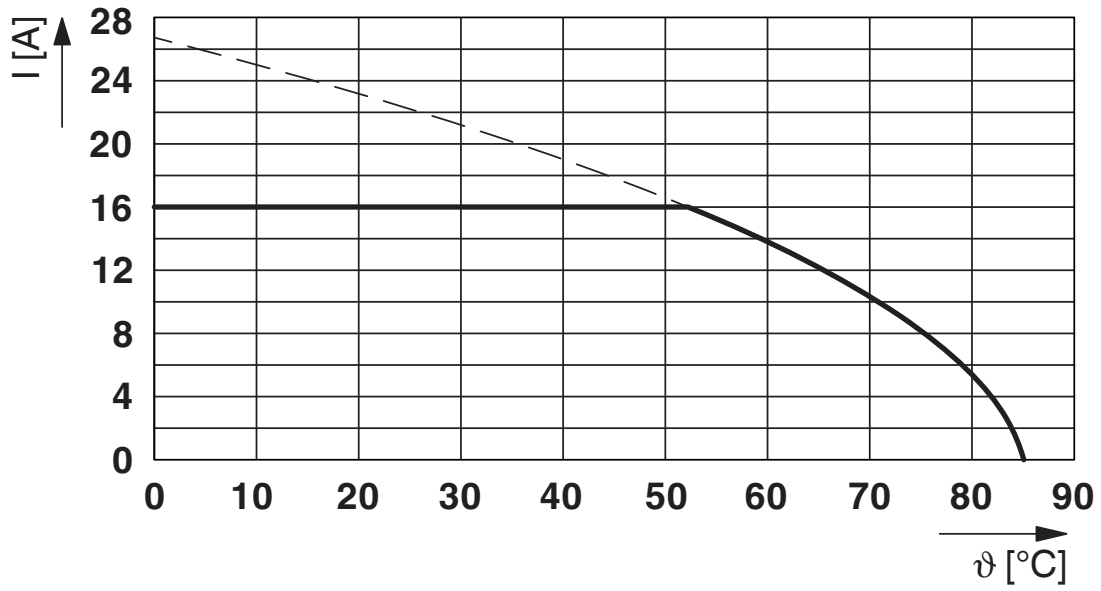
# SAC-4PY-FT/MT-FT F VP SH - Y distributor



1080245

<https://www.phoenixcontact.com/us/products/1080245>

Diagram



Current carrying capacity

# SAC-4PY-FT/MT-FT F VP SH - Y distributor



1080245

<https://www.phoenixcontact.com/us/products/1080245>

## Classifications

### ECLASS

ECLASS-11.0	27440106
ECLASS-12.0	27440106
ECLASS-13.0	27440106

### ETIM

ETIM 8.0	EC002925
----------	----------

### UNSPSC

UNSPSC 21.0	31251500
-------------	----------

# SAC-4PY-FT/MT-FT F VP SH - Y distributor



1080245

<https://www.phoenixcontact.com/us/products/1080245>

## Environmental product compliance

China RoHS	Environmentally friendly use period: unlimited = EFUP-e
	No hazardous substances above threshold values



# SAC-4PY-FT/MT-FT F VP SH - Y distributor



1080245

<https://www.phoenixcontact.com/us/products/1080245>

## Accessories

### UCT-EM (7X10) - Snap-in markers

0830765

<https://www.phoenixcontact.com/us/products/0830765>



Snap-in markers, Sheet, white, unlabeled, can be labeled with: TOPMARK NEO, TOPMARK LASER, BLUEMARK ID COLOR, BLUEMARK ID, BLUEMARK CLED, THERMOMARK PRIME, THERMOMARK CARD 2.0, THERMOMARK CARD, mounting type: snapped, lettering field size: 7 x 10 mm, Number of individual labels: 30

---

Phoenix Contact 2023 © - all rights reserved  
<https://www.phoenixcontact.com>

Phoenix Contact USA  
586 Fulling Mill Road  
Middletown, PA 17057, United States  
(+717) 944-1300  
[info@phoenixcon.com](mailto:info@phoenixcon.com)