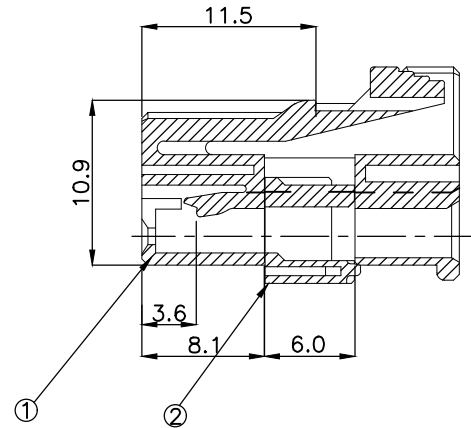
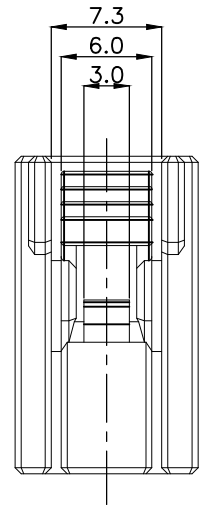
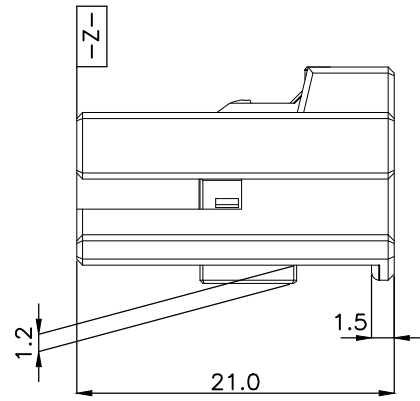
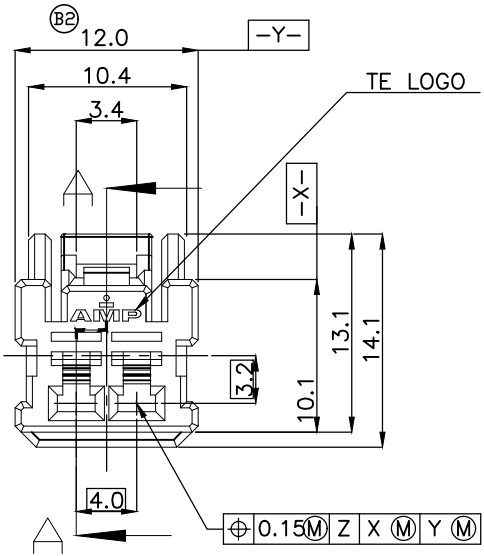


P	LTR	DESCRIPTION	DATE	DWN	APVD
B3	REVISED	ECR-20-002938	17JUL2020	VI	SPB

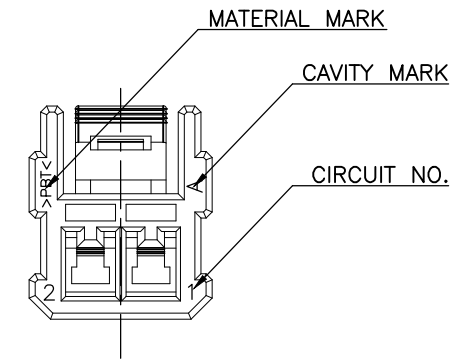
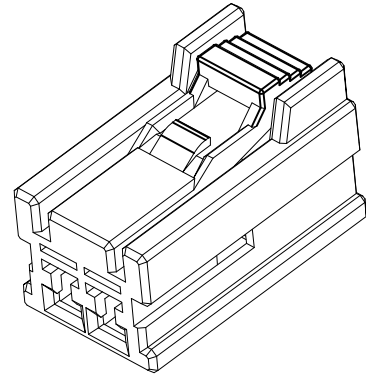


SECTION A - A



NOTES.  
 1. THE MATING HSG. P/N ; 936236  
 2. APPLIED CONTACT P/N ;  
 090 II REC. - 368083, 368084, 368085  
 090 III REC. - 1743654, 1743655, 1743656, 1897753, 1897598

-주기-  
 1. 상대 하우징 P/N. ; 936236  
 2. 적용단자 P/N. ; 090 II REC. - 368083, 368084, 368085  
 090 III REC. - 1743654, 1743655, 1743656, 1897753, 1897598



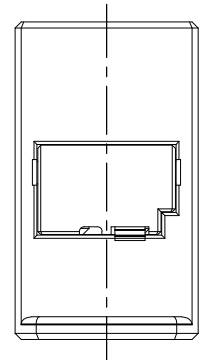
ASSY P/N	QTY
0-936224-8	1
0-936224-5	1
0-936224-4	1
0-936224-3	1
0-936224-2	1
0-936224-1	1

~~OBsolete~~

TOLERANCES UNLESS OTHERWISE SPECIFIED:

0 <XX<10	± 0.2
10<XX<30	± 0.25
30<XX	± 0.3
ANGLES	± 3°

NO	COLOR	MATERIAL	DESCRIPTION	P/N	QTY
1	BLUE	PBT	PLUG	0-936225-8	1
	YELLOW	PBT	PLUG	0-936225-5	1
	BROWN	PBT	PLUG	0-936225-4	1
	D/GRAY	PBT	PLUG	0-936225-3	1
	BLACK	PBT	PLUG	0-936225-2	1
2	NATURAL	PBT	DBL	0-936225-1	1
2	NATURAL	PBT	DBL	0-936226-1	1 1 1 1 1 1



THIS DRAWING IS A CONTROLLED DOCUMENT.

DIMENSIONS: mm	TOLERANCES UNLESS OTHERWISE SPECIFIED: 0 PLC ± - 1 PLC ± - 2 PLC ± - 3 PLC ± - 4 PLC ± - ANGLES ± -	DWN KT LIM	<p>TE Connectivity</p> <p>090III 2P PLUG ASS'Y</p>
	FINISH -	CHK JK SONG	
MATERIAL SEE TABLE		APVD CS LEE	
		PRODUCT SPEC	
		APPLICATION SPEC	NAME
		WEIGHT 0	SIZE A3
		CUSTOMER DRAWING	CAGE CODE 00779
			DRAWING NO C-936224
			RESTRICTED TO
			SCALE 1:1
			SHEET 1 OF 1
			REV B3