

CPX4 DC-PLC Evaluation Kit M01D1 RTK0EE0009D01001BJ

User's Manual

RENESAS
PLC Modem LSI R9A06G061

All information contained in these materials, including products and product specifications, represents information on the product at the time of publication and is subject to change by Renesas Electronics Corp. without notice. Please review the latest information published by Renesas Electronics Corp. through various means, including the Renesas Electronics Corp. website (<http://www.renesas.com>).

Notice

1. Descriptions of circuits, software and other related information in this document are provided only to illustrate the operation of semiconductor products and application examples. You are fully responsible for the incorporation or any other use of the circuits, software, and information in the design of your product or system. Renesas Electronics disclaims any and all liability for any losses and damages incurred by you or third parties arising from the use of these circuits, software, or information.
2. Renesas Electronics hereby expressly disclaims any warranties against and liability for infringement or any other claims involving patents, copyrights, or other intellectual property rights of third parties, by or arising from the use of Renesas Electronics products or technical information described in this document, including but not limited to, the product data, drawings, charts, programs, algorithms, and application examples.
3. No license, express, implied or otherwise, is granted hereby under any patents, copyrights or other intellectual property rights of Renesas Electronics or others.
4. You shall be responsible for determining what licenses are required from any third parties, and obtaining such licenses for the lawful import, export, manufacture, sales, utilization, distribution or other disposal of any products incorporating Renesas Electronics products, if required.
5. You shall not alter, modify, copy, or reverse engineer any Renesas Electronics product, whether in whole or in part. Renesas Electronics disclaims any and all liability for any losses or damages incurred by you or third parties arising from such alteration, modification, copying or reverse engineering.
6. Renesas Electronics products are classified according to the following two quality grades: "Standard" and "High Quality". The intended applications for each Renesas Electronics product depends on the product's quality grade, as indicated below.
 - "Standard": Computers; office equipment; communications equipment; test and measurement equipment; audio and visual equipment; home electronic appliances; machine tools; personal electronic equipment; industrial robots; etc.
 - "High Quality": Transportation equipment (automobiles, trains, ships, etc.); traffic control (traffic lights); large-scale communication equipment; key financial terminal systems; safety control equipment; etc.Unless expressly designated as a high reliability product or a product for harsh environments in a Renesas Electronics data sheet or other Renesas Electronics document, Renesas Electronics products are not intended or authorized for use in products or systems that may pose a direct threat to human life or bodily injury (artificial life support devices or systems; surgical implantations; etc.), or may cause serious property damage (space system; undersea repeaters; nuclear power control systems; aircraft control systems; key plant systems; military equipment; etc.). Renesas Electronics disclaims any and all liability for any damages or losses incurred by you or any third parties arising from the use of any Renesas Electronics product that is inconsistent with any Renesas Electronics data sheet, user's manual or other Renesas Electronics document.
7. No semiconductor product is absolutely secure. Notwithstanding any security measures or features that may be implemented in Renesas Electronics hardware or software products, Renesas Electronics shall have absolutely no liability arising out of any vulnerability or security breach, including but not limited to any unauthorized access to or use of a Renesas Electronics product or a system that uses a Renesas Electronics product. RENESAS ELECTRONICS DOES NOT WARRANT OR GUARANTEE THAT RENESAS ELECTRONICS PRODUCTS, OR ANY SYSTEMS CREATED USING RENESAS ELECTRONICS PRODUCTS WILL BE INVULNERABLE OR FREE FROM CORRUPTION, ATTACK, VIRUSES, INTERFERENCE, HACKING, DATA LOSS OR THEFT, OR OTHER SECURITY INTRUSION ("Vulnerability Issues"). RENESAS ELECTRONICS DISCLAIMS ANY AND ALL RESPONSIBILITY OR LIABILITY ARISING FROM OR RELATED TO ANY VULNERABILITY ISSUES. FURTHERMORE, TO THE EXTENT PERMITTED BY APPLICABLE LAW, RENESAS ELECTRONICS DISCLAIMS ANY AND ALL WARRANTIES, EXPRESS OR IMPLIED, WITH RESPECT TO THIS DOCUMENT AND ANY RELATED OR ACCOMPANYING SOFTWARE OR HARDWARE, INCLUDING BUT NOT LIMITED TO THE IMPLIED WARRANTIES OF MERCHANTABILITY, OR FITNESS FOR A PARTICULAR PURPOSE.
8. When using Renesas Electronics products, refer to the latest product information (data sheets, user's manuals, application notes, "General Notes for Handling and Using Semiconductor Devices" in the reliability handbook, etc.), and ensure that usage conditions are within the ranges specified by Renesas Electronics with respect to maximum ratings, operating power supply voltage range, heat dissipation characteristics, installation, etc. Renesas Electronics disclaims any and all liability for any malfunctions, failure or accident arising out of the use of Renesas Electronics products outside of such specified ranges.
9. Although Renesas Electronics endeavors to improve the quality and reliability of Renesas Electronics products, semiconductor products have specific characteristics, such as the occurrence of failure at a certain rate and malfunctions under certain use conditions. Unless designated as a high reliability product or a product for harsh environments in a Renesas Electronics data sheet or other Renesas Electronics document, Renesas Electronics products are not subject to radiation resistance design. You are responsible for implementing safety measures to guard against the possibility of bodily injury, injury or damage caused by fire, and/or danger to the public in the event of a failure or malfunction of Renesas Electronics products, such as safety design for hardware and software, including but not limited to redundancy, fire control and malfunction prevention, appropriate treatment for aging degradation or any other appropriate measures. Because the evaluation of microcomputer software alone is very difficult and impractical, you are responsible for evaluating the safety of the final products or systems manufactured by you.
10. Please contact a Renesas Electronics sales office for details as to environmental matters such as the environmental compatibility of each Renesas Electronics product. You are responsible for carefully and sufficiently investigating applicable laws and regulations that regulate the inclusion or use of controlled substances, including without limitation, the EU RoHS Directive, and using Renesas Electronics products in compliance with all these applicable laws and regulations. Renesas Electronics disclaims any and all liability for damages or losses occurring as a result of your noncompliance with applicable laws and regulations.
11. Renesas Electronics products and technologies shall not be used for or incorporated into any products or systems whose manufacture, use, or sale is prohibited under any applicable domestic or foreign laws or regulations. You shall comply with any applicable export control laws and regulations promulgated and administered by the governments of any countries asserting jurisdiction over the parties or transactions.
12. It is the responsibility of the buyer or distributor of Renesas Electronics products, or any other party who distributes, disposes of, or otherwise sells or transfers the product to a third party, to notify such third party in advance of the contents and conditions set forth in this document.
13. This document shall not be reprinted, reproduced or duplicated in any form, in whole or in part, without prior written consent of Renesas Electronics.
14. Please contact a Renesas Electronics sales office if you have any questions regarding the information contained in this document or Renesas Electronics products.

(Note1) "Renesas Electronics" as used in this document means Renesas Electronics Corporation and also includes its directly or indirectly controlled subsidiaries.

(Note2) "Renesas Electronics product(s)" means any product developed or manufactured by or for Renesas Electronics.

(Rev.5.0-1 October 2020)

Corporate Headquarters

TOYOSU FORESIA, 3-2-24 Toyosu,
Koto-ku, Tokyo 135-0061, Japan

www.renesas.com

Trademarks

Renesas and the Renesas logo are trademarks of Renesas Electronics Corporation. All trademarks and registered trademarks are the property of their respective owners.

Contact information

For further information on a product, technology, the most up-to-date version of a document, or your nearest sales office, please visit:

www.renesas.com/contact/.

General Precautions in the Handling of Micro processing Unit and Microcontroller Unit Products

The following usage notes are applicable to all Micro processing unit and Microcontroller unit products from Renesas. For detailed usage notes on the products covered by this document, refer to the relevant sections of the document as well as any technical updates that have been issued for the products.

1. Precaution against Electrostatic Discharge (ESD)

A strong electrical field, when exposed to a CMOS device, can cause destruction of the gate oxide and ultimately degrade the device operation. Steps must be taken to stop the generation of static electricity as much as possible, and quickly dissipate it when it occurs. Environmental control must be adequate. When it is dry, a humidifier should be used. This is recommended to avoid using insulators that can easily build up static electricity. Semiconductor devices must be stored and transported in an anti-static container, static shielding bag or conductive material. All test and measurement tools including work benches and floors must be grounded. The operator must also be grounded using a wrist strap. Semiconductor devices must not be touched with bare hands. Similar precautions must be taken for printed circuit boards with mounted semiconductor devices.

2. Processing at power-on

The state of the product is undefined at the time when power is supplied. The states of internal circuits in the LSI are indeterminate and the states of register settings and pins are undefined at the time when power is supplied. In a finished product where the reset signal is applied to the external reset pin, the states of pins are not guaranteed from the time when power is supplied until the reset process is completed. In a similar way, the states of pins in a product that is reset by an on-chip power-on reset function are not guaranteed from the time when power is supplied until the power reaches the level at which resetting is specified.

3. Input of signal during power-off state

Do not input signals or an I/O pull-up power supply while the device is powered off. The current injection that results from input of such a signal or I/O pull-up power supply may cause malfunction and the abnormal current that passes in the device at this time may cause degradation of internal elements. Follow the guideline for input signal during power-off state as described in your product documentation.

4. Handling of unused pins

Handle unused pins in accordance with the directions given under handling of unused pins in the manual. The input pins of CMOS products are generally in the high-impedance state. In operation with an unused pin in the open-circuit state, extra electromagnetic noise is induced in the vicinity of the LSI, an associated shoot-through current flows internally, and malfunctions occur due to the false recognition of the pin state as an input signal become possible.

5. Clock signals

After applying a reset, only release the reset line after the operating clock signal becomes stable. When switching the clock signal during program execution, wait until the target clock signal is stabilized. When the clock signal is generated with an external resonator or from an external oscillator during a reset, ensure that the reset line is only released after full stabilization of the clock signal. Additionally, when switching to a clock signal produced with an external resonator or by an external oscillator while program execution is in progress, wait until the target clock signal is stable.

6. Voltage application waveform at input pin

Waveform distortion due to input noise or a reflected wave may cause malfunction. If the input of the CMOS device stays in the area between V_{IL} (Max.) and V_{IH} (Min.) due to noise, for example, the device may malfunction. Take care to prevent chattering noise from entering the device when the input level is fixed, and also in the transition period when the input level passes through the area between V_{IL} (Max.) and V_{IH} (Min.).

7. Prohibition of access to reserved addresses

Access to reserved addresses is prohibited. The reserved addresses are provided for possible future expansion of functions. Do not access these addresses as the correct operation of the LSI is not guaranteed.

8. Differences between products

Before changing from one product to another, for example to a product with a different part number, confirm that the change will not lead to problems. The characteristics of a micro processing unit or microcontroller unit products in the same group but having a different part number might differ in terms of internal memory capacity, layout pattern, and other factors, which can affect the ranges of electrical characteristics, such as characteristic values, operating margins, immunity to noise, and amount of radiated noise. When changing to a product with a different part number, implement a system-evaluation test for the given product.

Important

Before using this product, be sure to read this document carefully.

This Product:

"This product" in this document collectively refers to the following product manufactured by Renesas Electronics Corporation. "This product" herein encompasses neither the customer's user system nor the host machine.

- (a) CPX4 DC-PLC Evaluation kit equipped with PLC modem LSI R9A06G061 (RTK0EE0009D01001BJ)

Purpose of use of this product:

This product is a solution kit which adopts Renesas Electronics Corporation PLC modem LSI R9A06G061. Be sure to use this product correctly according to said purpose of use. Please avoid using this product other than for its intended purpose of use.

For those who use this product:

This product can only be used by those who have carefully read the document and know how to use it. Use of this product requires basic knowledge of electric circuits, logical circuits, and MCU.

When using this product:

- (1) This product is a development-support unit for use in your program development and evaluation stages. When a program you have finished developing is to be incorporated in a mass-produced product, the judgment as to whether it can be put to practical use is entirely your own responsibility, and should be based on evaluation of the device on which it is installed and other experiments.
- (2) In no event shall Renesas Electronics Corporation be liable for any consequence arising from the use of this product.
- (3) Renesas Electronics Corporation strives to provide workarounds for and correct trouble with products malfunctions, with some free and some incurring charges. However, this does not necessarily mean that Renesas Electronics Corporation guarantees the provision of a workaround or correction under any circumstances.
- (4) This product covered by this document has been developed on the assumption that it will be used for program development and evaluation in laboratories. Therefore, it does not fall within the scope of applicability of the Electrical Appliance and Material Safety Law and protection against electromagnetic interference when used in your country.
- (5) Renesas Electronics Corporation cannot predict all possible situations and possible cases of misuse that carry a potential for danger. Therefore, the warnings in this document and the warning labels attached to this product do not necessarily cover all such possible situations and cases. The customer is responsible for correctly and safely using this product.
- (6) This product covered by this document has not been through the process of checking conformance with UL or other safety standards and IEC or other industry standards. This fact must be taken into account when this product is used in your country.
- (7) Renesas Electronics Corporation will not assume responsibility of direct or indirect damage caused by an accidental failure or malfunction in this product.
- (8) The all operation of the USB device connected to this product is not guaranteed.
- (9) All of the application note and sample program provided about this product are reference data, and they do not guarantee the operation. Please use as technical reference data for software development.

When disposing of this product:

Penalties may be applicable for incorrect disposal of this waste, in accordance with your national legislation.

Usage restrictions:

This product has been developed as evaluation system for PLC modem LSI R9A06G061.

Therefore, do not use it as an embedded device in other equipment. Also, do not use it to develop systems or

equipment for use in the following fields.

- (1) Transportation and vehicular
- (2) Medical (equipment that has an involvement in human life)
- (3) Aerospace
- (4) Nuclear power control
- (5) Undersea repeaters

If you are considering the use of this product for one of the above purposes, please be sure to consult your local distributor.

About product changes:

We are constantly making efforts to improve the design and performance of our product. Therefore, the specification or design of this product, or this document, may be changed without prior notice.

About rights:

- (1) We assume no responsibility for any damage or infringement on patent rights or any other rights arising from the use of any information, products or circuits presented in this document.
- (2) The information or data in this document does not implicitly or otherwise grant a license to patent rights or any other rights belonging to Renesas or to a third party.
- (3) This document and this product CPX4 DC-PLC Evaluation kit M01D1 (RTK0EE0009D01001BJ) are copyrighted, with all rights reserved by Renesas. This document may not be copied, duplicated or reproduced, in whole or part, without prior written consent from Renesas.

About diagrams:

Some diagrams in this document may differ from the objects they represent.

About warranty:

Exchange free only in the case of initial failure.







This product is provided "as is" and no repair, analysis, etc. are supported.

Precautions for Safety

In this document, several icons are used to insure proper handling of this product and also to prevent injuries to you or other persons, or damage to your properties.

This chapter describes the precautions which should be taken in order to use this product safely and properly.

Be sure to read this chapter before using this product.

	<p>This symbol represents a warning about safety. It is used to arouse caution about a potential danger that will possibly inflict an injury on persons. To avoid a possible injury or death, please be sure to observe the safety message that follows this symbol.</p>
 WARNING	<p>WARNING indicates a potentially dangerous situation that will cause death or heavy wound unless it is avoided.</p>
 CAUTION	<p>CAUTION indicates a potentially dangerous situation that will cause a slight injury or a medium-degree injury unless it is avoided. In addition to the three above, the following are also used as appropriate.</p>
<p>In addition to the three above, the following are also used as appropriate.</p>	
<p>△ means PROHIBITION</p>	
<p>Example:</p> 	<p>CAUTION AGAINST AN ELECTRIC SHOCK</p>
<p>⊘</p>	
<p>Example:</p> 	<p>DISASSEMBLY PROHIBITED</p>
<p>● means A FORCIBLE ACTION</p>	
<p>Example:</p> 	<p>UNPLUG THE POWER CABLE FROM THE RECEPTACLE</p>

WARNING

Warnings for AC Power Supply :



- Do not touch the plug of the AC power cable when your hands are wet. This may cause electric shock.
- If other equipment is connected to the same branch circuit, care should be taken not to overload.



- If you smell a strange odor, hear an unusual sound, or see smoke coming from this product, then disconnect power immediately by unplugging both the AC/DC Adapter and the AC power cables for PLC signal from the outlet.
Do not use this as it is because of the danger of electric shock and/or fire. In this case, contact your local distributor.

Warnings to Be Taken for This Product:



- Do not disassemble or modify this product. Personal injury due to electric shock may occur if this product is disassembled and modified. Disassembling and modifying the product will void your warranty.
- Make sure nothing falls into the cooling fan on the top panel, especially liquids, metal objects, or anything combustible.



- CAUTION: High Voltage (Risk of Electric Shock)
- This is the evaluation kit for powerline communications. All work in powerline communications must be done with extreme care. Caution must be exercised when using power supplies or power related equipment.
- There is high voltage (100V-230 V AC) power on this board. Do not touch the high voltage area during live operation for debugging, probing, or any other.
- The capacitors on this board can be energized even after disconnecting this board from the main power supply. Be careful to not touch any parts on this board immediately after you disconnect the main power supply.
- Do not touch the high voltage area during live operation for debugging, probing, or any other purpose.
- Renesas Electronics bears no responsibility for any consequences that may result from the improper or hazardous use of this board.

WARNING

Warning for Installation :



- Do not set this product in water or areas of high humidity. Make sure that the product does not get wet. Spilling water or some other liquid into the product may cause unrepairable damage.

Warning for Use Environment :



- This equipment is to be used in an environment with a maximum ambient temperature of 40°C. Care should be taken that this temperature is not exceeded.
- Do not touch this product immediately after a lightning strike.

CAUTION

Cautions for AC Power Supply :



- Use a power cord and AC adapter that are appropriate for that country's safety standards.
- Use of an inappropriate power cord or AC adapter may cause generation of heat, fire, or electric shock.

Cautions to Be Taken for Handling This Product :



- Use caution when handling the product. Be careful not to apply a mechanical shock.
- Do not touch the connector pins of this product and the target MCU connector pins directly. Static electricity may damage the internal circuits.
- When attaching and removing the cable, hold the plug of the cable and do not touch the cable. Do not pull this product by the communications interface cable or the flexible cable. And, excessive flexing or force may break conductors.

Caution to Be Taken for System Malfunctions :



- If this product malfunctions because of interference like external noise, do the following to remedy the trouble.
 - (1) Exit this product debugger, and shut OFF this product and the user system.
 - (2) After a lapse of 10 seconds, turn ON the power of this product and the user system again.

Caution to Be Taken for Disposal :



- Penalties may be applicable for incorrect disposal of this waste, in accordance with your national legislation.

European Union regulatory notices



The WEEE (Waste Electrical and Electronic Equipment) regulations put responsibilities on producers for the collection and recycling or disposal of electrical and electronic waste. Return of WEEE under these regulations is applicable in the European Union only. This equipment (including all accessories) is not intended for household use. After use the equipment cannot be disposed of as household waste, and the WEEE must be treated, recycled and disposed of in an environmentally sound manner. Renesas Electronics Europe GmbH can take back end of life equipment, register for this service at ["http://www.renesas.eu/weee"](http://www.renesas.eu/weee)

Regulatory Compliance Notices

European Union regulatory notices

This product complies with the following EU Directives. (These directives are only valid in the European Union.)

CE Certifications:

Directive 2014/30/EU (EMC) :

EN 55032:2015, EN 55035:2017+A11:2020

Information for traceability

- Authorized representative
Name: Renesas Electronics Corporation
Address: 5-20-1, Josuihon-cho, Kodaira-shi, Tokyo 187-8588, Japan
- Manufacturer
Name: Renesas Electronics Corporation
Address: 5-20-1, Josuihon-cho, Kodaira-shi, Tokyo 187-8588, Japan
- Person responsible for placing on the market
Name: Renesas Electronics Europe GmbH
Address: Arcadiastrasse 10, 40472 Dusseldorf, Germany
- Trademark and Type name
Trademark: Renesas
Product name: CPX4 DC-PLC BOARD
Model name: RTK0EE0009D03001BJ **

Environmental Compliance and Certifications:

Waste Electrical and Electronic Equipment (WEEE) Directive 2012/19/EU

UK Government guidance regulatory notices

This product is in conformity with the following relevant UK Statutory Instrument(s) (and their amendments):

UKCA Certifications:

2016 No. 1091 Electromagnetic Compatibility Regulations 2016(EMC)

EN 55032:2015, EN 55035:2017+A11:2020

Information for traceability

- Authorized representative
Name: Renesas Electronics Corporation
Address: 5-20-1, Josuihon-cho, Kodaira-shi, Tokyo 187-8588, Japan
- Manufacturer
Name: Renesas Electronics Corporation
Address: 5-20-1, Josuihon-cho, Kodaira-shi, Tokyo 187-8588, Japan
- Person responsible for placing on the market
Name: Renesas Electronics Europe GmbH
Address: Dukes Meadow Millboard Road Bourne End Buckinghamshire , SL8 5FH
- Trademark and Type name
Trademark: Renesas
Product name: CPX4 DC-PLC BOARD
Model name: RTK0EE0009D03001BJ **

United States regulatory notices on electromagnetic compatibility

FCC Certifications (United States Only):

This device complies with Part 15 of the FCC Rules. Operation is subject to the following two conditions: (1) this device may not cause harmful interference, and (2) this device must accept any interference received, including interference that may cause undesired operation.

** Note)

About representation of the model name

A model name of the kit including accessories is "RTK0EE0009D01001BJ". (It is displayed on a box.)

A model name of the PLC board is "RTK0EE0009D03001BJ". (It is displayed on the board.)

How to Use This Manual

1. Purpose and Target Readers

This manual is designed to provide the user with an understanding of the hardware functions and electrical characteristics of the evaluation board. It is intended for users designing applications and systems based on the board.

Particular attention should be paid to the precautionary notes when using the manual. These notes occur within the body of the text, at the end of each section, and in the Usage Notes section.

The revision history summarizes the locations of revisions and additions. It does not list all revisions. Refer to the text of the manual for details.

Table of Contents

1. Product Overview	15
1.1 Board configuration	15
1.2 Circuit function block diagram	17
1.3 To begin evaluating DC-PLC communications	19
1.3.1 Items required for DC-PLC communication Evaluation.....	19
2. HOW TO USE	20
2.1 How to supply DC voltage to DC-PLC board	20
2.2 Connecting Communication Lines	21
2.3 Selection of drive method	23
2.4 Methods for evaluating DC-PLC communications using CPX4 SimpleMAC GUI	25
3. Interface specifications and SW/JP switching	26
3.1 DC-PLC Board	26
3.1.1 Explanation of Connectors, SWs and JPs of DC-PLC Boards.....	26
3.1.2 LED (LED1, LED2, LED3, LED4)	27
3.1.3 JP1, JP2, JP3, JP4, JP5, JP6, JP7 for connection switching between UART_SROM interface and SPI interface	27
3.1.4 JP/SW (JP9, JP10, JP11, JP12, SW3, SW4, SW5) for drive method switching	27
3.1.5 JP(JP13, JP15) that connect the line power supply and the voltage generator.....	28
3.1.6 JP for power supply switching (JP14).....	28
3.1.7 JP (JP21) for switching external reset function via USB	28
3.1.8 Serial communication selector switch (SW6).....	28
3.1.9 Switch for selecting enable/disable of MCU (RX651) (SW7).....	28
3.1.10 Reset switch (SW8)	28
3.1.11 BOOT setting switch (SW9, SW10).....	29
3.1.12 PLC-connector (CN2, CN3)	29
3.1.13 Power connector (CN4)	29
3.1.14 USB connector (CN5).....	29
3.1.15 MCU board-connection connector (CN6, CN7)	30
3.2 RX651 MCU Board.....	31
3.2.1 Explanation of Connectors, SWs and JPs of RX651 MCU Boards	31
3.2.2 LED (LED301, LED302)	32
3.2.3 MCU(RX651) General-purpose DIP-switch (SW301, SW302).....	32
3.2.4 JP for program write setting (JP301)	32
3.2.5 DC-PLC board-connection connector (CN303/CN304)	32
3.2.6 OCD-connector (CN305).....	33
3.2.7 USB connector (CN302).....	34
3.2.8 Connectors for expansion terminals (CN300/CN301)	35
3.2.9 Control MCU(RX651).....	36
3.3 Power Filter Board.....	38
3.3.1 Explanation of Connectors, JPs and TP of Power Filter Board	38
3.3.2 Power Supply Connector (CN202: Silk Display is PWR_IN)	39
3.3.3 Communication line connector (CN201: Silk display is PWR_OUT (PLC)).....	39
3.3.4 Power-mode setting JP (JP201/JP202)	39

3.3.5	GND pin TP (TP201).....	39
3.4	PMOD conversion board	39
4.	Appendix.....	41
4.1	DC-PLC board communication performance guideline (Reference).....	41

1. Product Overview

This product is an evaluation kit for DC power line communication (hereinafter referred to as DC-PLC) for developing software and evaluating systems compatible with PLC modem LSI R9A06G061 (hereinafter referred to as "CPX4") made by Renesas Electronics.

This chapter describes the configuration and usage of this product.

1.1 Board configuration

This product has a total board configuration that includes the analog front end and control MCU required for DC-PLC. This product is shown in Figure 1-1.

This product is composed of the following four types of boards. The board main unit consists of the following 1), 2), 3) and 4).

- 1) DC-PLC Board: PLC-modem LSI (CPX4: R9A06G061) and AFE-device (ISL15102)
- 2) RX651 MCU Board: Control MCU board (RX651: R5F5651EHDFP)
- 3) Power Filter Board: Impedance upper and filter for removing PLC signal to DC power supply source
- 4) PMOD conversion board: Pmod™ connector female-male conversion board

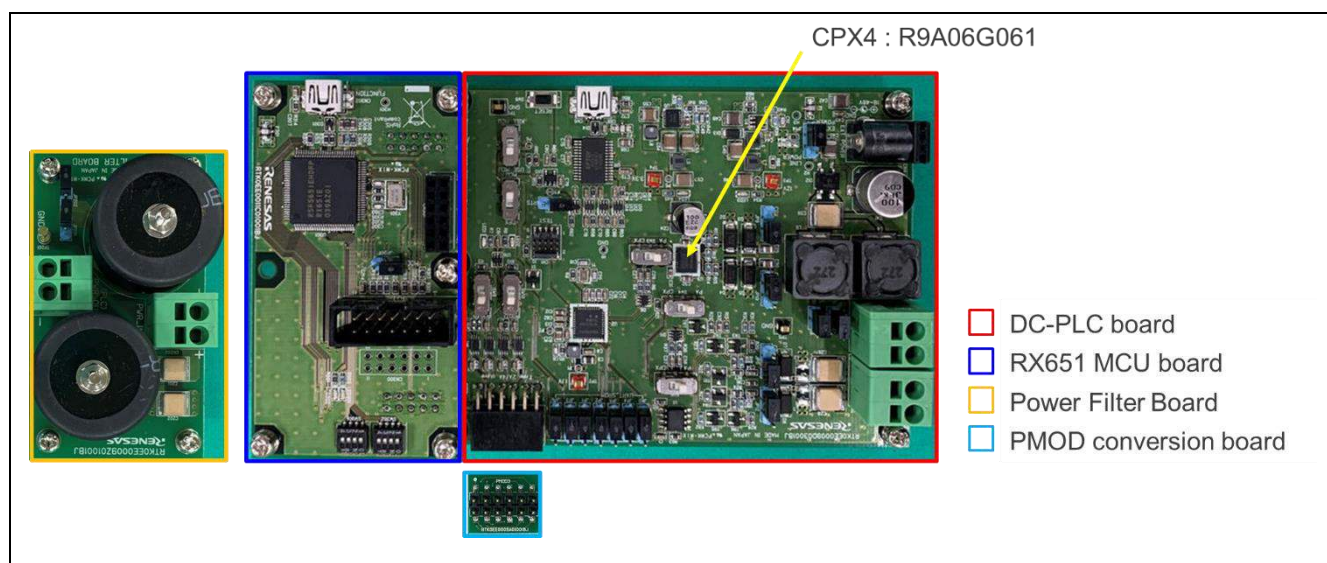


Figure 1-1 CPX4 DC-PLC Evaluation Kit Board Configuration

The model name of the kit including the accessories is "RTK0EE0009D01001BJ" (display on the outer box). The individual model names for each board are shown in Table 1-1.

Table 1-1 Evaluation Kit supplied Board model name

DC-PLC Board model name	RTK0EE0009D03001BJ
RX651 MCU Board model name	RTK0EE0011C01001BJ
Power Filter Board model name	RTK0EE0009Z01001BJ
PMOD conversion board model name	RTK0EE0009A01001BJ

Table 1-2 List of specifications

Product name		CPX4 DC-PLC Evaluation Kit M01D1 RTK0EE0009D01001BJ	
Product Model Number		RTK0EE0009D01001BJ	
PLC modem device		CPX4 (R9A06G061)	
Control MCU		RX651 (R5F5651EHDFP)	
AFE Devices		ISL15102 (Intersil) : Power Amp (hereinafter, PA) + RX Step ATT : discrete	
PLC section specifications		Applicable Frequency	Supported 1: 98.4375kHz - 121.875kHz Supported 2: 154.6875kHz - 487.5kHz
		Applicable power line voltage	16 - 48VDC
Power supply		Line power supply	Power supply DC voltage from communication line (DC16-48V, 0.5A or more recommended)
		External power supply	Power supply DC voltage from AC adapter (DC16-48V, 1A or more recommended)
Interface connector	DC-PLC Board	Power Supply/PLC Signal Port	Power supply/PLC connector (CN3): Terminal block for printed circuit board
		External power supply port	Power connector (CN4): AC jack AC adapter for supplying power to the system: DC16 to 48V, 1A or higher recommended (Note: AC adapter is not included)
		PMOD	Connector for Digilent Pmod™ interface (PMOD1): Type 2A(SPI) / Type 4A(UART) supported
		USB	USB connector (CN5): for serial communication with CPX4, Mini-B USB cabling for PC communication
	RX651 MCU Board	MCU(RX651) On-chip debugging	OCD connector (CN305): MCU(RX651) E1 emulator connection for debugging
		GPIO(MCU)	GPIO connectors (CN301): For MCU signal monitoring
		USB	USB connector (CN302): For USB function and USB boot mode
	Power filter Board	DC Voltage input	DC voltage power supply connector (CN202): Terminal block for printed circuit board (DC Power supply side)
		DC Voltage output	DC-voltage power supply connector (CN201): Terminal block for printed circuit board (PLC signal port side)
	Product description		<ul style="list-style-type: none"> • DC-PLC Board..... 1 unit • RX651 MCU Board..... 1 unit • Power filter board..... 1 unit • PMOD conversion board..... 1 unit • USB cable..... 1 pcs • Precautions for Use (English)..... 1 pcs • Precautions for Use (Japanese) 1 pcs • SJ/T 11364 table of hazardous substance (China RoHS)..... 1 pcs
External Dimensions		120×80×27 mm	

1.2 Circuit function block diagram

The circuit function block diagram of this product is shown in Figure 1-2, Figure 1-3, Figure 1-4, Figure 1-5.

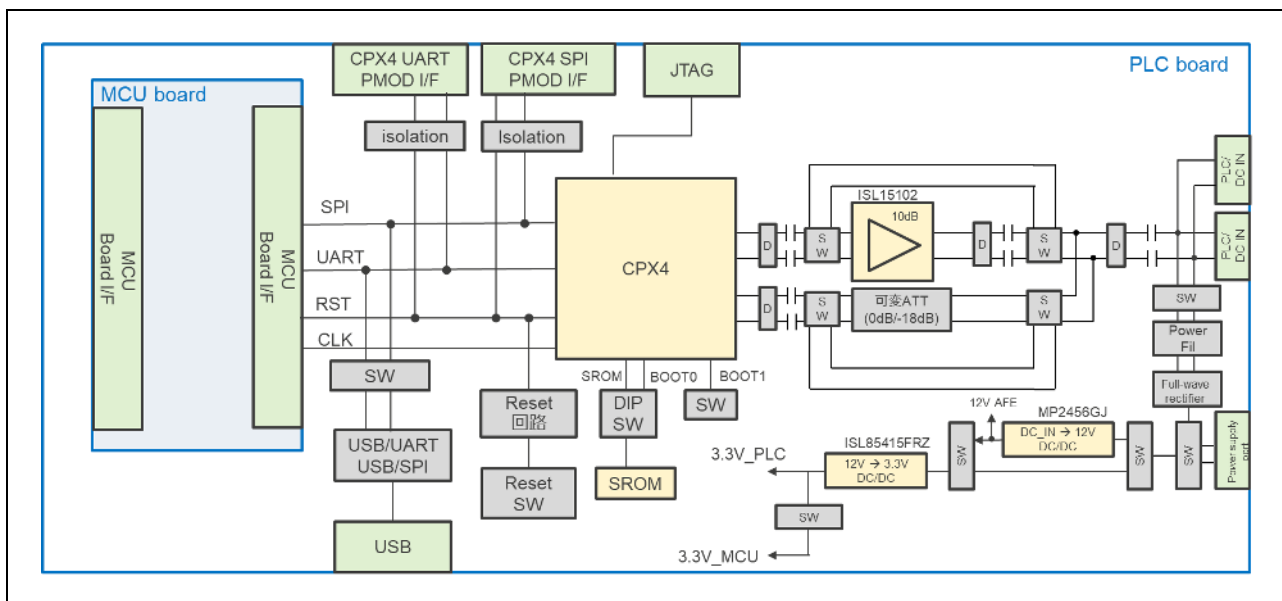


Figure 1-2 DC-PLC Board Block Diagram

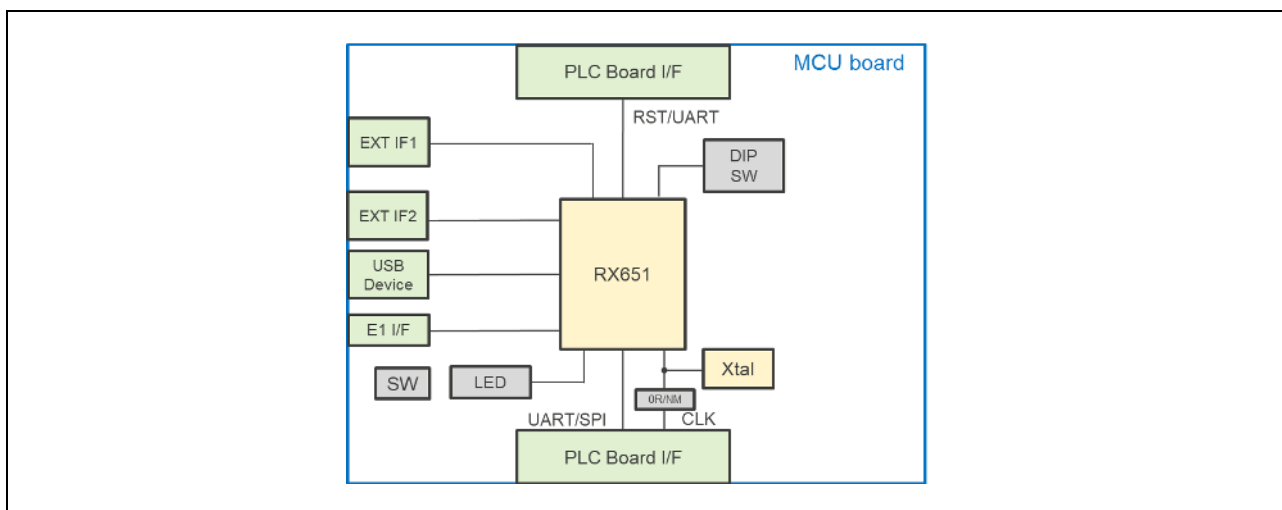


Figure 1-3 RX651 MCU Board Block Diagram

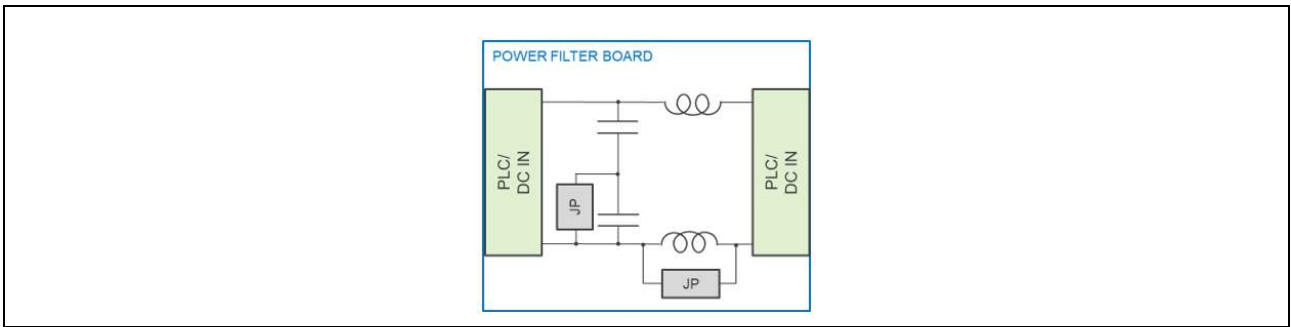


Figure 1-4 Power Filter Board Block Diagram

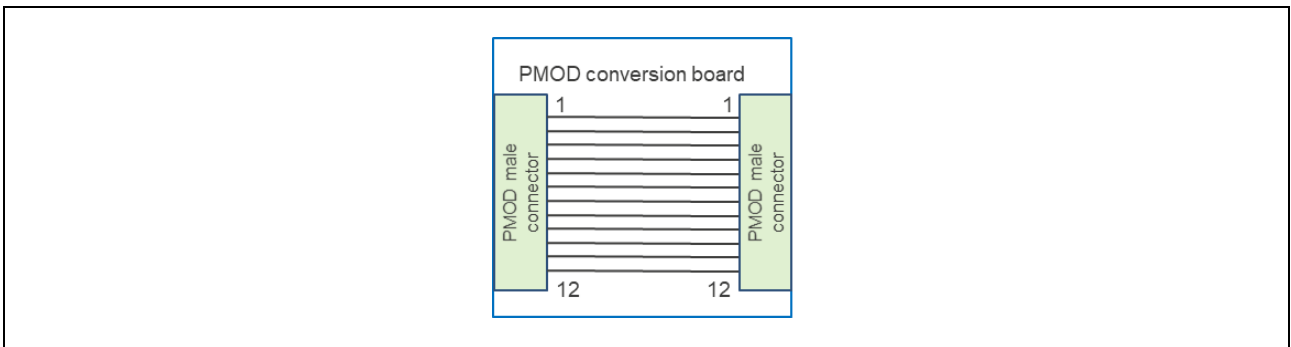


Figure 1-5 PMOD Conversion Board Block Diagram

1.3 To begin evaluating DC-PLC communications

This section describes the required hardware and software to start evaluating DC-PLC communication using this evaluation kit. Obtain the latest version of the PHY-evaluation tool (CPX4 SimpleMAC GUI) and various manuals from the download site that Renesas informed when the user registered as the PLC user. Information such as circuit diagrams and the latest version of the bill of materials can also be obtained if necessary. For the download site, refer to the "Precautions for Use" included with this evaluation kit.

1.3.1 Items required for DC-PLC communication Evaluation

The items required for evaluating DC-PLC communication in a basic configuration with two evaluation kits are shown below. When adding evaluation kits, please prepare additional items together. Refer to Chapter 2 for the connection method.

Table 1-3 Hardware that requires preparation

Product name	Number of units required	Remarks
DC-PLC board (supplied with this kit)	2 units	
Power filter board (supplied with this kit)	1 unit	Required when DC voltage is applied to the communication line.
PC (PC with USB port)	2 units	When evaluating communication performance, it is recommended that each DC-PLC board be connected to a separate PC.
USB cable (included in this kit)	2 pcs	
AC adapter (16-48V/1A or higher recommended)	2 units	Not required when powering DC-PLC board from the communication line
Power supply for communication line (16-48V/0.5A or higher recommended)	1 unit	Required when DC voltage is applied to the communication line.
RX651 MCU board (included with this kit)	2 units	Required when using an application that uses the RX651.
On-chip debugger	1 unit	Required when using an application that uses the RX651.

Table 1-4 Software that requires preparation

Product name	Remarks
CPX4 SimpleMAC GUI (PHY evaluation tool)	DC-PLC communication is evaluated using CPX4 SimpleMAC GUI from a PC connected to DC-PLC board. CPX4 SimpleMAC GUI can be downloaded from our website. For details on how to start and operate CPX4 SimpleMAC GUI, refer to the manuals on the downloaded website.
Driver for virtual serial port	The driver for the virtual serial port must be installed for the PC to be connected to DC-PLC board. For details, refer to chapter 3.1.14
Renesas Flash Programmer	Required when using an application that uses the RX651. Please download from the URL below. Renesas Flash Programmer (Programming GUI) Renesas

2. HOW TO USE

This chapter describes how to use DC-PLC board. For descriptions of the connectors, SWs and JPs parts of each board, refer to Chapter 3 Interface specifications and SW/JP switching.

2.1 How to supply DC voltage to DC-PLC board

There are two ways to supply DC voltage to the DC-PLC board: from the communication line and from the AC adapter.

Table 2-1 shows the settings for the respective power supply methods.

Table 2-1 Setting of DC voltage power supply method

DC-PLC board DC voltage power supply method		Board setting
1	Powering DC voltage from communication line: DC voltage is supplied to the board from the communication line connected to CN2 or CN3.	JP14: LINE (Short-circuit: 1-2) JP13: Short JP15: Short
2	Powering DC voltage from AC adapter: DC voltage is supplied to the board from the AC adapter connected to CN4	JP14: EXT-side (Short-circuit: 2-3) JP13: Short JP15: Short

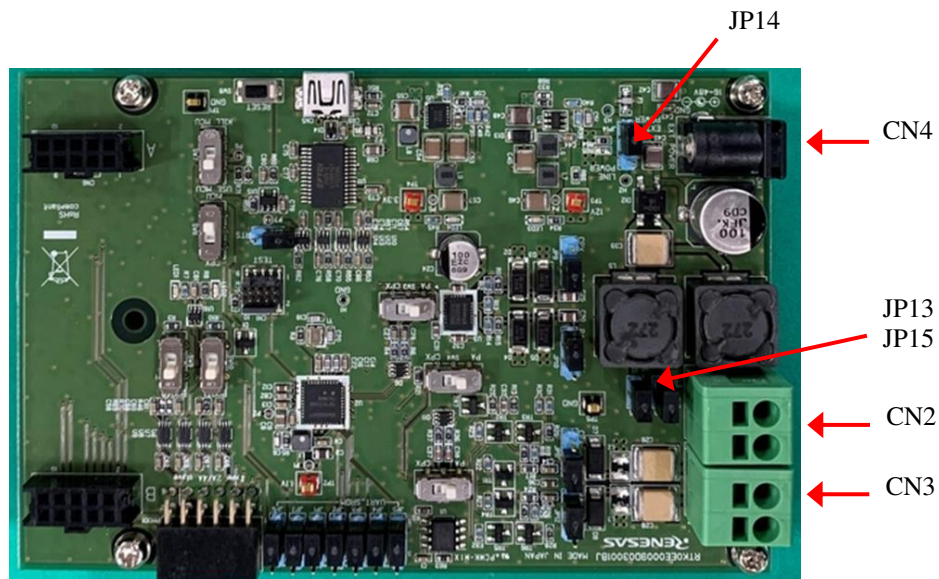


Figure 2-1 DC voltage Power supply method setting point

2.2 Connecting Communication Lines

Connect DC-PLC boards through CN2, CN3. To apply DC voltage to the communication line, connect the power filter board between the power supply and the communication line. The Power filter board functions as an impedance upper function and a filter function for removing PLC signals for the DC power supply source.

Figure 2-2 shows the configuration for supplying DC voltage from the communication line, and Figure 2-3 and Figure 2-4 show the configuration for supplying DC voltage from the AC adapter.

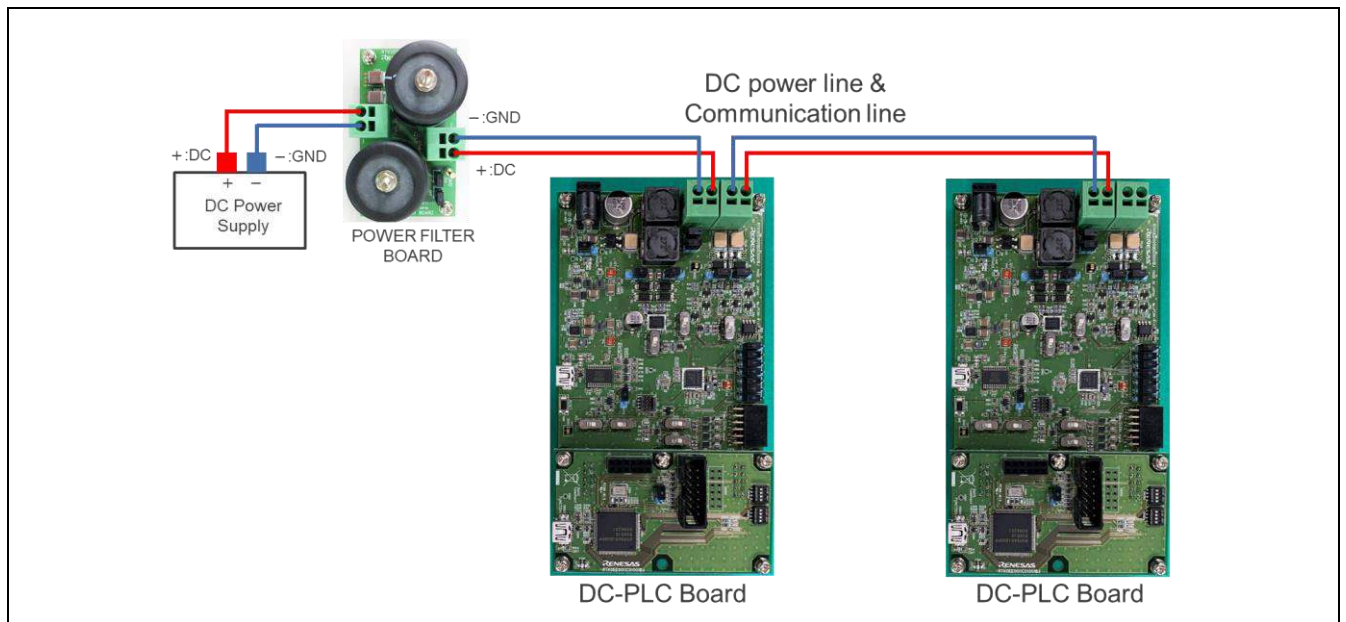


Figure 2-2 Connection example when voltage is applied to communication line (Board power is supplied from communication line)

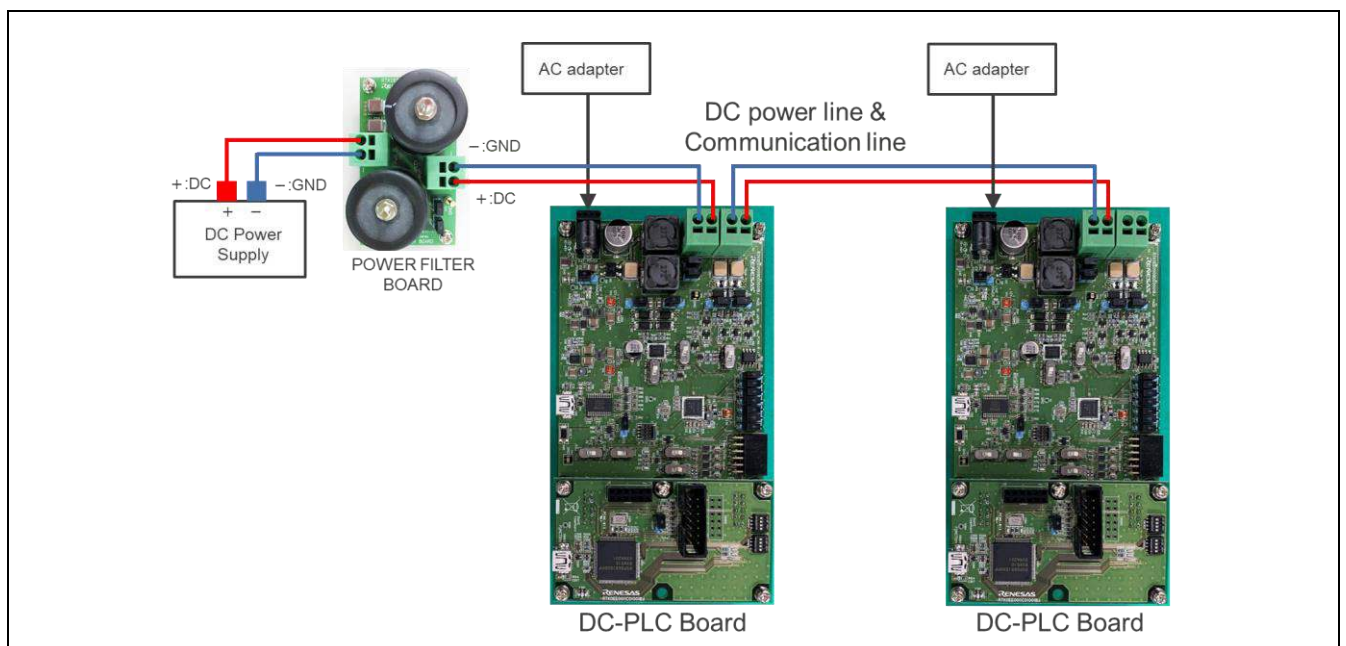


Figure 2-3 Connection example when voltage is applied to communication line (Board power is supplied from AC adapter)

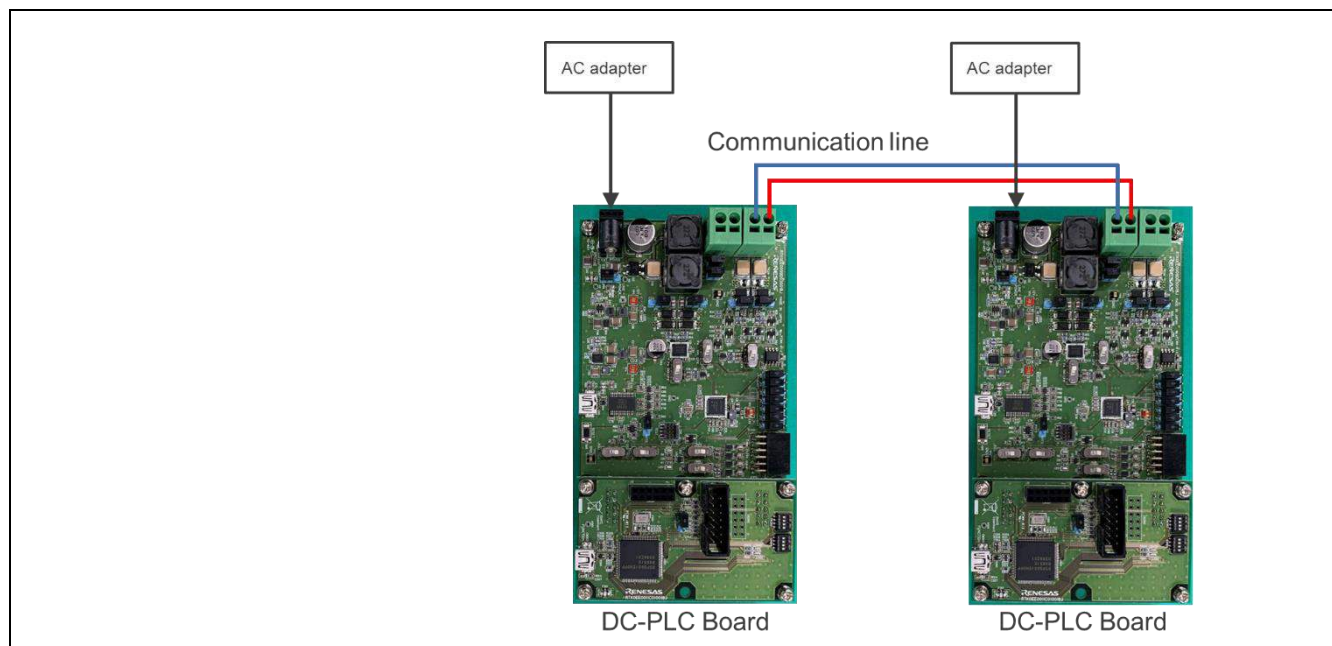


Figure 2-4 Connection example when no voltage is applied to communication line (Board power is supplied from AC adapter)

2.3 Selection of drive method

For DC-PLC board, two types of PLC-signal drive methods can be selected: CPX4 direct drive (hereafter CPX drive) and CPX4+PA drive (hereafter PA drive). Figure 2-5 shows the differences between the drive methods.

For CPX drive, the PLC signal from CPX4 is output as is. In the PA drive, the PLC signal from CPX4 is amplified by the transmission amplifier and is outputted. And the CPX drive signal is directly input to CPX4. In PA drive mode, the received signal is input to CPX4 via the receiving amplifier. The PA drive is used when the output level is 10dB higher than that of the CPX drive and the number of connected units is large or the communication distance is long.

Figure 2-6 shows the setting positions on board of the drive method. Table 2-2 shows the setting conditions.

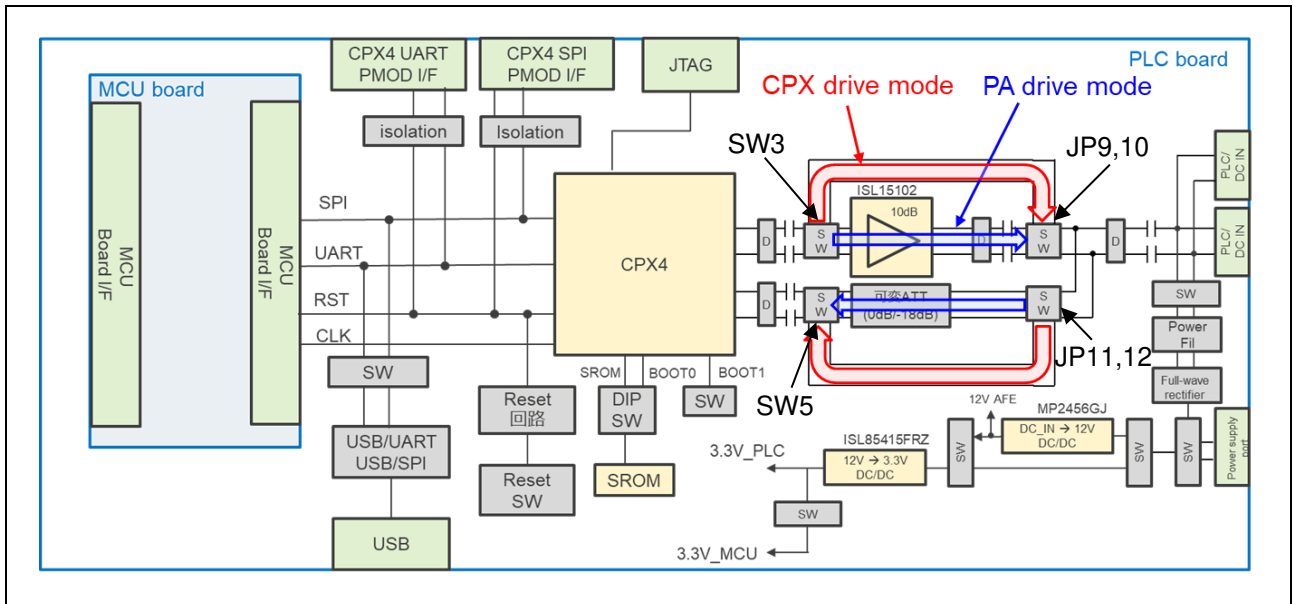


Figure 2-5 CPX drive and PA drive

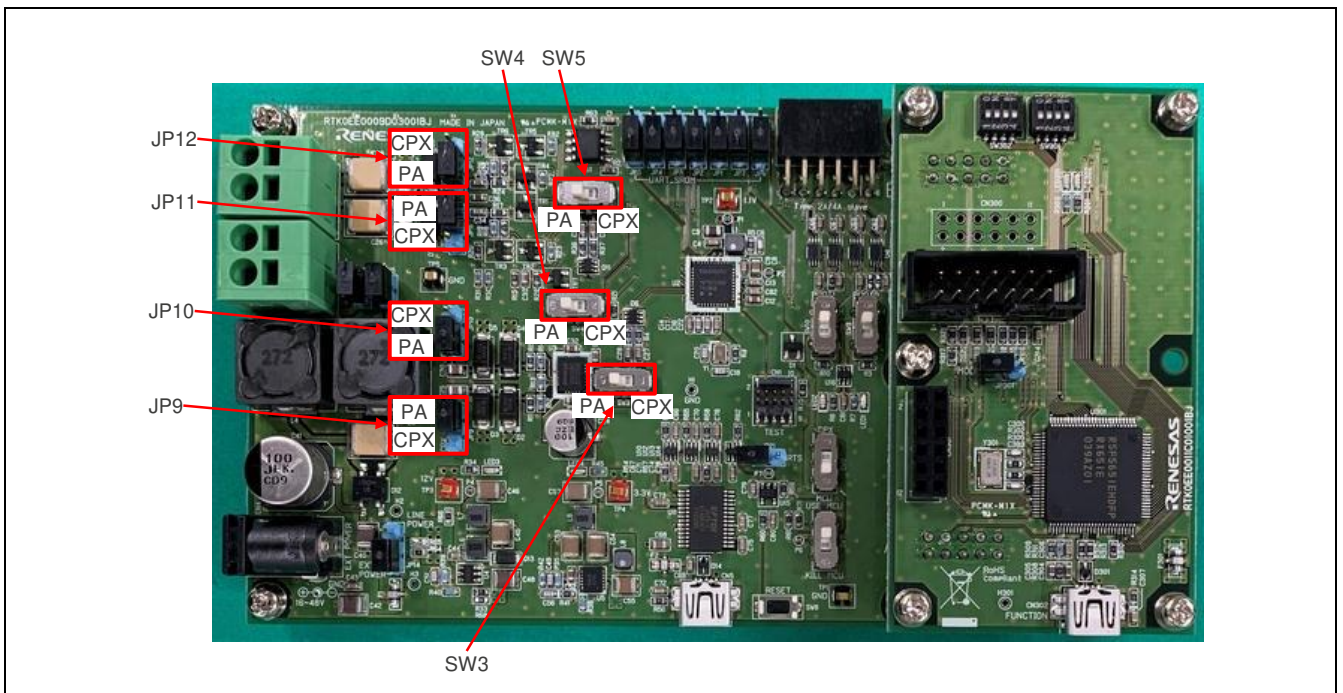


Figure 2-6 Drive method setting points

Table 2-2 Drive method settings

Target connectors, JP, SW	CPX drive setting	PA drive setting
SW3	CPX side	PA side
SW4	CPX side	PA side
SW5	CPX side	PA side
JP9, JP10	CPX side	PA side
JP11, JP12	CPX side	PA side

2.4 Methods for evaluating DC-PLC communications using CPX4 SimpleMAC GUI

The evaluation environment of DC-PLC communication using CPX4 SimpleMAC GUI is shown in Figure 2-7. For more information about board set and how to launch CPX4 SimpleMAC GUI, see the manual and the Quick Start Guide of CPX4 SimpleMAC GUI.

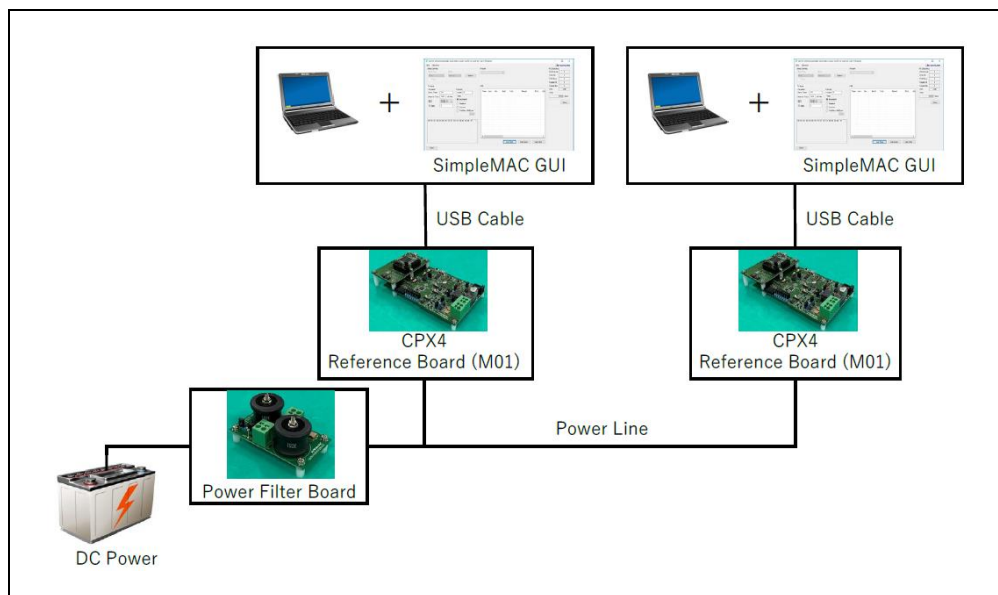


Figure 2-7 DC-PLC communication evaluation environment using CPX4 SimpleMAC GUI

The procedure for setting the evaluation environment is as follows.

- 1) Connect the USB cable to the USB port of the PC and the USB port (CN5) of the DC-PLC board.
- 2) Supply DC power to the DC-PLC board by referring to Chapter 2.1. At this time, check that the connection between the DC power supply and the DC-PLC board is correct.
- 3) Apply voltage to the DC power supply.
- 4) Launch the CPX4 SimpleMAC GUI on user's PC. For the subsequent settings, refer to the CPX4 SimpleMAC GUI User's Manual.

3. Interface specifications and SW/JP switching

This chapter describes the interface specifications and SW and JP switching of this product.

3.1 DC-PLC Board

This section explains the interface specifications and SWs/JPs settings of DC-PLC board.

3.1.1 Explanation of Connectors, SWs and JPs of DC-PLC Boards

Figure 3-1 shows the arrangement of the connectors, SWs, and JPs, and Table 3-1 shows the usage.

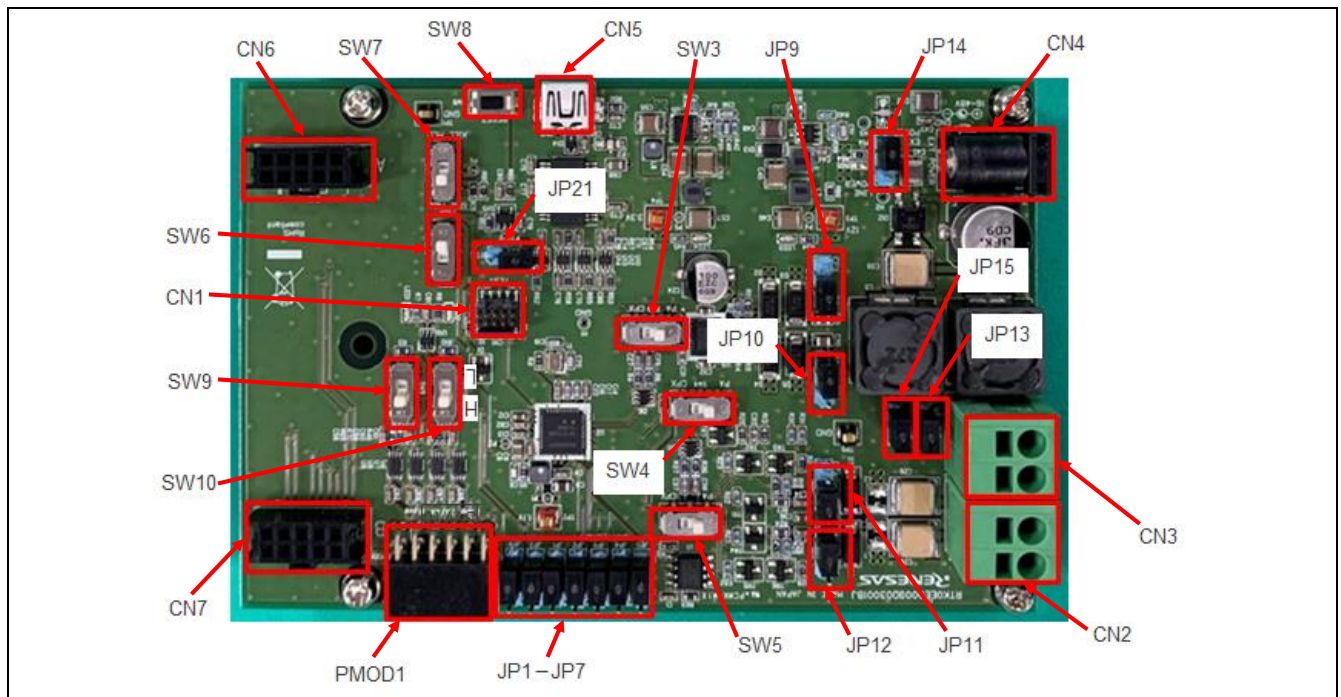


Figure 3-1 Connectors, JPs, and SWs of DC-PLC board

Table 3-1 Usages of connectors, JPs, and SWs for DC-PLC board

Connector, JP, SW name	Use
SW3, SW4, SW5, JP9, JP10, JP11, JP12	JPs and SWs for drive method switching
SW9, SW10	SWs for boot setting switching
SW6	SW for UART-USB switching
SW7	SW for MCU Enable/Disable switching
SW8	Reset SW
JP1, JP2, JP3, JP4, JP5, JP6, JP7	JPs for connection switching between UART_SROM interface and SPI interface
JP13, JP15	JPs that connect the line power supply and the voltage generator
JP14	JP for switching between line power supply (CN2,3) or external power supply (CN4)
JP21	JP for switching external reset function via USB
CN1	Connector for JTAG of CPX4
CN2, CN3	Connectors for DC-PLC communication and line power supply
CN4	Connector for external power supply
CN5	USB connector for serial communication
CN6, CN7	Connector for RX651MCU board connector

3.1.2 LED (LED1, LED2, LED3, LED4)

DC-PLC board contains several LEDs that indicate the state.

- LED for PLC modem LSI signal: LED indicating the state of PLC modem LSI (2 locations)
 - LED1: When sending packets *1
 - LED2: When packets are received *1
- Power-side LED: LED indicating power supply status (2 locations)
 - LED3: Lights when power is supplied to the 12V power supply.
 - LED4: Lights when power is supplied to the 3.3V power supply.

Note*1: Depends on Boot F/W port-setting

3.1.3 JP1, JP2, JP3, JP4, JP5, JP6, JP7 for connection switching between UART_SROM interface and SPI interface

JP1 to P7 are the connection switching between UART_SROM interface and SPI interface. The factory default is UART_SROM interface. Table 3-2 shows the switching setting of JPs.

Table 3-2 UART_SROM/SPI interface switching setting.

Interface	Jumper setting
UART_SROM (factory default)	JP1to JP7 are short-circuited to 1-2.
SPI	JP1to JP7 are short-circuited to 2-3

3.1.4 JP/SW (JP9, JP10, JP11, JP12, SW3, SW4, SW5) for drive method switching

There are two types of DC-PLC board CPX-drive and PA-drive. For switching of the drive method, refer to Chapter 2.3 Selection of drive method.

3.1.5 JP(JP13, JP15) that connect the line power supply and the voltage generator

JP13 and JP15 are JPs for connecting the power supply line and the voltage generator when DC power is supplied from the communication line. When supplying DC power from the communication line, short-circuit JP13 and JP15.

3.1.6 JP for power supply switching (JP14)

JP (JP14) for power supply switching is used to switch the power supply method of the power supply.

Select power supply from the PLC connector (CN2, CN3) or the power connector (CN4). The settings are shown in Table 3-3.

Table 3-3 JP setting for power supply switching

Power supply method	Jumper setting	Description
PLC-connector (CN2, CN3)	JP14: 1-2 Short-circuited	Power is supplied from the PLC connector (communication line)
Power connector (CN4)	2-3 Short circuit	Power is supplied from the power connector (external power supply)

3.1.7 JP (JP21) for switching external reset function via USB

JP21 is JP for switching the external reset function via USB. When using the RTS signal via USB as an external reset, set JP21 to short-circuit.

3.1.8 Serial communication selector switch (SW6)

SW6 is used to select the MCU (RX651) or CPX4 for the serial port to be connected to the USB connector (CN5). For more information, see section 3.1.14.

3.1.9 Switch for selecting enable/disable of MCU (RX651) (SW7)

The selection switch (SW7) enables/disables the control from the MCU (RX651) to CPX4. The setting of SW7 is shown in Table 3-4. When using CPX4 SimpleMAC GUI, disable the MCU (factory default).

Table 3-4 MCU(RX651) enable/disable setting (SW7)

MCUstatus	SW7 Setting	Function
MCU disabled (factory default)	KILL MCU	MCU (RX651) disabled CPX4 is controlled from PCs using CN5 USBs Resetting CPX4 is controlled by SW8.
MCU enabled	USE MCU	MCU (RX651) are enabled CPX4 is controlled from MCU (RX651) Resetting of CPX4 is controlled by the MCU (RX651).

3.1.10 Reset switch (SW8)

The reset switch (SW8) is a push switch for system reset. Press this button (SW8) to initialize CPX4 and MCU (RX651).

3.1.11 BOOT setting switch (SW9, SW10)

SW9 and SW10 are set to the selection switch of the BOOT method (UART/SROM/SPI). UART is a BOOT method using UART communication, the SPI is a BOOT method using SPI communication, and SROM is a BOOT method from SROM installed in the evaluation kit. The factory default is UART Boot. Table 3-5 shows the switching pattern of SWs.

Table 3-5 CPX4 Boot Settings

Boot method	Setting
UART (factory default)	Set SW9 (BOOT0) to H and SW10 (BOOT1) to H.
SROM	Set SW9 (BOOT0) to L and SW10 (BOOT1) to H.
SPI	Set SW9 (BOOT0) to H and SW10 (BOOT1) to L.

3.1.12 PLC-connector (CN2, CN3)

The PLC connector (CN2/CN3) connects to the communication power line and supplies power to the board.

3.1.13 Power connector (CN4)

The power connector (CN4) is used when supplying power from the outside, and the AC adapter is connected.

It is recommended that the compatible AC adapter has an outer diameter of $\phi 5.5$ mm, an inner diameter of $\phi 2.1$ mm, a center plus, and an output voltage of 16V-48V and 1A or more.

The AC adapter is not included with this product. Please prepare an AC adapter that complies with the laws and regulations of the environment you use.

3.1.14 USB connector (CN5)

The USB connector (CN5) is used for serial communication with the MCU (RX651) or CPX4 serial port via the FTDI virtual serial port. CN5 connects this product to a PC via a USB cable. Switch the connection destination with SW6. The SW6 settings are shown in Table 3-6.

When using the CPX4 SimpleMAC GUI, select the CPX4 serial port.

Please download the proper USB-to-Serial device driver from the following FTDI website.

<http://www.ftdichip.com/Drivers/VCP.htm>

Table 3-6 SW6 setting for serial communication switching

USB Serial Sets	Setting	connection destination
Communication with the serial port of CPX4 (factory setting)	CPX	CPX4
Communication with the serial port of RX651	MCU	MCU(RX651)

3.1.15 MCU board-connection connector (CN6, CN7)

Table 3-7 and Table 3-8 show the connection with the RX651 MCU board.

Table 3-7 CN6 connectors

Terminal number	Terminal name	Function
1	CPX_RESB	Connected to the P0 terminal of CPX4
2	GND	Connected to GND
3	RXD_MCU	Connected to UART-RX terminal of the MCU
4	GND	Connected to GND
5	TXD_MCU	Connected to UART-TX terminal of the MCU
6	GND	Connected to GND
7	$\overline{\text{RESOUT}}$	Reset signal to the MCU
8	GND	Connected to GND
9	3.3V	3.3V power supply to MCU board
10	3.3V	3.3V power supply to MCU board

Table 3-8 CN7 connectors

Terminal number	Terminal name	Function
1	UART_RXD	Connected to UART-RX/SPI SI terminal of CPX4
2	UART_TXD	Connected to UART-TX/SPI SO terminal of CPX4
3	S_SPI_SC	Connected to SPI CLK terminal of CPX4
4	SPI_SS	Connected to SPI SS terminal of CPX4
5	SPI_REQ	Connected to SPI REQ terminal of CPX4
6	S_CKOUT	Connected to CPX4 clock-out pin.
7	GND	Connected to GND
8	BOOT0	Connected to the BOOT0 terminal of CPX4
9	BOOT1	Connected to the BOOT1 terminal of CPX4
10	3.3V	3.3V power supply to MCU board

3.2 RX651 MCU Board

This section explains the interface specifications and SWs/JPs setting of RX651 MCU board.

3.2.1 Explanation of Connectors, SWs and JPs of RX651 MCU Boards

Figure 3-2 shows the arrangement of the connectors, SWs and JPs, and Table 3-9 shows the usage.

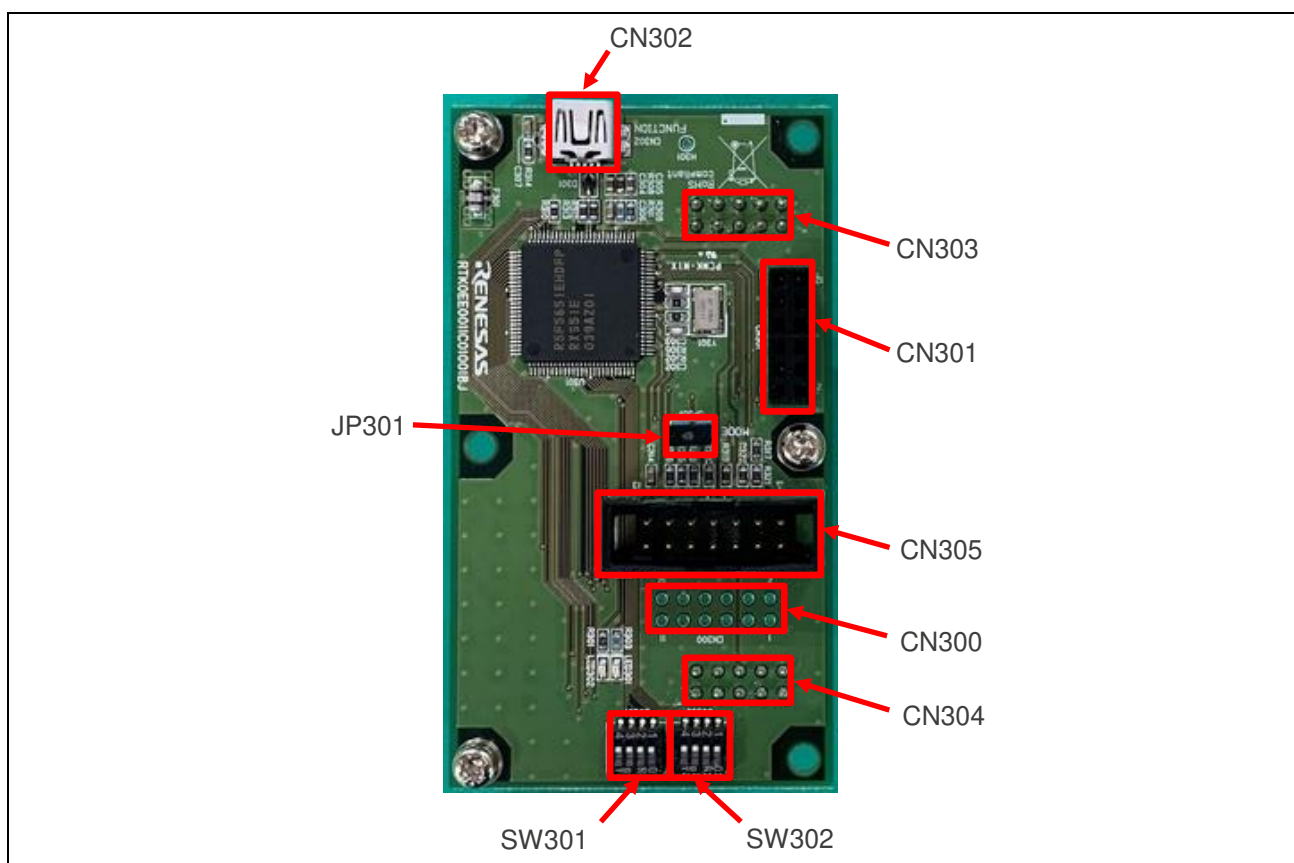


Figure 3-2 Connectors , SWs and JP of RX651 MCU board

Table 3-9 Usages of connectors, SWs and JP for RX651 MCU board

Connector, SW name	Use
SW301, SW302	General-purpose DIP SW for MCU
CN300, CN301	Connector for external expansion
CN302	USB connector
CN303, CN304	Connector for DC-PLC board connector
CN305	Connector for on-chip debugger
JP301	JP for On-chip debugger enable setting

3.2.2 LED (LED301, LED302)

LED301, LED302 are LEDs that can be used when developing applications for MCU (RX651).

3.2.3 MCU(RX651) General-purpose DIP-switch (SW301, SW302)

These are the DIP SWs (SW301, SW302) with the terminal connections of the MCU (RX651) shown in Table 3-19. SW301 and SW302 are SWs that can be used when developing applications for MCU (RX651). When the switch is on, the signal level of the MCU (RX651) is LOW, and when the switch is off, the signal level is HIGH.

(Since there is no pull-up resistor on the MCU board, enable the on-chip pull-up function of RX651.)

3.2.4 JP for program write setting (JP301)

For JP301, the setting varies depending on the program writing method. For details, see chapters 3.2.6 and 3.2.7.

3.2.5 DC-PLC board-connection connector (CN303/CN304)

Table 3-10 and Table 3-11 show the connection with the DC-PLC board.

Table 3-10 CN303 connectors

Terminal number	Terminal name	Function
1	CPX_RESB	Connected to RX651 - P54
2	GND	Connected to GND
3	RXD_MCU	Connected to RX651 - P21/RXD0
4	GND	Connected to GND
5	TXD_MCU	Connected to RX651 - P20/TXD0
6	GND	Connected to GND
7	RESOUT	Connected to RX651 - RES#
8	GND	Connected to GND
9	3.3V	3.3V power supply to MCU board
10	3.3V	3.3V power supply to MCU board

Table 3-11 CN304 connectors

Terminal number	Terminal name	Function
1	UART_RXD	Connected to RX651 - UB/PC7/TXD10
2	UART_TXD	Connected to RX651 - PC6/RXD10
3	S_SPI_SC	Connected to RX651 - PC5/SCK10
4	SPI_SS_C	Connected to RX651 - PC4/SS10
5	SPI_REQ	Connected to RX651 - PC1/IRQ12
6	S_CHKOUT	Connected to RX651 - EXTAL/P36
7	GND	Connected to GND
8	BOOT0	Connected to RX651 - PC2/RXD5
9	BOOT1	Connected to RX651 - PC3/TXD5
10	3.3V	3.3V power supply to MCU board

3.2.6 OCD-connector (CN305)

The OCD connector (CN305) is a connector for connecting an emulator. When connecting to a development tool via an emulator, set the target power supply to operate with "user power supply", and supply line power or external power to the DC-PLC board.

Figure 3-3 shows the connection configuration with the emulator. Table 3-12 shows the terminal information of the OCD connector (CN305).

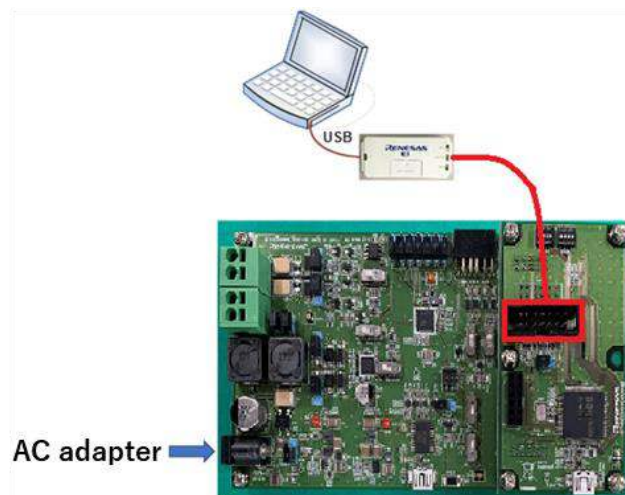


Figure 3-3 Connection configuration with the emulator

Table 3-12 OCD connectors (CN305)

Terminal number	Terminal name	Function
1	TCK	RX651-TCK
2	GND	GND
3	TRST#	RX651-TRST#
4	EMLE	RX651-EMLE
5	TDO	RX651-TDO
6	NC	Open (not connected)
7	MD	RX651-MD
8	VDD	3.3V
9	TMS	RX651-TMS
10	UB	RX651-PC7
11	TDI	RX651-TDI
12	GND	GND
13	RES#	RX651-RES#
14	GND	GND

When writing/erasing programs to the MCU(RX651) via the emulator using the development tool, make the settings shown in Table 3-13. (See the documentation for your emulator for more information.)

Table 3-13 Setting of Firmware update mode

Switch/JP	Setting	Function
JP301	Open	On-chip emulator enable setting
SW7	USE MCU	MCU(RX651) operation mode

3.2.7 USB connector (CN302)

The USB connector (CN302) can be used as a USB function. (Refer to the RX651 user manual for details.)

Table 3-14 shows the USB connector connection.

Table 3-14 CN302 connectors

Terminal number	Terminal name	Function
1	VBUS	Connected to RX651-P16/USB0_BUS
2	D-	Connected to RX651-USB0_DM
3	D+	Connected to RX651-USB0_DP
4	ID	NC
5	GND	Connected to GND

When using the flash programming tool to write/erase programs from CN302 to the MCU in UART boot mode, make the settings shown in Table 3-15. (For details, refer to the manual of the emulator to be used.)

Table 3-15 Settings of USB boot mode

Switch/JP	Setting	Function
JP301	Short circuit	Set the MD pin to low.
SW7	USE MCU	MCU(RX651) Operation mode

3.2.8 Connectors for expansion terminals (CN300/CN301)

Table 3-16 and Table 3-17 show the expansion terminals connected to CN300 / CN301.

Table 3-16 CN300 connectors

Terminal number	Terminal name	Function
1	PC0_MCU	Connected to RX651-PC0
2	PB4_MCU	Connected to RX651-PB4
3	PB3_MCU	Connected to RX651-PB3
4	SPI_SMOSI_MCU	Connected to RX651-PB7
5	PB2_MCU	Connected to RX651-PB2
6	SPI_SMISO_MCU	Connected to RX651-PB6
7	PB1_MCU	Connected to RX651-PB1
8	SPI_SCK_MCU	Connected to RX651-PB5
9	GND_RX	Connected to GND
10	GND_RX	Connected to GND
11	3.3VX	3.3V power supply for external power supply
12	3.3VX	3.3V power supply for external power supply

Table 3-17 CN301 connectors

Terminal number	Terminal name	Function
1	GND_RX	Connected to GND
2	PD7_MCU	Connected to RX651-PD7
3	PD6_MCU	Connected to RX651-PD6
4	PD5_MCU	Connected to RX651-PD5
5	PD4_MCU	Connected to RX651-PD4
6	PD3_MCU	Connected to RX651-PD3
7	GND_RX	Connected to GND
8	PD2_MCU	Connected to RX651-PD2
9	PE7_MCU	Connected to RX651-PE7
10	PE6_MCU	Connected to RX651-PE6
11	PD0_MCU	Connected to RX651-PD0
12	3.3VX	3.3V power supply for external power supply

3.2.9 Control MCU(RX651)

RX651 MCU board is equipped with RX651 as MCU for control. Table 3-18 and Table 3-19 show the connection information of the control MCU terminals.

For unused terminals of the MCU connected to CPX4, set them to the input port. Also, set other unused terminals to the input ports and enable the built-in pull-up function.

Table 3-18 RX651 MCU terminal connection 1/2

Terminal number	Terminal name MCU(RX651) side		Connection destination	Remark (Recommended setting when not in use)
1	AVCC1	-	3.3V	-
2	EMLE	-	CN305-4	-
3	AVSS1	-	GND	-
4	PJ3	I	-	If it is not used, set it to the input port and enable the on-chip pull-up.
5	VCL	-	Stabilization capacity (0.22uF)	-
6	VBATT	-	3.3V	-
7	MD/FINED		C305-7 / JP301-1	-
8	XCIN		Pull-down resistor	-
9	XCOU		-	-
10	RES#		CN305-13 and CN303-7	-
11	XTAL/P37		24 MHz crystal	-
12	VSS	-	GND	-
13	EXTAL/P36	-	24 MHz crystal	-
14	VCC	-	3.3V	-
15	P35/NMI	I	Pull-down resistor	Input port when not used
16	TRST#/P34	I	CN305-3	Input port when not used
17	P33	I	-	Built-in pull-up when not in use
18	P32	I	-	Built-in pull-up when not in use
19	TMS/P31	I	CN305-9	Input port when not used
20	TDI/P30	I	CN305-11	Input port when not used
21	TCK/P27	I	CN305-1	Input port when not used
22	TDO/P26	I	CN305-5	Input port when not used
23	P25	I	-	Built-in pull-up when not in use
24	P24	O	LED302	Built-in pull-up when not in use
25	P23	O	LED301	Built-in pull-up when not in use
26	P22	I	-	Built-in pull-up when not in use
27	P21/RXD0	I	CN303-3	Built-in pull-up when not in use
28	P20/TXD0	O	CN303-5	Built-in pull-up when not in use
29	P17/SDA2	I/O	-	Input port when not used
30	P16/SCL2	O	CN302-1	Built-in pull-up when not in use
31	P15	I	-	Built-in pull-up when not in use
32	P14	O	-	Built-in pull-up when not in use
33	P13/SDA0	I/O	-	Input port when not used
34	P12/SCL0	O	-	Input port when not used
35	VCC_USB	-	3.3V	-
36	USB0_DM	I/O	CN302-2	-
37	USB0_DP	I/O	CN302-3	-
38	VSS_USB	-	GND	-
39	P55	I	-	Built-in pull-up when not in use
40	P54	I	CN6-1 / CN303-1 / SW7-1	Built-in pull-up when not in use
41	P53	I	-	Built-in pull-up when not in use
42	P52	I	-	Built-in pull-up when not in use
43	P51	I	-	Built-in pull-up when not in use
44	P50	I/O	-	Input port when not used
45	PC7/UB	I	CN304-1 / CN305-10	Input port when not used
46	PC6	I/O	CN304-2	Input port when not used
47	PC5	I/O	CN304-3	Input port when not used
48	PC4	I/O	CN304-4	Built-in pull-up when not in use
49	PC3	I/O	CN304-9	Built-in pull-up when not in use
50	PC2	I/O	CN304-8	Built-in pull-up when not in use

Table 3-19 RX651MCU terminal connection 2/2

Terminal number	Terminal name MCU(RX651) side		Connection destination	Remark (Recommended setting when not in use)
51	PC1	I/O	CN304-5	Built-in pull-up when not in use
52	PC0	O	CN300-1	Output HIGH when not in use
53	PB7	O	CN300-4	Input port when not used
54	PB6/	I/O	CN300-6	Input port when not used
55	PB5	I	CN300-8	Built-in pull-up when not in use
56	PB4	I	CN300-2	Built-in pull-up when not in use
57	PB3	I	CN300-3	Built-in pull-up when not in use
58	PB2	I/O	CN300-5	Built-in pull-up when not in use
59	PB1	I/O	CN300-7	Built-in pull-up when not in use
60	VCC	-	3.3V	-
61	PB0	I/O	-	Built-in pull-up when not in use
62	VSS	-	GND	-
63	PA7	I/O	-	Input port when not used
64	PA6	I/O	-	Input port when not used
65	PA5	O	-	Input port when not used
66	PA4	I/O	RX651-70	Input port when not used
67	PA3	I/O	-	Built-in pull-up when not in use
68	PA2	I	-	Built-in pull-up when not in use
69	PA1	O	-	Built-in pull-up when not in use
70	PA0	I	RX651-66	Built-in pull-up when not in use
71	PE7	I	CN301-9	Built-in pull-up when not in use
72	PE6	I	CN301-10	Built-in pull-up when not in use
73	PE5	I	-	Built-in pull-up when not in use
74	PE4	I	-	Built-in pull-up when not in use
75	PE3	I	-	Built-in pull-up when not in use
76	PE2	I	-	Built-in pull-up when not in use
77	PE1	I	-	Built-in pull-up when not in use
78	PE0	I	-	Built-in pull-up when not in use
79	PD7	I	CN301-2	Built-in pull-up when not in use
80	PD6	I	CN301-3	Built-in pull-up when not in use
81	PD5	I/O	CN301-4	Built-in pull-up when not in use
82	PD4	I	CN301-5	Built-in pull-up when not in use
83	PD3/IRQ3	I/O	CN301-6	Built-in pull-up when not in use
84	PD2	I/O	CN301-8	Built-in pull-up when not in use
85	PD1	I/O	-	Built-in pull-up when not in use
86	PD0	I/O	CN301-11	Built-in pull-up when not in use
87	P47	I	SW301-4	Built-in pull-up when not in use
88	P46	I	SW301-3	Built-in pull-up when not in use
89	P45	I	SW301-2	Built-in pull-up when not in use
90	P44	I	SW301-1	Built-in pull-up when not in use
91	P43	I	SW302-4	Built-in pull-up when not in use
92	P42	I	SW302-3	Built-in pull-up when not in use
93	P41	I	SW302-2	Built-in pull-up when not in use
94	VREFL0	-	GND	-
95	P40	I	SW302-1	Built-in pull-up when not in use
96	VREFH0	-	3.3V	-
97	AVCC0	-	3.3V	-
98	P07	I	-	Built-in pull-up when not in use
99	AVSS0	-	GND	-
100	P05	I	-	Built-in pull-up when not in use

3.3 Power Filter Board

This section explains the interface specifications and JPs setting of the power filter board.

3.3.1 Explanation of Connectors, JPs and TP of Power Filter Board

Figure 3-4 shows the arrangement of the connectors, JPs and TP, and Table 3-20 shows the usage.

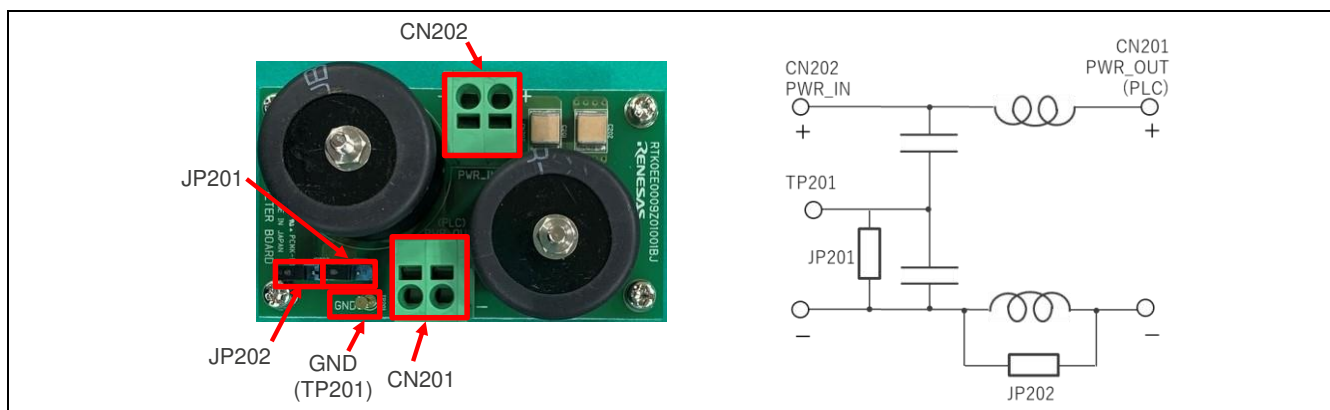


Figure 3-4 Connectors, JPs, and TP of Power filter board

Table 3-20 Usages of Connectors, JPs, and TP for Power Filter Board

Connector, JP name	Use
JP201	Select whether to insert or not a capacitor for power supply filter on Power supply line (+) side.
JP202	Select whether to insert or not an inductor for power supply filter on Power supply line (-) side.
CN201	Communication line connector
CN202	Power supply connector
TP201 (GND pin)	GND pin When supplying DC voltage to both the (+) and (-) sides of the power supply line, be sure to connect the GND pin TP8 to the GND of the power supply.

3.3.2 Power Supply Connector (CN202: Silk Display is PWR_IN)

Connect the power supply connector (CN202) to the power supply side.

3.3.3 Communication line connector (CN201: Silk display is PWR_OUT (PLC))

Connect the communication line connector (CN201) to the communication line (DC-PLC evaluation kit connection) side.

3.3.4 Power-mode setting JP (JP201/JP202)

The power mode setting JP (JP201/JP202) is used to switch the mode of power filter.

For JP201, select whether or not to insert a capacitor for power filter on the power supply line (-) side.

For JP202, select whether or not to insert an inductor for power filter on the power supply line (-) side.

The setting method is shown in Table 3-21.

3.3.5 GND pin TP (TP201)

When supplying DC voltage to both (+) side and (-) side of the power supply line, be sure to connect the GND pin TP201 to the GND of the power supply.

Table 3-21 Setting of JP for power supply mode

Output source	Setting	Function
When DC voltage is connected to the power supply line (+) side and GND is connected to the power supply line (-) side	JP201: Short JP202: Short TP201: Open	Insert the power filter only on the power supply line (+) side.
When DC voltage 1 is connected to the power supply line (+) side and DC voltage 2 is connected to the power supply line (-) side	JP201: Open JP202: Open TP201: Connected to GND	Insert the power filter on the power supply line (+) side and power supply line (-) side.

3.4 PMOD conversion board

This section describes the PMOD conversion board. The PMOD1 connector (connector for Digilent Pmod™ interface) on the DC-PLC board must be a male connector because it is a peripheral module board.

However, the PMOD1 connector is a female connector to avoid risks such as injury and electrostatic damage due to protrusions. Therefore, in order to use the DC-PLC board as a peripheral module board of Pmod™, it is converted from female to male by the PMOD conversion board.

When connecting the PMOD conversion board to the PMOD1 connector, the orientation of the PMOD conversion board can be either PMOD2 side or PMOD3 side. Connect so that Pin 1 dot is on the upper left.

Figure 3-5 shows the PMOD conversion board.

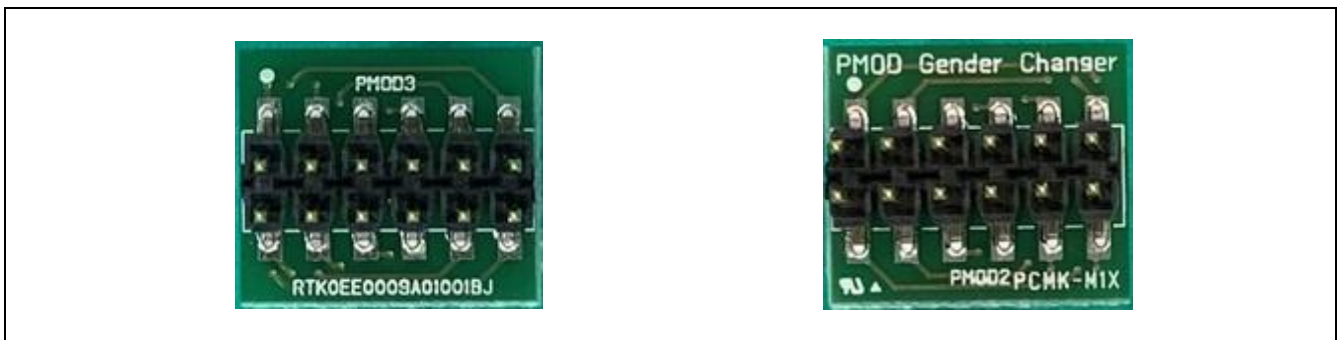


Figure 3-5 PMOD conversion board

4. Appendix

4.1 DC-PLC board communication performance guideline (Reference)

The following is a guideline for the communication performance of this DC-PLC board. It is described based on the in-house evaluation result. Please note that the results will vary depending on the type of communication line, environment, number of connected devices, etc.

Table 4-1 Communication performance guideline

Drive method	CPX drive	PA drive
Maximum number of connected units*2	200 units	210 units
Communication distance *2	800m	1.6km
Power line feeding voltage (input voltage)	DC16~48V	
Transmission line polarity (assuming 2 cores)	Non-polar/polarized	
Transmission line specification	Assuming a product equivalent to AWG12~AWG18 Note that the communication distance and the number of connected units vary depending on the specifications of the transmission line *3	
Transmission line topology	Line, Star	
Frequency	See supported frequencies in Table 1-2	
Transmission output level (Total power in band)	$\geq 109\text{dBuVrms}$	$\geq 119\text{dBuVrms}$
Input impedance	$\geq 1.5\text{k}\Omega$	$\geq 1\text{k}\Omega$
Board Power Supply Voltage 1	12V	12V
Board Power Supply Voltage 2	3.3V	3.3V
Current consumption (during reception/stand-by)	$\leq 16\text{mA}$ (Converted DC24V)	$\leq 17\text{mA}$ (Converted DC24V)

Note *2) When using a cable equivalent to AWG12 (unshielded, 2-cores / 2.0 mm diameter / impedance: 5 Ω / km)

Note *3) Depending on the type of transmission line and communication distance, inserting a terminating resistor between the lines may improve the communication status.

(Example: For the cable used in *2), insert 200 Ω + 1 μ F (for DC cut) into the transmitting end and receiving end)

Revision history	CPX4 DC-PLC Evaluation Kit M01D1 RTK0EE0009D01001BJ User's Manual
------------------	--

Rev.	Date	Description	
		Page	Summary
1.00	July 01, 2021	—	First edition Issued

CPX4 DC-PLC Evaluation Kit M01D1 RTK0EE0009D01001BJ
User's Manual

Publication Date: Rev.1.00 July 01, 2021

Published by: Renesas Electronics Corporation

CPX4 DC-PLC Evaluation Kit M01D1 RTK0EE0009D01001BJ

