

F

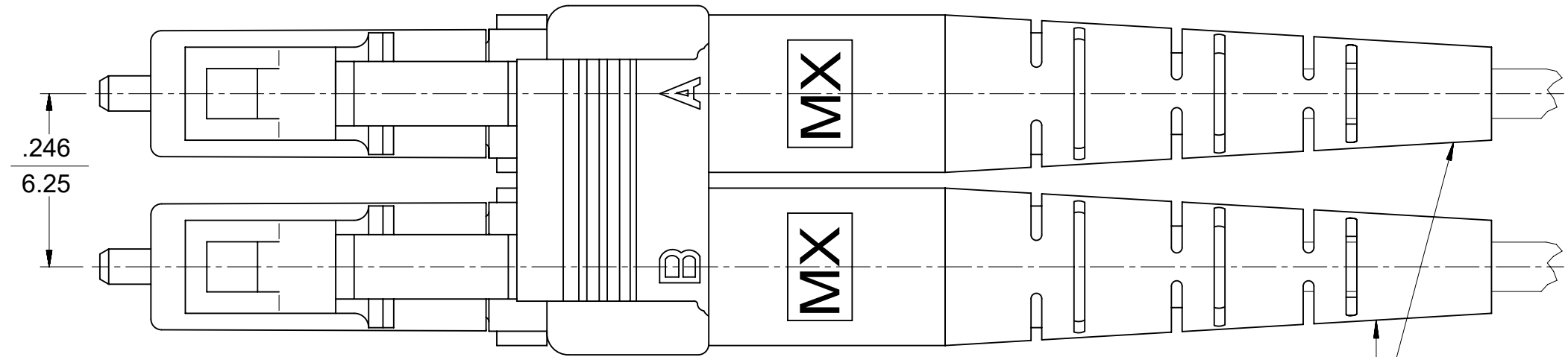
E

D

C

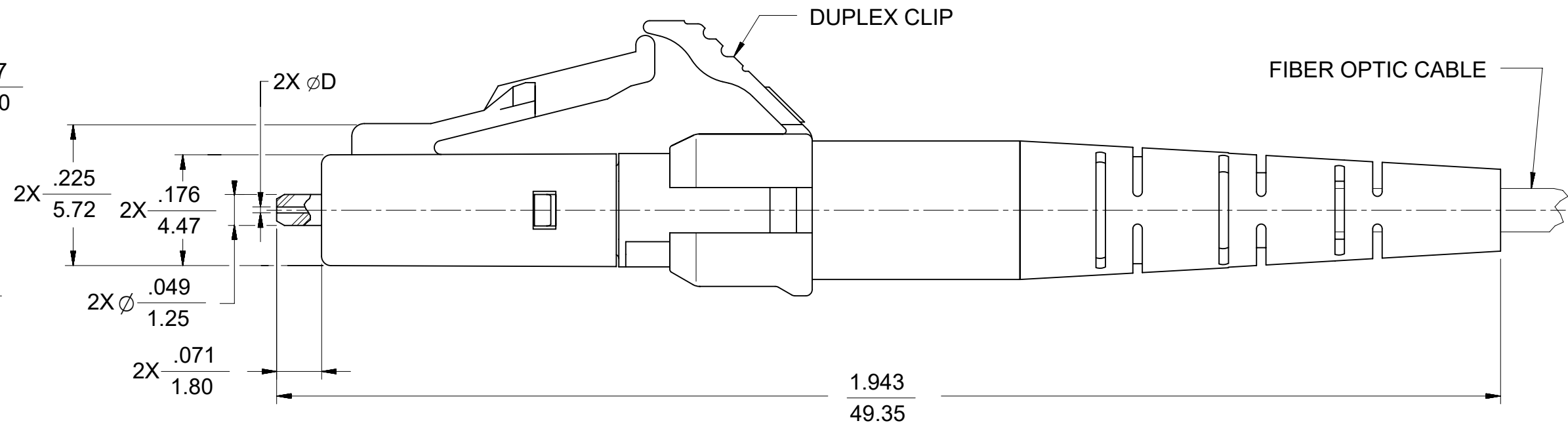
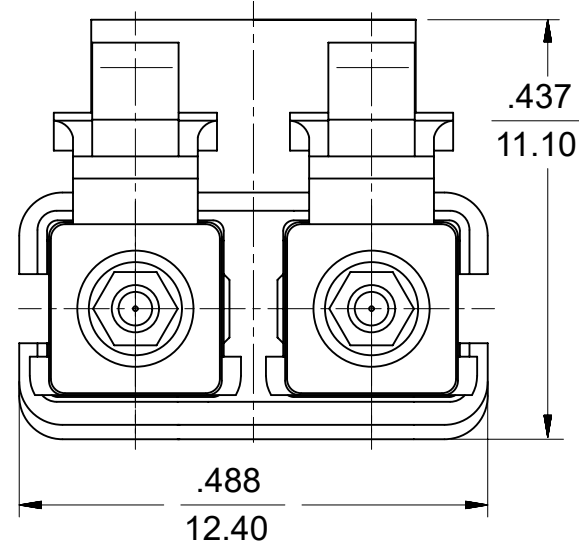
B

A



BOOTS

(DUST CAPS NOT SHOWN)



- NOTES:
- 1. DUPLEX CLIP AND BOOTS SHOULD BE ASSEMBLED AFTER POLISHING OPERATION.
 - *2. P/N 106025-3320 AND 106025-5320 ARE BULK PACKED IN QUANTITIES OF 100 PCS.

THIS DRAWING CONTAINS INFORMATION THAT IS PROPRIETARY TO MOLEX ELECTRONIC TECHNOLOGIES, LLC AND SHOULD NOT BE USED WITHOUT WRITTEN PERMISSION									
DIMENSION UNITS		SCALE		CURRENT REV DESC: OBSOLETE PART NUMBER AS PER PCN#508521				molex	
IN/MM		5:1							
GENERAL TOLERANCES (UNLESS SPECIFIED)				EC NO: 667392				LC DUPLEX CONNECTOR	
4 PLACES		±		DRWN: ABHISP1		2021/04/20		PRODUCT CUSTOMER DRAWING	
3 PLACES		±		CHK'D: GGA		2021/07/05		DOCUMENT NUMBER	
2 PLACES		±		APPR: GGA		2021/07/05		SD-1060DD-DDD0	
1 PLACE		±		INITIAL REVISION:		2005/09/06		DOC TYPE	
0 PLACES		±		DRWN: PGIBLIN				PSD	
ANGULAR TOL ± 0.5°				APPR:				DOC PART	
DRAFT WHERE APPLICABLE MUST REMAIN WITHIN DIMENSIONS				THIRD ANGLE PROJECTION		DRAWING		SERIES	
				B-SIZE		106025		MATERIAL NUMBER	
								CUSTOMER	
								GENERAL MARKET	
								SHEET NUMBER	
								1 OF 2	

6	5	4	3	2	1
CONNECTOR P/N	∅D (µm)	CONNECTOR BODY COLOR	BOOT COLOR	CABLE DESCRIPTION & ∅ (mm)	CABLE TYPE
106025-2000	125.50	BLUE	WHITE	SIMPLEX 1.6	SINGLE MODE
106025-2300			BLACK	SIMPLEX 2.0 ZIPCORD 1.6	
106025-2310					
106025-3000	127.00	BEIGE	WHITE	SIMPLEX 1.6	MULTIMODE
106025-3300				SIMPLEX 2.0 ZIPCORD 1.6	
106025-3320*					
106025-4000	125.00	BLUE	WHITE	SIMPLEX 1.6	SINGLE MODE
106025-4300				SIMPLEX 2.0 ZIPCORD 1.6	
106025-5000	126.00			SIMPLEX 1.6	
106025-5300				SIMPLEX 2.0 ZIPCORD 1.6	
106025-5320*					
106025-6000	125.25	WHITE	SIMPLEX 1.6		
106025-6300			SIMPLEX 2.0 ZIPCORD 1.6		

THIS DRAWING CONTAINS INFORMATION THAT IS PROPRIETARY TO MOLEX ELECTRONIC TECHNOLOGIES, LLC AND SHOULD NOT BE USED WITHOUT WRITTEN PERMISSION

DIMENSION UNITS IN/MM	SCALE 5:1	CURRENT REV DESC: OBSOLETE PART NUMBER AS PER PCN#508521		molex		
GENERAL TOLERANCES (UNLESS SPECIFIED)		EC NO: 667392				
	MM	INCH	DRWN: ABHISP1	PRODUCT CUSTOMER DRAWING		
4 PLACES	±	±	2021/04/20			
3 PLACES	±	±	2021/07/05	DOC TYPE PSD	DOC PART 001	REVISION C
2 PLACES	±	±	CHK'D: GGA	MATERIAL NUMBER SEE TABLE		
1 PLACE	±	±	2021/07/05			
0 PLACES	±	±	APPR: GGA	SHEET NUMBER 2 OF 2		
ANGULAR TOL	±	0.5°	INITIAL REVISION: DRWN: PGIBLIN			
DRAFT WHERE APPLICABLE MUST REMAIN WITHIN DIMENSIONS			2005/09/06	DRAWING A-SIZE		
			APPR:			

DOCUMENT STATUS | P1 | RELEASE DATE | 2021/07/05 | 08:39:14