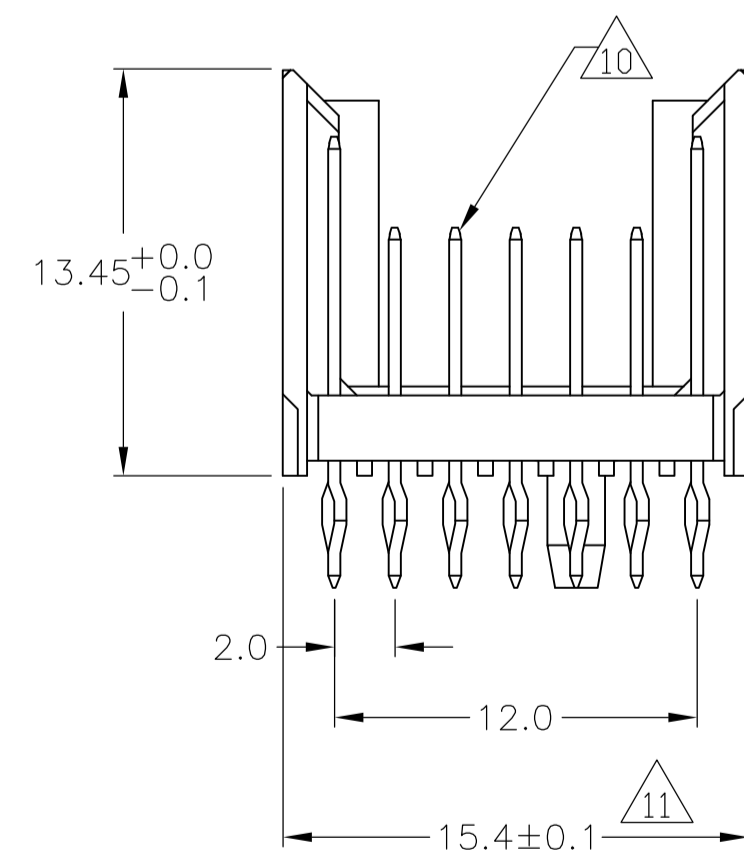
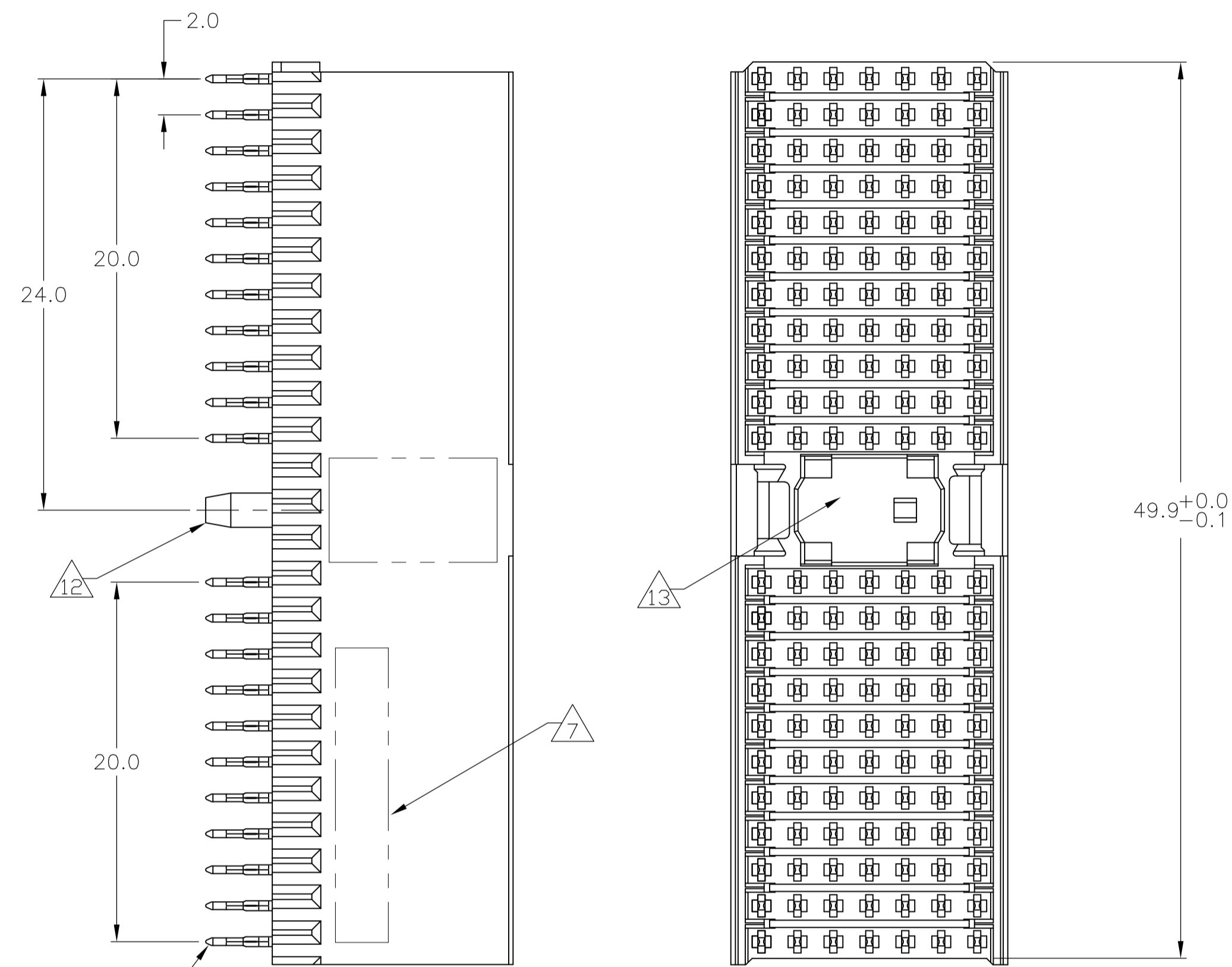
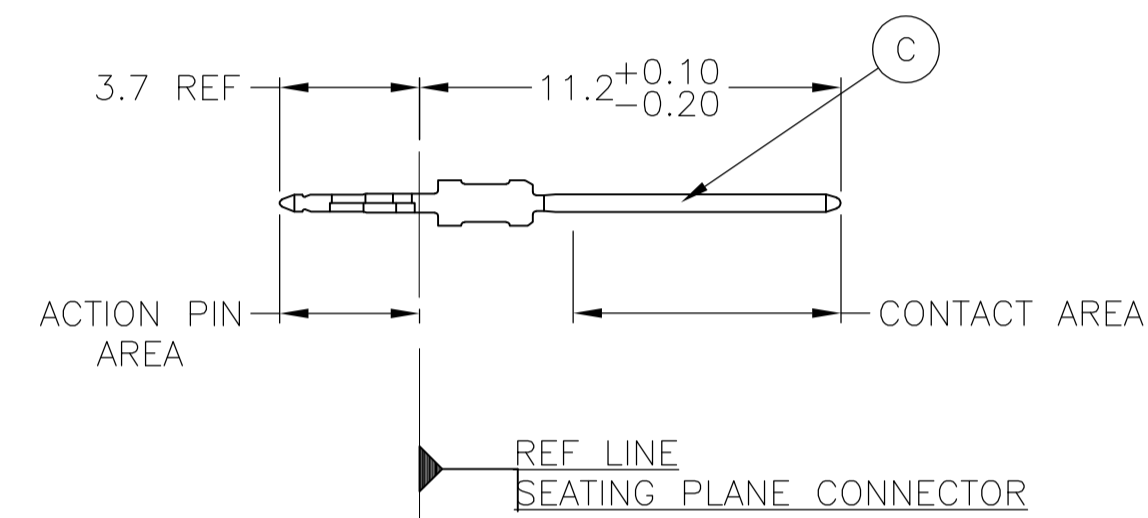
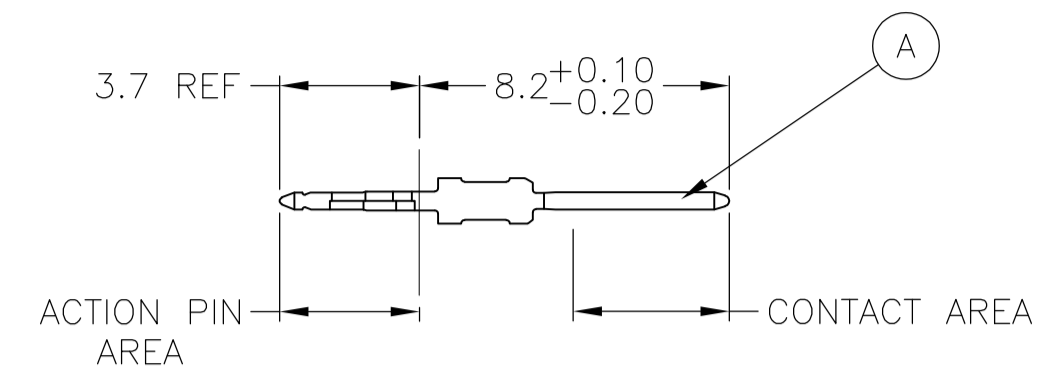


CONNECTOR ASSEMBLY EXAMPLARY LOADED

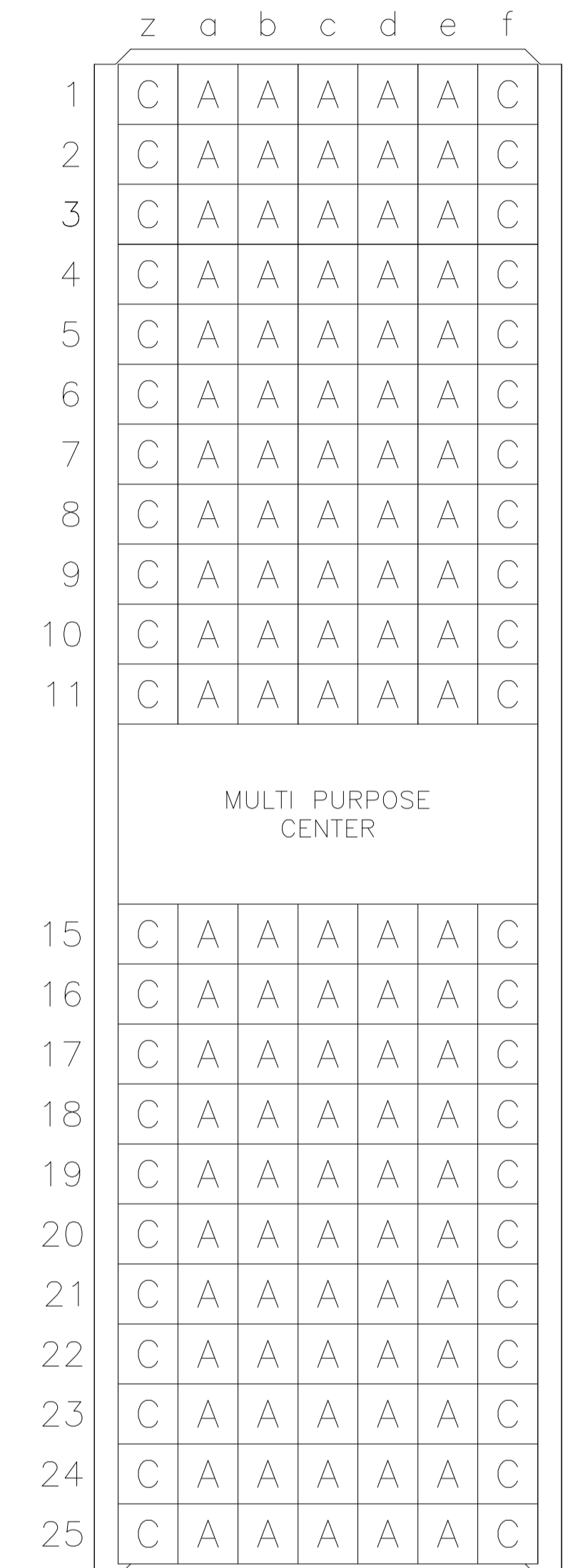


CONTACT DIMENSIONS

SCALE 5:1



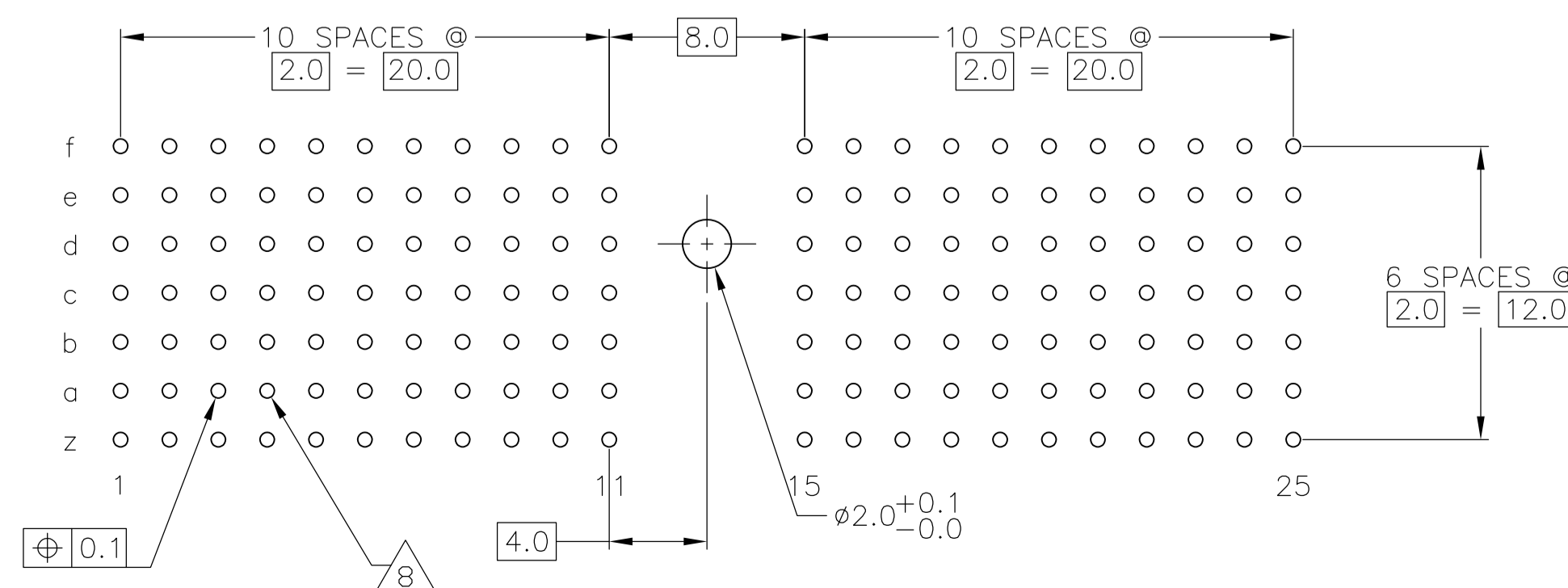
CONTACT LAYOUT



RECOMMENDED PCB-HOLE LAYOUT COMPONENT SIDE SHOWN

PLATED THRU HOLES PARAMETERS

REFERENCE APPLICATION SPECIFICATION




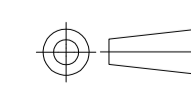
| | | | | |
|----------|--------|---|----|-------------|
| | 2 | 6 | 14 | 1-5100668-9 |
| OBSELETE | 2 | 5 | 14 | 5100668-9 |
| OBSELETE | 2 | 4 | 14 | 5100668-4 |
| | 2 | 3 | 14 | 5100668-1 |
| | FINISH | | | PART NUMBER |

THIS DRAWING IS A CONTROLLED DOCUMENT.

| | | | | |
|----------------|--|---------------------|------------------------|--------------------------------------|
| DIMENSIONS: mm | TOLERANCES UNLESS OTHERWISE SPECIFIED: | DIN B CARBO 24JAN05 | APVD G SKIPPER 24JAN05 | NAME |
| 0-PLC ± | 1-PLC ±0.1 | | | MALE ASSEMBLY, Z-PACK 2mm HM, TYPE A |
| 2-PLC ± | 3-PLC ± | | | 108-19082 |
| 4-PLC ± | ANGLES | | | APPLICATION SPEC 114-19029 |
| MATERIAL | FINISH SEE TABLE | WEIGHT | SIZE A1 | CAGE CODE 00779 |
| | | | DRAWING NO | DRAWING NO 5100668 |
| | | | RESTRICTED TO | |
| | | | CUSTOMER DRAWING | SCALE 4:1 SHEET 1 OF 2 REV D1 |

| LOC | | DIST | | REVISIONS | | | |
|-----|----|------|------|-----------|------|-------------|------|
| AD | 00 | REV | DATE | BY | APPV | DESCRIPTION | DATE |
| - | - | - | - | - | - | SEE SHEET 1 | - |

- 1 MATERIAL:
CONTACT: PHOSPHOR BRONZE.
HOUSING: GLASS-FILLED POLYESTER.
- 2 GENERAL PLATING SPECIFICATION: UNDERPLATING
(ENTIRE CONTACT): 1.27µm MIN NICKEL AND ACTION
PIN: 0.5µm MIN TIN.
FOR PLATING OF MATING SURFACES SEE APPLICABLE
SPECIFICATION REFERENCE FOR EACH DASH NUMBER.
- 3 CONFORMS TO ALL TESTING ACCORDING TO IEC 61076-4-101
PERFORMANCE LEVEL 2.
- 4 CONFORMS TO ALL TESTING ACCORDING TO IEC 61076-4-101
PERFORMANCE LEVEL 1.
- 5 CONNECTOR TESTED AND QUALIFIED AGAINST TELCORDIA GR-1217-CORE QUALITY LEVEL 3,
CENTRAL OFFICE APPLICATIONS.
- 6 CONNECTOR TESTED AND QUALIFIED AGAINST TELCORDIA GR-1217-CORE QUALITY LEVEL 3,
UNCONTROLLED ENVIROMENT APPLICATIONS.
- 7 CONNECTOR MARKED WITH PART NUMBER AND DATE CODE.
ADDITIONAL CHARACTERS OR MARKINGS, AS WELL AS THE LOCATION OF THE MARKINGS,
MAY BE ADDED FOR TRACEABILITY BASED UPON MANUFACTURERS DISCRETION.
- 8 PLATED-THROUGH HOLES AT 2x2mm SQUARE GRID
PATTERN DEFINED BY CONTACT LAYOUT.
- 9 FOR ACTUAL PIN LOADING SEE "CONTACT LAYOUT".
- 10 FOR ACTUAL PIN DIMENSIONS SEE "CONTACT DIMENSIONS".
- 11 TO BE MEASURED AT BOTTOM OF SHROUD.
- 12 POLARIZATION FEATURE.
- 13 AREA RESERVED FOR KEYING PART (BASIC P/N 100525).
- 14 CONNECTOR LUBRICATED WITH BELCORE APPROVED LUBRICANT,
TECHNICAL REFERENCE: TR-NWT-001217 ISSUE 1, SEP 1992.
- 15 OBSOLETE PARTS: OBSOLETE CIS STREAMLINING PER D.RENAUD/D.SINISI

| | | | | | |
|---|--|-----------------------|--|--|--|
| THIS DRAWING IS A CONTROLLED DOCUMENT. | | DIN B CARBO 24JAN05 | |  TE Connectivity | |
| DIMENSIONS: mm | | GSKIPPER 24JAN05 | | | |
| TOLERANCES UNLESS OTHERWISE SPECIFIED: | | APVD GSKIPPER 24JAN05 | | NAME | |
| 0-PLC ± 1-PLC ±0.1 2-PLC ± 3-PLC ± 4-PLC ± ANGLES ± | | PRODUCT SPEC | | MALE ASSEMBLY, Z-PACK 2mm HM, TYPE A | |
|  | | 108-19082 | | SIZE | |
| MATERIAL SEE SHEET 1 | | APPLICATION SPEC | | CAGE CODE DRAWING NO | |
| FINISH SEE SHEET 1 | | 114-19029 | | A1 00779 C=5100668 | |
| WEIGHT | | CUSTOMER DRAWING | | RESTRICTED TO | |
| SCALE 4:1 | | SHEET 2 OF 2 | | REV D1 | |