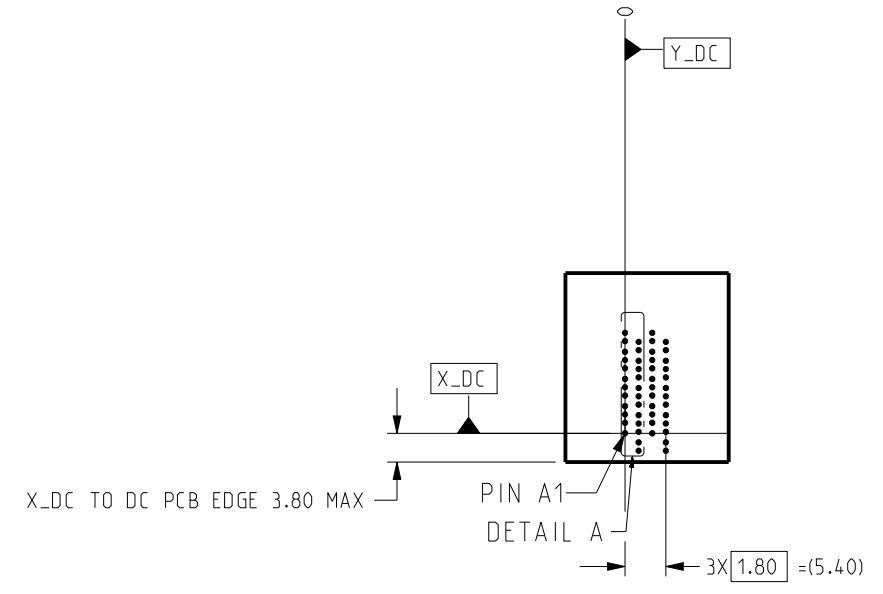
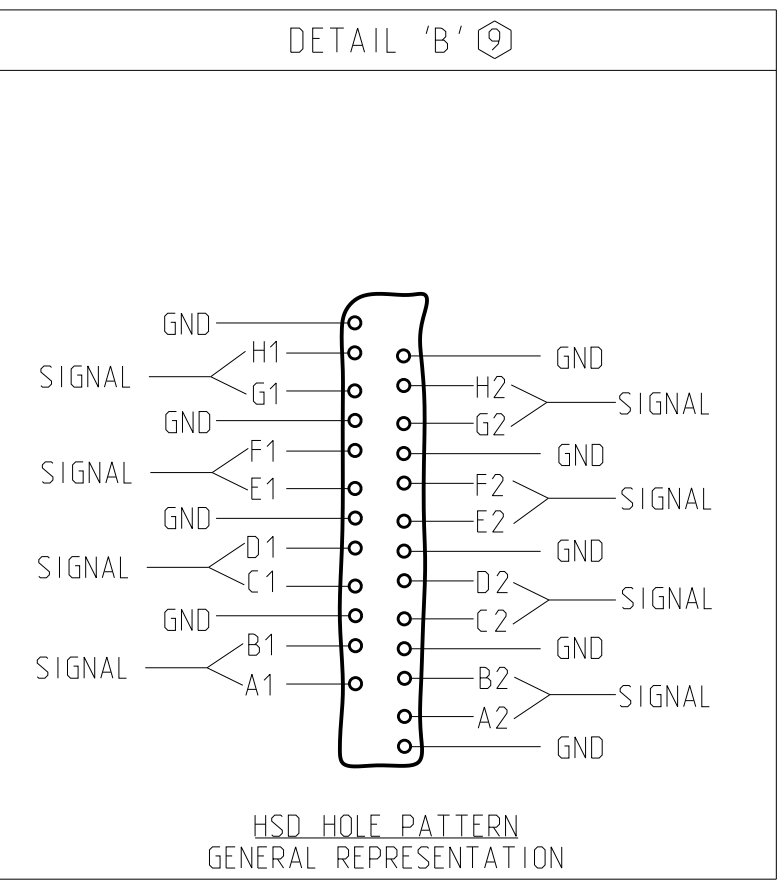
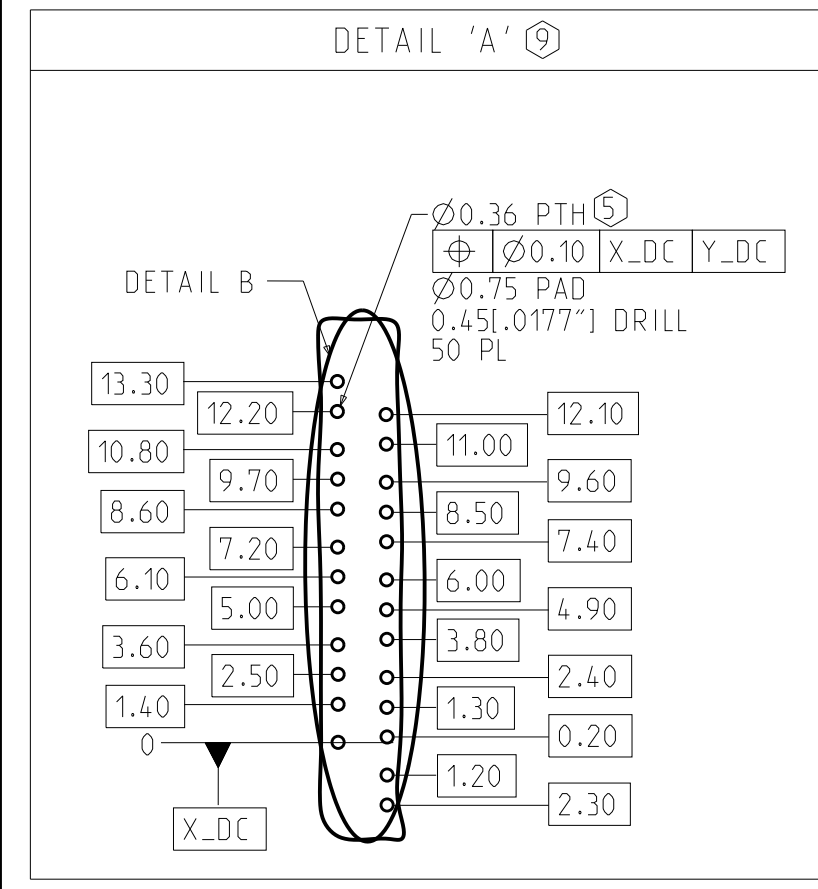
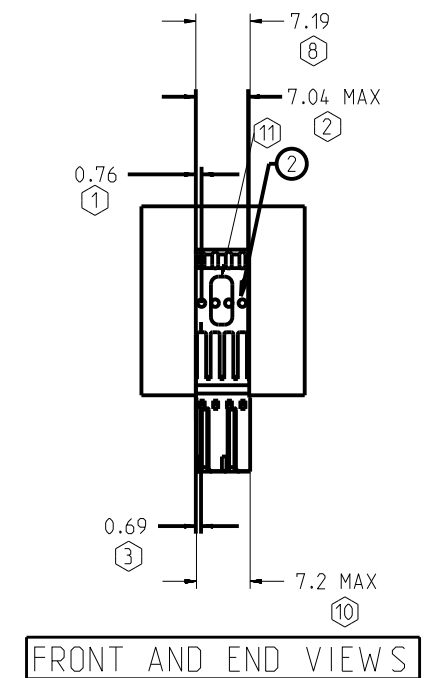


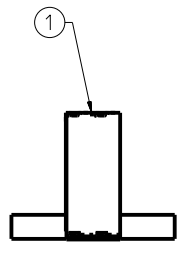
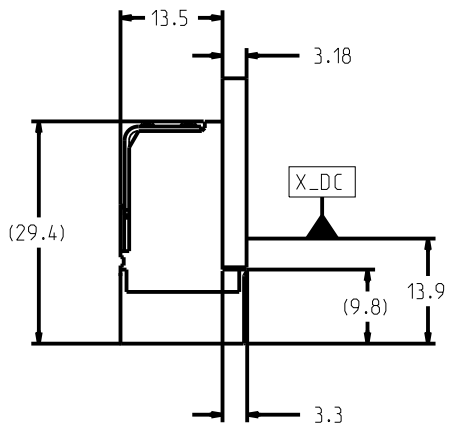
| REV | ECN | DESCRIPTION | BY | DATE | APPROVED |
|-----|---------------|-----------------------|-------|------------|----------|
| A | JLIU-22111516 | RELEASE TO PRODUCTION | J.LIU | 12/02/2022 | J.LIU |



FRONT VIEW - DC HOLE PATTERN ONLY . CONNECTOR SIDE REFERENCED FROM LEFT MOST SIGNAL COLUMN , ALL DIMENSIONS BASIC



FRONT AND END VIEWS



BOTTOM VIEW MODULE LOCATIONS FROM LEFT END OF PLASTIC

| ITEM | PART NUMBER | DESCRIPTION | QTY |
|------|--------------|---|-----|
| 1 | 922-471A-D3H | XCede HD 4PAIR HSD MOD w/ ORGANIZER, 4POS, 1000HMS, BIFURCATED, .0177" DRILL, NANO NI, STD GOLD | 1 |
| 2 | 617-0450-007 | XCede HD 4PAIR STIFFENER | 1 |

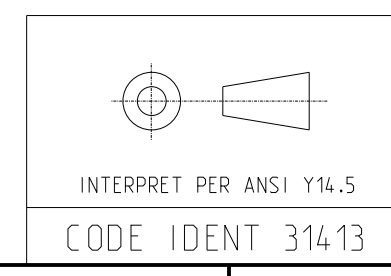
NOTE: SEE FRONT VIEW FOR STIFFENER LENGTH.

NOTES:

- ① DISTANCE FROM FIRST STIFFENER PILOT HOLE TO LEFT END OF STIFFENER.
- ② TOTAL LENGTH OF STIFFENER.
- ③ DISTANCE FROM CENTERLINE OF 1ST COLUMN OF SIGNAL PLATED THRU HOLES TO LEFT EDGE OF STIFFENER.
- ④ MOUNTING SCREWS AND JOINER MODULES (IF PRESENT) TO BE BAGGED WITH EACH CONNECTOR ASSEMBLY.
- ⑤ STATED PAD SIZE MAY REQUIRE FILLETING. SEE TB-2237 FOR ROUTING, HOLE WALL PLATING THICKNESS AND FINISHED HOLE SIZE.
- ⑥ NA.
- ⑦ REFER TO TB-2235 FOR XCede HD PRODUCT SPECIFICATIONS.
- ⑧ OVERALL CONNECTOR LENGTH.
- ⑨ DETAIL VIEWS ARE NOT TO SCALE. DO NOT SCALE DRAWING.
- ⑩ FRONT HOUSING WIDTH. CONNECTORS CAN BE USED IN STACKABLE APPLICATION.
- ⑪ CONNECTOR IS LASER MARKED WITH MANUFACTURING INFORMATION. REFER TO DRAWING C-527-4133-000 FOR MARKING REQUIREMENTS AND DETAILS.

CUSTOMER: DISTRIBUTOR / XHD 4PAIR X 4. HSD 1000HMS

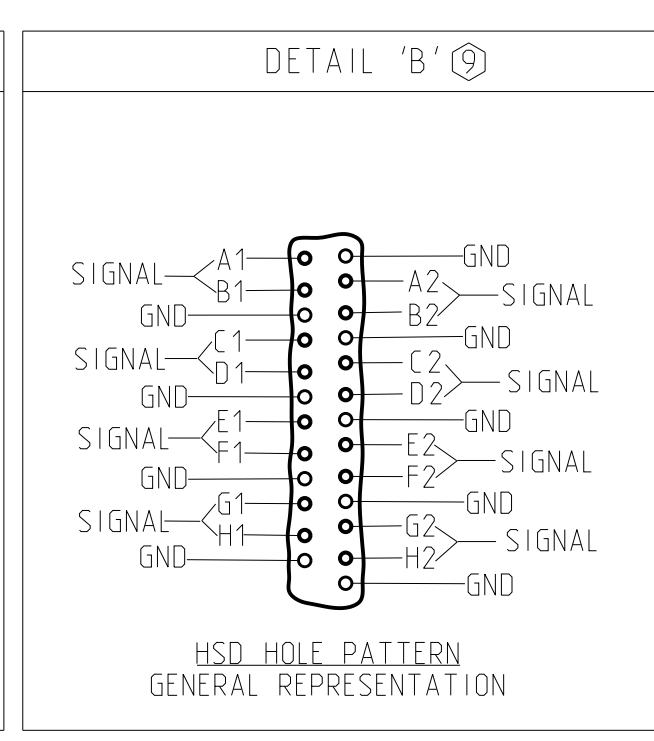
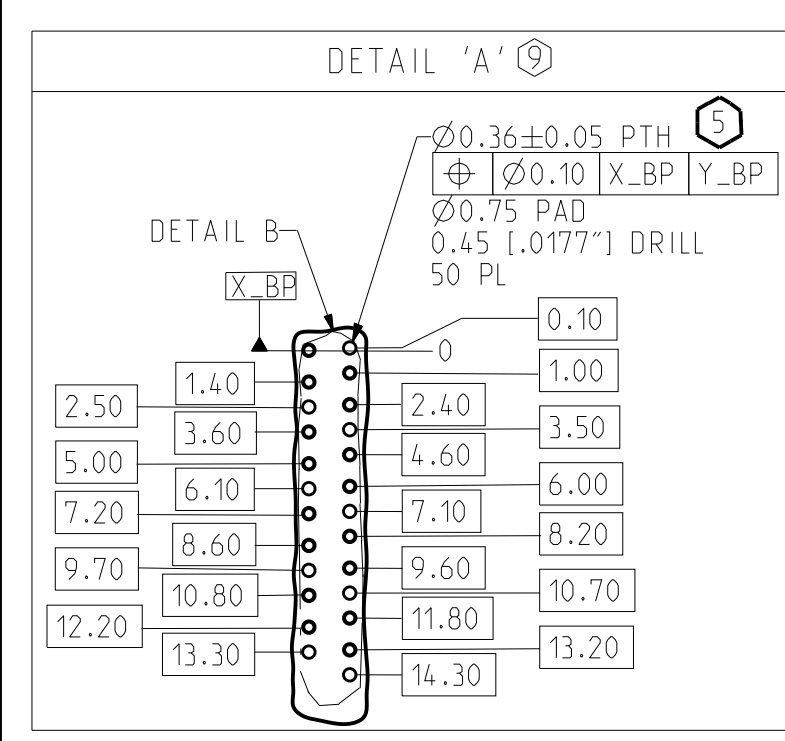
| | | | |
|---|---------------------------------|---|--------------|
| TOLERANCES | DESIGN 10/12/2022 J.LIU | <p>Amphenol TCS A Division of Amphenol Corporation 200 Innovative Way, Nashua, NH 03062 603.879.3000</p> <p>TITLE XCede HD DAUGHTERCARD ASSEMBLY 4 PAIR CONNECTOR, LEADFREE</p> <p>PART NO. JX410-51598</p> <p>DRAWING NO. C-JX410-51598</p> <p>CRED FILES JX410-51598.ASM JX410-51598.DRW</p> | REV A |
| 0.0 ±0.25 | DRAWN 10/12/2022 AUTO GENERATED | | |
| 0.00 ±0.13 | CHK 10/12/2022 J.LIU | | |
| 0.000 ± - | APVD 12/02/2022 J.LIU | | |
| ANGLES ± 3° | | | |
| UNLESS OTHERWISE SPECIFIED DIMENSIONS ARE IN MM AND DECIMAL MARKER IS A PERIOD. | | SCALE 1/1 | SHEET 1 OF 2 |



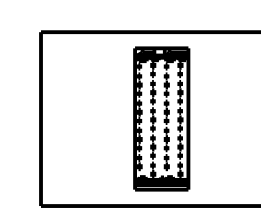
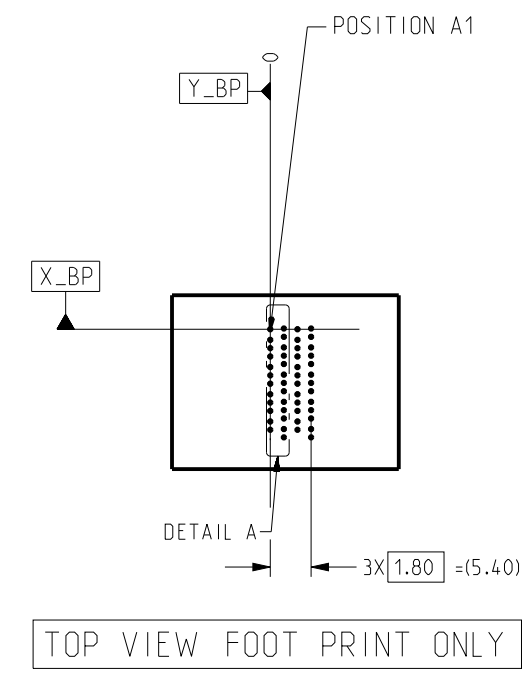
CUSTOMER USE DRAWING

AMPHENOL TCS/DC HD CONNECTOR/REVISION/REV001/2023

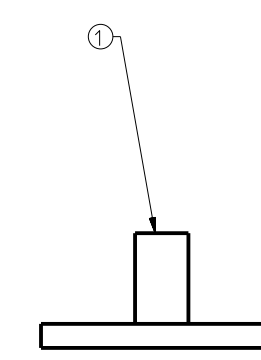
| REV | ECN | DESCRIPTION | BY | DATE | APPROVED |
|-----|-----|-------------|----|------|----------|
| | | SEE SHEET 1 | | | |



FOR REFERENCE ONLY; FOR SPECIFIC DETAILS, SEE C-USE DRAWINGS FOR BACKPLANE MODULES IN TABLE 2
BACKPLANE COMPONENTS MUST BE PURCHASED SEPARATELY AND MAY DIFFER FROM EXAMPLE SHOWN



TOP VIEW



FRONT VIEW

| ITEM | PART NUMBER | DESCRIPTION | QTY |
|------|--------------|---|-----|
| 1 | 923-400J-40H | XCede HD 4PAIR 4POS. OPEN, 3MM W IPE, .0177" DRILL, NANO NI, STD GOLD | 1 |

CUSTOMER: DISTRIBUTOR / XHD 4PAIR X 4, HSD 1000HMS

| TOLERANCES | DESIGN | DATE | DESIGNER |
|------------|--------|------------|----------------|
| 0.0 | ±0.25 | 10/12/2022 | J.LIU |
| 0.00 | ±0.13 | 10/12/2022 | AUTO GENERATED |
| 0.000 | ± - | 10/12/2022 | CHK J.LIU |
| ANGLES | ± 3° | 12/02/2022 | APVD J.LIU |

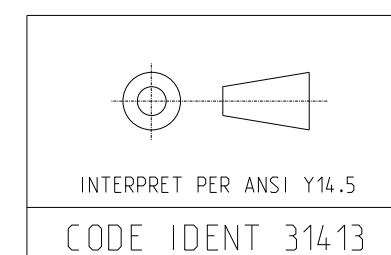
Amphenol TCS
A Division of Amphenol Corporation
200 Innovative Way, Nashua, NH 03062 803.879.3000

TITLE: XCede HD BACKPLANE ASSEMBLY
4 PAIR CONNECTOR, LEADFREE

PART NO. JX410-51598
DRAWING NO. C-JX410-51598

UNLESS OTHERWISE SPECIFIED DIMENSIONS ARE IN MM AND DECIMAL MARKER IS A PERIOD.

REV A



CUSTOMER USE
DRAWING

| | | | | | |
|------|---|-------|-----|-------|--------|
| SIZE | D | SCALE | 1/1 | SHEET | 2 OF 2 |
|------|---|-------|-----|-------|--------|